

**The Mozart with the Flare look!**

**When you can put a pixel anywhere, the world is your canvas!**

**RGBW LEDs with lenses like the famous Solaris Flare**

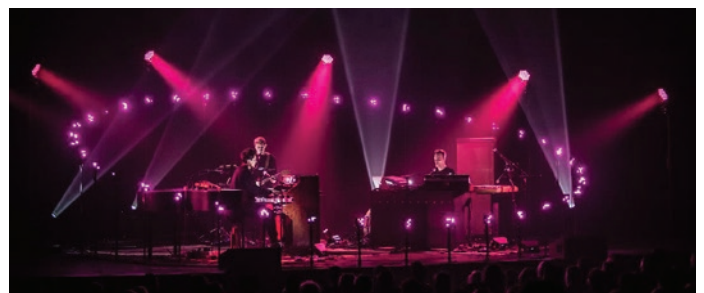


3 to 64 DMX channels per fixture, based on settings  
1, 4, or 16 "pixels" per fixture, based on settings  
Extremely compact 4.7 x 4.7 x 1.9 inches. Only 2.2 lb!

- Extreme brightness in a small package
- Great for low weight load-bearing structures and surfaces
- Moisture and dust resistant IP54 enclosure
- 1200 Hz refresh rate
- Single cable, simple power-data connections, daisy-chain or split – easily place a Mozart almost anywhere
- Easy remote addressing and mode switching via RDM



**KASMER**  
Diffusion/Filter Holder



**Worldwide Exclusive Distribution**

[sales@tmb.com](mailto:sales@tmb.com)

Los Angeles  
+1 818.899.8818

London  
+44 (0)20.8574.9700

**tmb**  
[www.tmb.com](http://www.tmb.com)

New York  
+1 201.896.8600

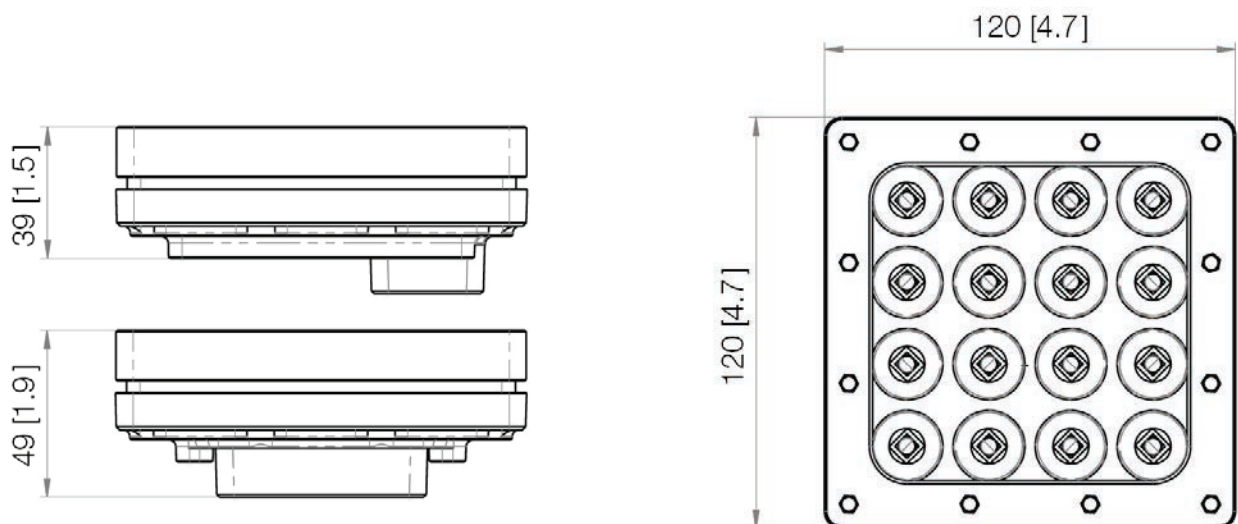
Beijing  
+86 10.8492.1587

Toronto  
+1 519.538.0888

Specifications	
Part Number	SOLMOZARTFLR
LED Light sources	16 CREE®
Pixels per fixture	1, 4, or 16
DMX Channels per fixture	3, 4, 12, 16, 48, or 64
Fixtures per Drive Output	8 max. in Normal Mode 5 max. in HiPower Mode
Beam Spread	36°
Color LEDs	RGBW
Average color wavelength (manufacturer rated)	red: 620-630 nm green: 520-530 nm blue: 450-460 nm
Refresh rate	1200 Hz
Intensity Control	8bit
Control	DMX-512A, RDM
DC Power	48V
Power Consumption	25W
Cooling	Convection
IP Rating	IP54
Operating Temperature	-20°C to +40°C
Control/Power Connectors	In/Out - Amphenol Sensor M12
Unit Dimensions (HxWxD)	4.7 x 4.7 x 1.9 in [120 x 120 x 49 mm]
Shipping Dimensions (HxWxD)	5 x 6.5 x 6.75 in [127 x 165 x 172 mm]
Unit Weight	2.20 lb [1.0 kg]
Shipping weight	2.45 lb [1.1 kg]

Ordering Codes	
Ordering Code	Item
SOLMOZARTFLR	Mozart FLR fixture
SOLMOKASMER	Kasmer w/diffusion sheet
PPMO10PSUP	PortableMount 1-Output Drive
PPMO40PSU	RackMount 4-Output Drive
ZMOZEXT3P5	Solaris Mozart cable, IP68, 5 ft
ZMOZEXT3P10	Solaris Mozart cable, IP68, 10 ft
ZMOZEXT3P25	Solaris Mozart cable, IP68, 25 ft
ZMOZEXT3P50	Solaris Mozart cable, IP68, 50 ft
ZMOZEXT3P100	Solaris Mozart cable, IP68, 100 ft
PP2RMKITLS	2U RackMount Kit for PortableMount Drive

Dimensions in Millimeters [inches]



Unified power and control for all Solaris Mozart fixtures over a single cable



PortableMount 1-Output Drive  
PPMO10PSUP



RackMount 4-Output Drive  
PPMO40PSU

## Specifications

Model	PortableMount 1-Output	RackMount 4-Output
Part Number	PPMO10PSUP	PPMO40PSU
Number of Mozart fixtures connected	10 max. depending on fixture	40 max. 10 per output depending on fixture
Control Protocol	DMX 512A + RDM	DMX 512A + RDM, ArtNet, sACN (E1.31)
DMX Connectors		In/Thru - XLR 5-pin M/F
Ethernet Connectors	N/A	2x Neutrik EtherCon RJ45
Power Input		100-240 VAC 50-60 Hz
Power Consumption	200 W max.	1200 W max.
Power Connectors	PowerCon 20A IN/THRU	PowerCon 20A IN
DC Power Out		24 VDC
Fixture Control/Power Connectors	1x Out - Amphenol Sensor M12	4x Out - Amphenol Sensor M12
Max. Fixture Cable Length	328 ft. [100 m] per output with fixtures at any interval.	
Cooling	Convection	Forced Air
Unit Dimensions (HxWxD)	4.7 x 8 x 10.7 in [120 x 202 x 272 mm] with yoke 3.4 x 8 x 10.7 in [87 x 202 x 272 mm] without yoke	19 x 3.5 x 12 in [482.6 x 88.1 x 304 mm]
Shipping Dimensions (HxWxD)	7.3 x 10.25 x 13.5 in [186 x 261 x 343 mm]	20.75 x 7.5 x 15.75 in [527 x 191 x 400 mm]
Unit Weight	9.85 lb [4.46 kg]	17.25 lb [7.8 kg]
Shipping Weight	10.65 lb [4.82 kg]	19.10 lb [8.6 kg]



## Worldwide Exclusive Distribution

sales@tmb.com

Los Angeles  
+1 818.899.8818

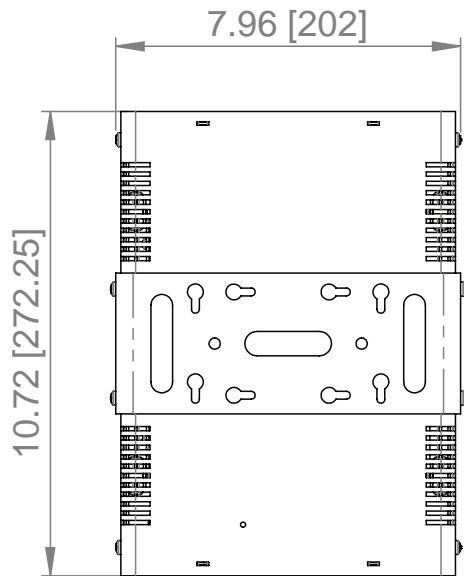
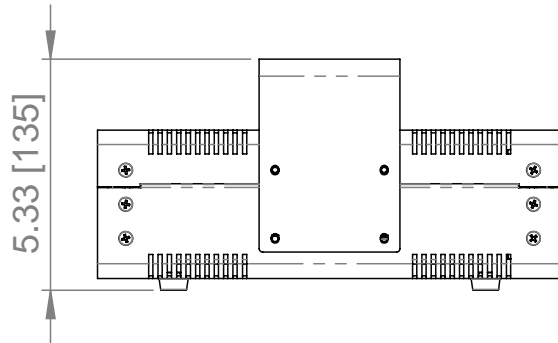
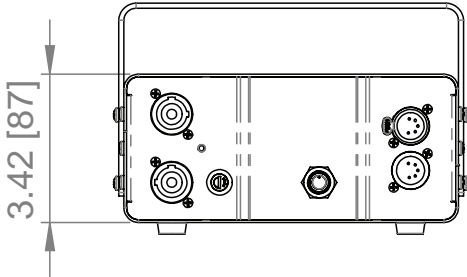
London  
+44 (0)20.8574.9700

**tmb**  
www.tmb.com

New York  
+1 201.896.8600

Beijing  
+86 10.8492.1587

Toronto  
+1 519.538.0888



Dimensions in inches [millimeters]

