

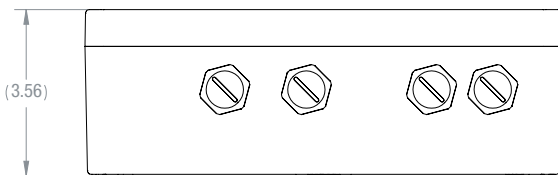
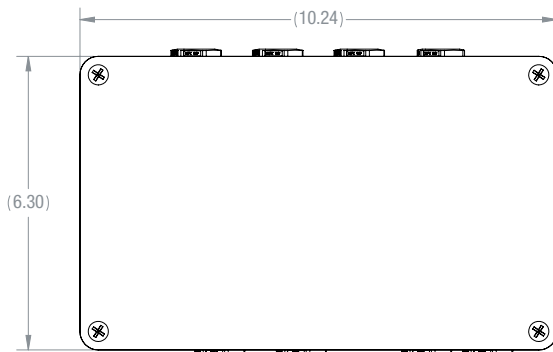

Specifications

Weight:	5.5lbs
---------	--------

DPI4WHYD

HIGHLIGHTS

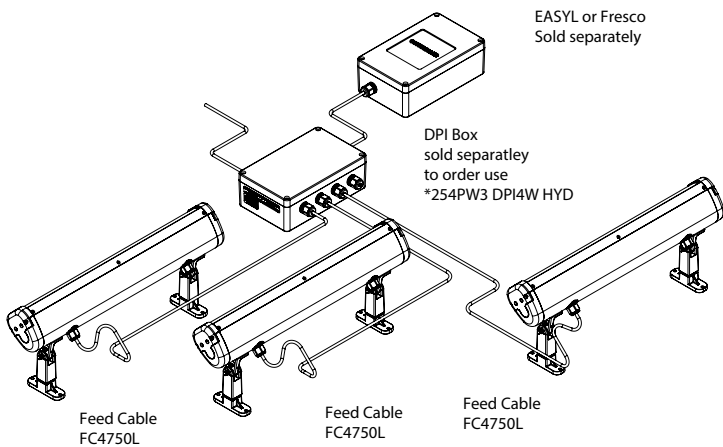
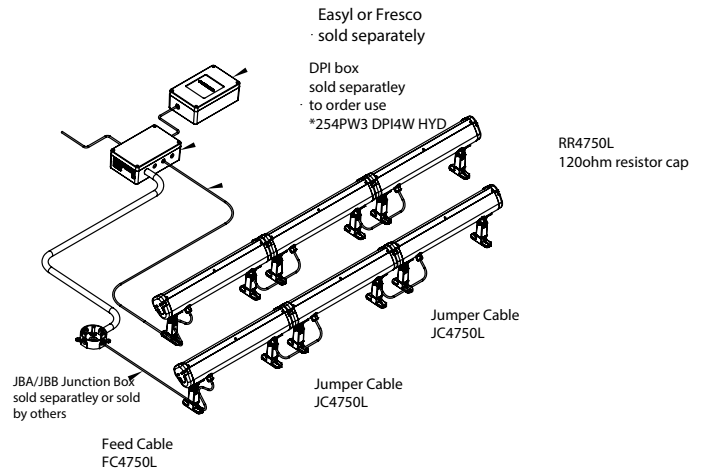
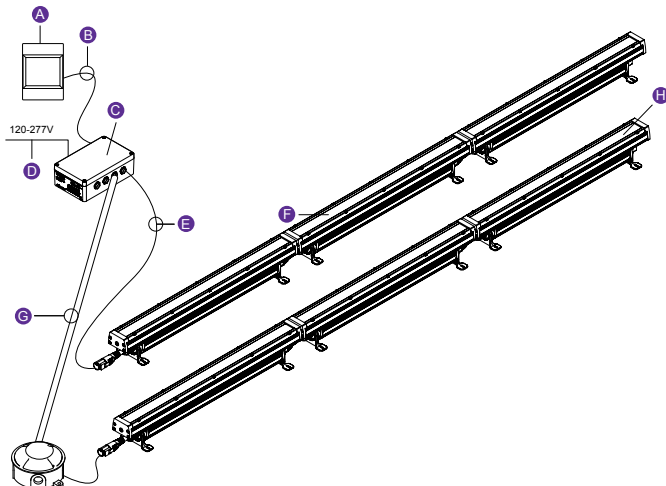
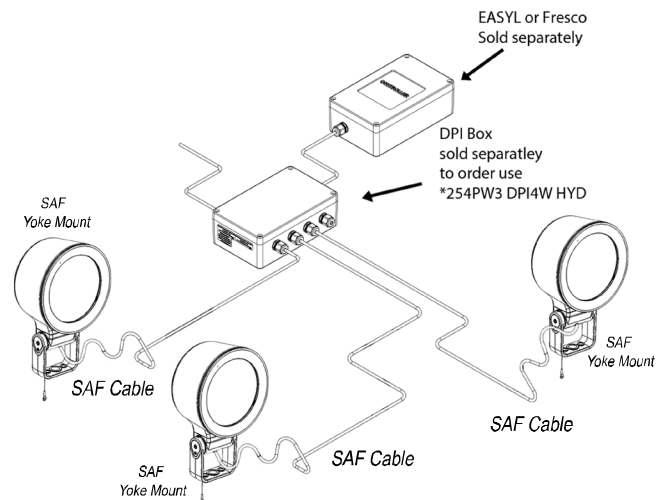
- Suitable for Wet Locations
- A maximum of 32 luminaires can be connected to a single output channel.
- The maximum length of cord and luminaire run combined is 1000' per channel and per DMX/RDM specifications
- Serves as a 4-channel splitter, up to 128 fixtures to be controlled from a single DPI box
- Provides necessary isolation between the DMX control and line voltage and should be used for all 4750L/4750LCR or Hyline 501/ Hycove 502 Static white, TUWH and RGBW or SAF RGBW and RGB installations


DIMENSIONS


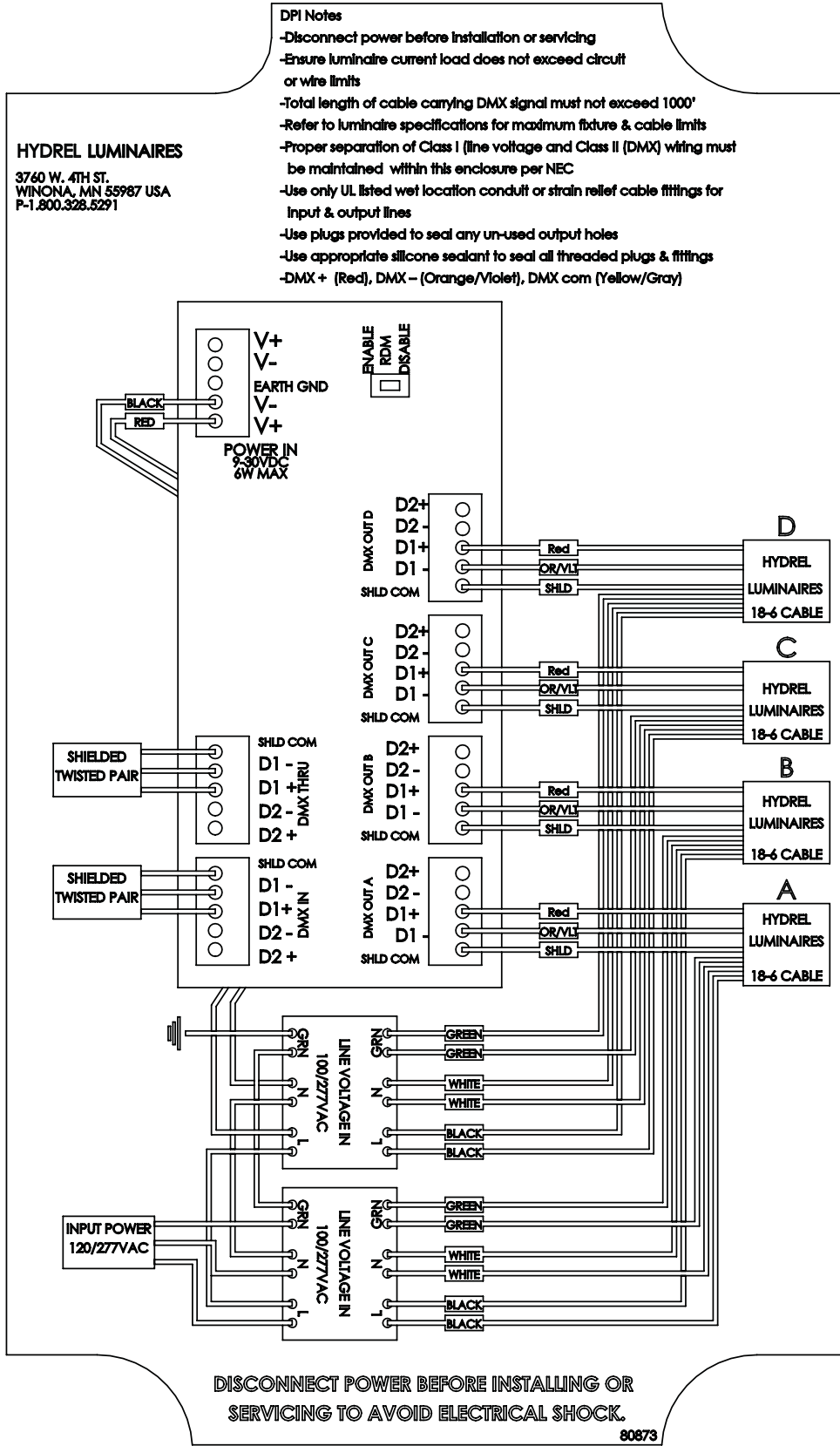
ORDERING INFORMATION
EXAMPLE: DPI4WHYD
Model
DPI4WHYD DPI box (Date Power Integration) is used to bundle DMX to line voltage and deliver them to the luminaire.

Environmental Information

Storage Temperature	40°F - 185°F
Start-up Temperature	13°F - 122°F
Operating Temperature	13°F - 122°F
Ingress Protection Rating	IP65
Environment	Suitable for indoor and outdoor applications

LAYOUT FOR 4750L INDIVIDUAL RUN AND 4750LCR CONTINUOUS RUN
INDIVIDUAL RUN LAYOUT

CONTINUOUS RUN LAYOUT

LAYOUT FOR HYCOVE 502 AND HYLINE 501 INDIVIDUAL RUN AND CONTINUOUS RUN

LAYOUT FOR SAF


WIRING DIAGRAM



SPECIFICATIONS AND FEATURES

VOLTAGE: 120V-277V input to DPI box. Metallic conduit and standard fittings are compatible as are multi-conductor cords.

CABLE: Feed cable connects junction box or DPI box with first fixture in a run. 14ga. conductors carry power, shielded 18ga. conductors carry data. Input end is stripped for connection to the junction box, output end includes a female or male plug for fixture connection. Also included with each feed cable is a sealing cap for the end of each run. (Contact factory for availability of custom feed cable lengths)

LISTING: UL 1598

BUY AMERICAN: This product is assembled in the USA and meets the Buy America(n) government procurement requirements under FAR, DFARS and DOT. Please refer to www.acuitybrands.com/resources/buy-american for additional information.

WARRANTY: 5-year limited warranty. Complete warranty terms located at: www.acuitybrands.com/support/customer-support/terms-and-conditions

NOTE: Actual performance may differ as a result of end-user environment and application. All values are design or typical values, measured under laboratory conditions at 25 °C. Specifications subject to change without notice.