

Product Description

The RGB LED Curved Cove Lights are designed for MRI suite applications with a non-ferrous assembly which can be mounted in recessed applications within the MRI room. Consult factory for custom shapes. Contains no on-board electronics therefore will not interfere with MRI imaging. Certified to meet MRI vendor EMI requirements. MRI applications require EMI free emissions for specific frequency bands. All drive circuitry employs linear regulation and no pulse width modulation (PWM*).



Performance Summary

- Input Power: 23 watts
- Limited Warranty: 3 years
- Lifetime: Designed to last 50,000 hours
- Dimming: Linear

Mechanical				
	Minimum	Typical	Maximum	Units
Package	-	LED Strip	-	-
Electrical Connection	-	Junction Box	-	-
Dimensions	-	6.75W x 6.375D	-	inches
Fixture Weight	-	21.5	-	lbs per Section

Electrical (per Section)				
	Minimum	Typical	Maximum	Units
Input Voltage	-	12	-	Vdc
Input Current	-	1.9	-	A
Input Power	-	23	-	W
Heat	-	78	-	BTU/h

Compliance				
	Minimum	Typical	Maximum	Units
IP	25	-	-	Dry Location
Regulatory	-	Listed	-	UL 2108 CSA 22.2#250.0
RoHS	-	Pending	-	2011/65/EU

Environmental				
	Minimum	Typical	Maximum	Units
Storage Temperature	-40	25	85	C
Operating Temperature	-20	25	35	C
Humidity	5	-	95	%
Lifespan	50000	-	-	Hours
Warranty	3	-	-	Years

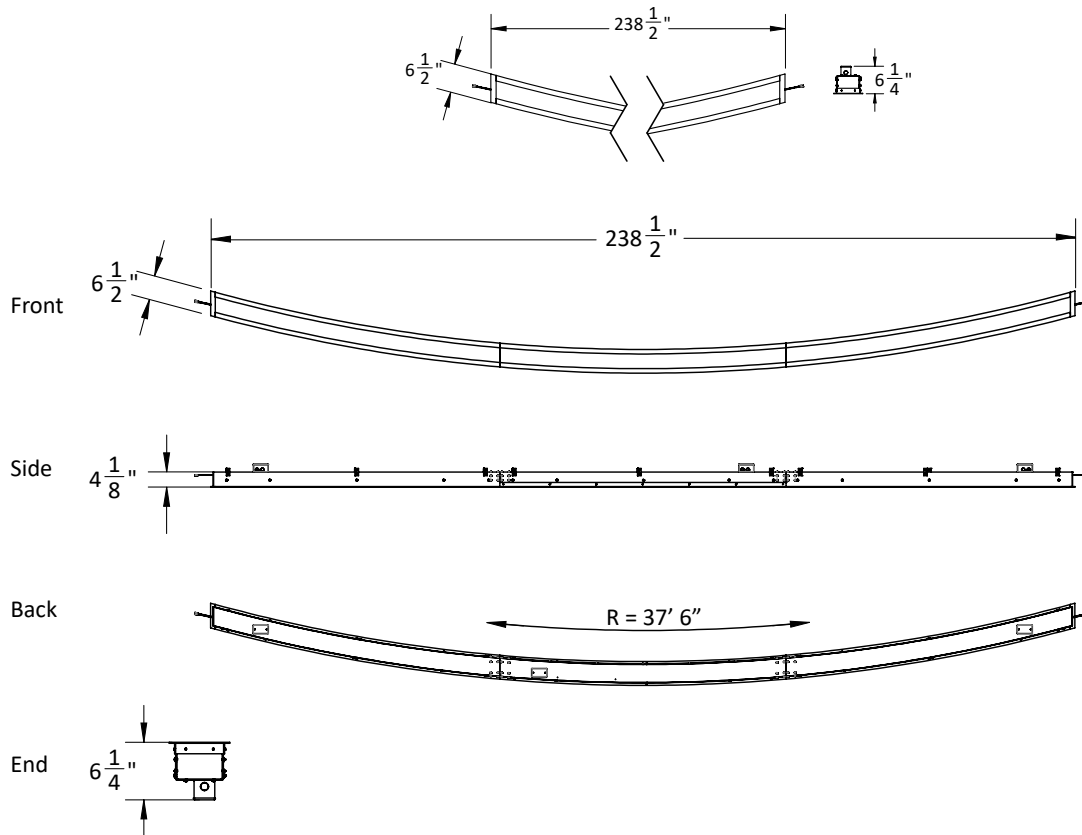
Installation Notes				
An Amico RF Filter is required for proper operation in the MRI suite				
An Amico Power Supply is required for proper operation in the MRI suite				
*PWM is known to cause image artifacts, audible noise and light flicker				

Ordering Information

Part Number	CCT
1-07-000011	

Photometric Data and IES Distribution

	Minimum	Typical	Maximum	Units
Luminous Intensity (Red)/LED	400	-	-	mcd
Luminous Intensity (Green)/LED	900	-	-	mcd
Luminous Intensity (Blue)/LED	300	-	-	mcd
Wavelength (Red)	-	620	-	nm
Wavelength (Green)	-	520	-	nm
Wavelength (Blue)	-	460	-	nm
Viewing Angle	-	120	-	deg

Mechanical Dimensions*


*For informational purposes only. Content subject to change.