

Client:

Project:

Type:

Order Code:

Quantity:

AL Dot AC is a direct view, RDM / DMX node, designed for low resolution graphics displays and individual dots of color. Available in a diffused flat, diffused dome, or clear lens, it also features an internal DMX + AC driver and all aluminum construction. It can be used indoor or outdoor and carries an IP66 outdoor rating.

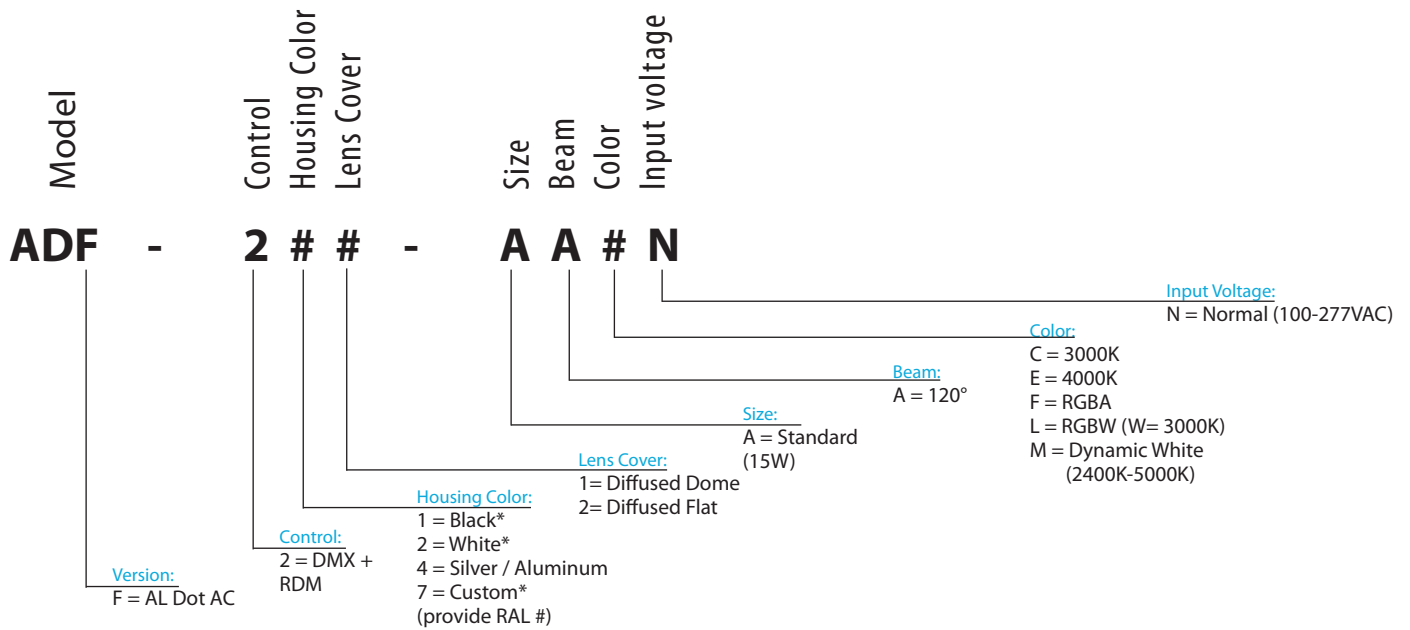
SPECIFICATIONS

Color	RGBW (W=3000K), RGBA, 3000K, 4000K, Dynamic White (2400K-5000K)
Available Lenses	Diffused Flat, Diffused Dome
Beam Angle	120°
Max Fixtures In Series	32 units via DMX-512
Total Lumens	447 (RGBW, Full On)
Control	DMX / RDM
Mounting	Mount directly onto 4" round electrical box
Power Consumption	15W
Operating Voltage	100-277VAC
Lumen Maintenance	L70 @ 150,000 Hours (25° C)
Finish	Silver
Housing Material	Aluminum body, acrylic top
Operating Temperature	-40°F to 123°F (-40°C to 50°C)
IP Rating	IP66, Wet Location
Fixture Connectors	10' (3m) AC + DMX in & out feed cable
Warranty	5 Years
Weight	TBD
Dimensions	4.25" ø x 5.11" H (108mm ø x 130mm H)

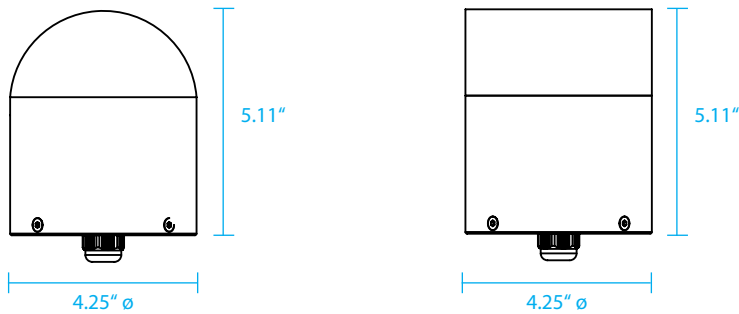
Certifications



ORDER CODES

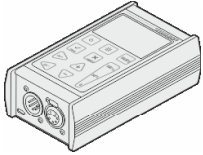


DIMENSIONS



RELATED COMPONENTS

Fixture Setup Accessories



XMT350
DMX + RDM Addressing and Testing Tool

WIRING

