

UVA-20144

Vancouver 19 Light Column



5x33w LED
5x1158 Lumens

IP65
Suitable for wet locations

IK08
Impact Resistant [Vandal Resistant]

Weight 150 lbs



RGBW

Construction

Aluminum

Less than 0.1% copper content – Marine Grade 6060 extruded & LM6 Aluminum High Pressure die casting provides excellent mechanical strength, clean detailed product lines and excellent heat dissipation.

Pre paint

8 step degrease and phosphate process that includes deoxidizing and etching as well as a zinc and nickel phosphate process before product painting.

Memory Retentive -Silicon Gasket

Provided with special injection molded "fit for purpose" long life high temperature memory retentive silicon gaskets. Maintains the gaskets exact profile and seal over years of use and compression.

Thermal management

LM6 Aluminum is used for its excellent mechanical strength and thermal dissipation properties in low and high ambient temperatures. The superior thermal heat sink design by Ligman used in conjunction with the driver, controls thermals below critical temperature range to ensure maximum luminous flux output, as well as providing long LED service life and ensuring less than 10% lumen depreciation at 50,000 hours.

Surge Suppression

Standard 10kv surge suppressor provided with all fixtures.

BUG Rating

Contact Factory

Finishing

All Ligman products go through an extensive finishing process that includes fettling to improve paint adherence.

Paint

UV Stabilized 4.9mil thick powder coat paint and baked at 200 Deg C. This process ensures that Ligman products can withstand harsh environments. Rated for use in natatoriums.

Hardware

Provided Hardware is Marine grade 316 Stainless steel.

Anti Seize Screw Holes

Tapped holes are infused with a special anti seize compound designed to prevent seizure of threaded connections, due to electrolysis from heat, corrosive atmospheres and moisture.

Crystal Clear Low Iron Glass Lens

Provided with tempered, impact resistant crystal clear low iron glass ensuring no green glass tinge.

Optics & LED

Precise optic design provides exceptional light control and precise distribution of light. LED CRI > 80

Lumen - Maintenance Life

L80 /B10 at 50,000 hours (This means that at least 90% of the LED still achieve 80% of their original flux)

Total urban realm lighting solution.

Optional heights, accent spotlights, accessories and decorative lattice panels.

A stylish Dark Sky Compliant square high performance light column with downward light distribution using LED lamps. This light column offers optimal visual comfort through glare control by utilizing a controlled optics designed by Ligman. These columns have a square design providing a unique wide light distribution, offering an architecturally appealing clover leaf pattern on the paving. The internal sides of the supporting pillars are accented by light from the LED.

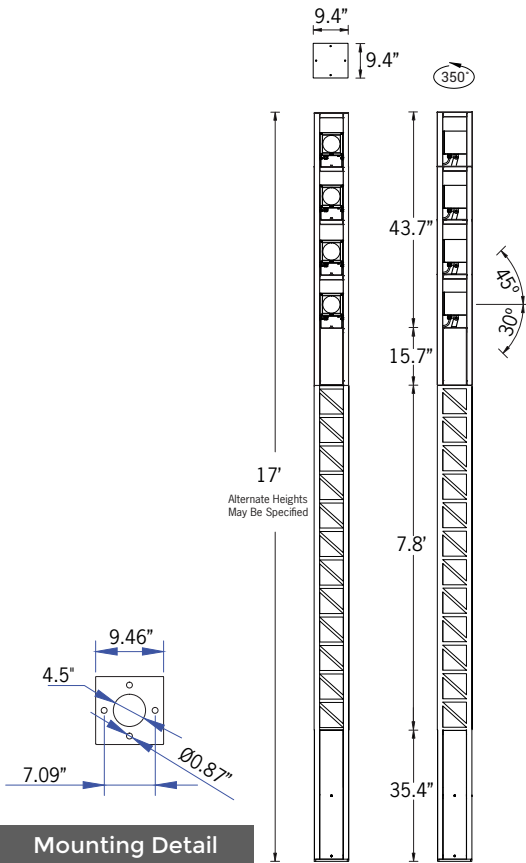
Color temperature 2700K, 3000K, 3500K and 4000K. The minimalistic shape provides distinctive lighting effects by night and decorative urban effect during the day. Suitable for pedestrian areas, precincts, building surroundings, shopping centers, squares and parks. The Vancouver Column comes standard with a unique waterproof internal driver housing compartment that is situated at the top of the pole to stop water and dust from entering the electrical components.

This fixture is supplied completely wired with powercord and waterproof gland from the driver enclosure to the base of the column to ensure quick trouble-free installation. The Vancouver has a specially designed anchor bolt mounting base that is partially buried below ground level to provide a flush fixture finish with the surface, but maintains the rigidity that is required when installing light columns. This ensures that the anchor bolts are not seen and therefore eliminates the necessity for an anchor bolt cover. (review installation instructions before installing the anchor bolts.)

Custom column heights are available, please specify. Provided with anchor bolts (the root mount kit is an option and is an adder)

Reduced custom wattages can be provided to suit customer requirements. (Specify total watt requirement per fixture) Designed to complement the Vancouver bollard UVA-10001. This product is provided complete with anchor bolts and laser cut steel bolt template.

• NOTE: For the round version of the Vancouver, please see the [Benton Light Column and Bollard](#)



Mounting Detail



UVA-20144

Vancouver 19 Light Column

PROJECT		DATE	
----------------	--	-------------	--

QUANTITY		TYPE		NOTE	
-----------------	--	-------------	--	-------------	--

ORDERING EXAMPLE || UVA - 20144 - 4x33w - M - RGBW30 - 02 - 120/277v - Options

UVA-20144					
LAMP	BEAM	RGBW COLOR	FINISH COLOR	VOLTAGE	
4x33w LED 4x1158 Lumens	N - Narrow 21° M - Medium 35° E - Elliptical 48° x 26°	RGBW30 - Warm White 3200K RGBW40 - Neutral White 4000K RGBW65 - Cool White 6850K	01 - BLACK RAL 9011 02 - DARK GREY RAL 7043 03 - WHITE RAL 9003 04 - METALLIC SILVER RAL 9006 05 - MATTE SILVER RAL 9006 06 - LIGMAN BRONZE 07 - CUSTOM RAL	120/277v Other - Specify	

--	--	--	--

ADDITIONAL OPTIONS

- NAT - Natatorium Rated
- DIM - 0-10v Dimming
- HGT - Custom Height (Specify)
- A20991 - Root Mount Kit
- GFCI - GFCI Box

Vancouver Product Family

Vancouver 1
 • UVA-20001-40w-2969lm [9.4'x9.4'-14.7']

Vancouver 2
 • UVA-20011-20w-1414lm [6.3'x6.3'-9.8']

Vancouver 3
 • UVA-10001-21w-1270lm [9.4'x9.4'-39.3']

Vancouver 4
 • UVA-10011-15w-837lm [6.3'x6.3'-39.3']

Vancouver 5
 • UVA-20021-39/21w-1336/1673lm [9.4'x9.4'-13.3']
 • UVA-20022-39/2x21w-1336/2x1673lm [9.4'x9.4'-14.5']
 • UVA-20023-39/3x21w-1336/3x1673lm [9.4'x9.4'-15.7']

Vancouver 6
 • UVA-20031-39/21w-1167/1673lm [9.4'x9.4'-13.3']
 • UVA-20032-39/2x21w-1167/2x1673lm [9.4'x9.4'-14.5']
 • UVA-20033-39/3x21w-1167/3x1673lm [9.4'x9.4'-15.7']

Vancouver 7
 • UVA-20041-39/21w-1670/1673lm [9.4'x9.4'-13.3']
 • UVA-20042-39/2x21w-1670/2x1673lm [9.4'x9.4'-14.5']
 • UVA-20043-39/3x21w-1670/3x1673lm [9.4'x9.4'-15.7']

Vancouver 8
 • UVA-20051-40w-1336lm [9.4'x9.4'-12.1']

Vancouver 9
 • UVA-20061-40w-1167lm [9.4'x9.4'-12.1']

Vancouver 10
 • UVA-20071-40w-1670lm [9.4'x9.4'-12.1']

Vancouver 11
 • UVA-10021-21w-570lm [9.4'x9.4'-39.3']

Vancouver 12
 • UVA-10031-21w-490lm [9.4'x9.4'-39.3']

Vancouver 13
 • UVA-10041-21w-704lm [9.4'x9.4'-39.3']

Vancouver 14
 • UVA-70001-8w-331lm [6.3'x6.3'-15.7']

Vancouver 15
 • UVA-70011-21w-815lm [9.4'x9.4'-15.7']