

UFUN-50022

Funen 3 Underwater Luminaire (Constant Voltage)



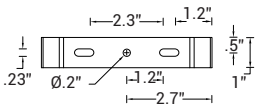
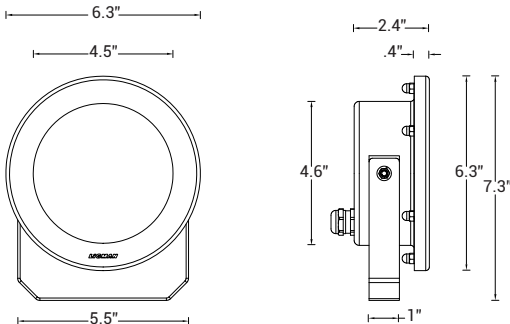
RGBW

15w LED - 1133 Lumens

IP68 • Suitable For Wet Locations

IK07 • Impact Resistant (Vandal Resistant)

Weight 3 lbs



Mounting Detail

Construction

Stainless Steel

Marine grade 316 stainless steel body

Luminaire Housing & Bracket

Marine grade 316 Stainless steel.

Memory Retentive -Silicon Gasket

Provided with special injection molded "fit for purpose" long life high temperature memory retentive silicon gaskets. Maintains the gaskets exact profile and seal over years of use and compression.

Thermal management

LM6 Aluminum is used for its excellent mechanical strength and thermal dissipation properties in low and high ambient temperatures. The superior thermal heat sink design by Ligman used in conjunction with the driver, controls thermals below critical temperature range to ensure maximum luminous flux output, as well as providing long LED service life and ensuring less than 10% lumen depreciation at 50,000 hours.

Surge Suppression

Standard 10kv surge suppressor provided with all fixtures.

Hardware

Provided Hardware is Marine grade 316 Stainless steel.

Crystal Clear Low Iron Glass Lens

Provided with tempered, impact resistant crystal clear low iron glass ensuring no green glass tinge.

Optics & LED

Precise optic design provides exceptional light control and precise distribution of light. LED CRI > 80

Lumen - Maintenance Life

L80 /B10 at 50,000 hours (This means that at least 90% of the LED still achieve 80% of their original flux)

Maximum Delivered Output Lumens 1133 (RGBW 4000K output, Narrow Beam)

High performing adjustable, surface mounted underwater spotlight range. The complete professional underwater system offering RGBW options and extensive source and optic combinations.

A high powered compact surface mounted LED underwater projector for lighting small ponds, waterfalls and water jets. The floodlight must be submerged when operating. Stainless steel grade 316 body, stainless steel screws. Cable entry PG.11 cable gland supplied with 7ft of outdoor submersible #18/3 SOOW 600v power cable. Durable high temperature memory retentive silicon gasket and clear tempered vandal resistant glass. Remote 24v constant voltage driver required to be installed by others. Driver output voltage to be determined depending on quantity of luminaires connected in parallel.

Color temperature 2700K, 3000K, 3500K and 4000K, LED CRI >80 and life time 50,000 Hours.

A variety of beam spreads are available to suit the application requirements. Maximum depth 5'. suitable for recessed mount. Recessing box in PVC is included.

Remote driver is included and required to be installed by others. Remote IP gear box by contractor. This luminaire is constant voltage and needs connecting in parallel.

Additional Options (Consult Factory For Pricing)



A80191
3" x 10" Remote Enclosure Box



A80291
4" x 10" Remote Enclosure Box



A52421
Honeycomb Louvre



UFUN-50022

Funen 3 Underwater Luminaire (Constant Voltage)



PROJECT	<input type="text"/>	DATE	<input type="text"/>
----------------	----------------------	-------------	----------------------

QUANTITY	<input type="text"/>	TYPE	<input type="text"/>	NOTE	<input type="text"/>
-----------------	----------------------	-------------	----------------------	-------------	----------------------

ORDERING EXAMPLE || UFUN- 50022 - 15w - W - RGBW30 - 120/277v

UFUN-50022	<input type="text"/>	<input type="text"/>	<input type="text"/>	<input type="text"/>
	LAMP	BEAM	RGBW COLOR	VOLTAGE
	15w LED 1133 Lumens	N - Narrow 11° M - Medium 17° W - Wide 32° VW - Very Wide 71° E - Elliptical 14° x 43°	RGBW30 - Warm White 3200K RGBW40 - Neutral White 4000K RGBW65 - Cool White 6850K	120/277v Other - Specify

<input type="text"/>	<input type="text"/>	<input type="text"/>	<input type="text"/>
----------------------	----------------------	----------------------	----------------------

ADDITIONAL OPTIONS

- A80191 - 3"x10" Remote Driver Enclosure Box
- A80291 - 4"x10" Remote Driver Enclosure Box
- A52421 - Honeycomb Louvre
- CBL - Custom Cable Length [Specify]



Funen Product Family

* (CV) - Constant Voltage



Funen 1

- UFUN-50002-4w-170lm (RGBW)
- UFUN-50003-4w-358lm (CV)



Funen 2

- UFUN-50012-10w-520lm (RGBW)
- UFUN-50013-8w-984lm (CV)



Funen 3

- UFUN-50022-15w-1133lm (RGBW)
- UFUN-50023-19w-2319lm (CV)



Funen 4

- UFUN-50032-20w-1929lm (RGBW)
- UFUN-50033-32w-4038lm (CV)