

Date: _____ Customer: _____
 Project: _____
 Type: _____ Qty: _____



Purelight LED Round

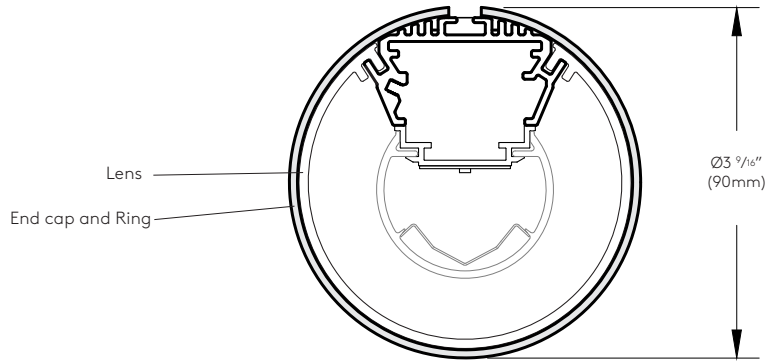


Order Code: PL9LR - SD

<u>PL9LR</u>	Series	PL9LR Purelight LED Round									
	Light Engine	1C45^{1,2} 80CRI-1126lm 90CRI-946lm 11.1W per foot	1C40^{1,2} 80CRI-1055lm 90CRI-887lm 9.9W per foot	1C35¹ 80CRI-945lm 90CRI-794lm 8.7W per foot	1C30¹ 80CRI-826lm 90CRI-694lm 7.3W per foot	1C25¹ 80CRI-657lm 90CRI-552lm 6.1W per foot	1C20¹ 80CRI-546lm 90CRI-459lm 4.9W per foot		¹ Values calculated from a 4' fixture at 3500K, 90+ CRI using DIM driver. ² Not available with Lutron		
	CCT	927 2700K 90+ CRI	930 3000K 90+ CRI	935 3500K 90+ CRI	940 4000K 90+ CRI	827³ 2700K 80+ CRI	830³ 3000K 80+ CRI	835³ 3500K 80+ CRI	840³ 4000K 80+ CRI	RGBW (consult factory)	³ Consult factory for lead times
<u>SD</u>	Shielding	SD Satine lens									
	Mounting	C Cable Mount		F Surface Mount (wall/ceiling)							
	Nominal Fixture Length	02 2 ft.	03 3 ft.	04 4 ft.	06 6 ft.	08 8 ft.	RUN⁴ Runs (over 8') available in nominal whole feet made of 3' and 4' sections		⁴ Runs only available with Cable Mount. Consult factory for Surface Mount Runs.		
	End cap Finish	WH White	BL Semi-Matte Black	SV Silver	PO⁵ Polished Clear Coated	SP Specify Premium Color				⁵ Consult factory for lead time ⁶ Custom colors are available, Please consult factory	
	Voltage	1 120V	2 277V	U 120V through 277V 50/60hz capable	3 347V (consult factory)						
	Driver	DIM⁶ 0-10V 1% (Linear)	DIL⁶ eldoLED 1% ECOdrive 0-10V (Logarithmic)	DED⁶ eldoLED 1% ECOdrive DALI (Logarithmic)	D01⁶ eldoLED 0.1% SOLOdrive 0-10V (Linear)	DL01⁶ eldoLED 0.1% SOLOdrive 0-10V (Logarithmic)				⁶ See page 5 for full details ⁷ 120V only	
	Fixture Options	DC2^{6,7} Lutron 1% 2-Wire	DE1⁶ Lutron 1% Eco-System	DC3 Lutron 1% 3-Wire (consult factory)	DL⁸ Damp Location Rated		FS⁸ In-line Fuse		SS⁸ Separate Switching	⁸ See page 6 for details	
	Dimming Options	DMT Lutron T-Series for Quantum or Athena Controls Only (consult factory)							⁹ See page 6 for full details		
	Emergency Options	EC⁹ UL924 Compliance for Emergency (consult factory) Wiring		EMR Remote Micro Inverter							

*back rail finish to match end cap finish except for PO. For PO end caps, back rail standard finish will be White.





Construction:

Housing - White powder coated, low copper 6063-T6 extruded aluminum profile available as Individual fixtures (up to 8') or Runs.

Geartray - Low copper 6063-T6 extruded aluminum profile.

Shielding - Round Satine lens with diffusion optics provides luminous lines of diffuse light. Lens made from impact resistant PMMA (acrylic).

End Cap - Die cast aluminum end cap, powder coated or polished, clear coated finish, designed for toolless access to the geartray (cable mount).

Mounting(s) - 1/8" Aircraft Cable (48" maximum from ceiling to top of fixture), Surface mounting (wall or ceiling).

**Cables are adjustable for individual fixtures, however Cable and Wall mountings may not be symmetrical for Runs due to the use of modular housing lengths. If symmetrical suspensions are required please consult the factory.

Standard Luminaire lengths - All standard luminaires are supplied in nominal lengths to ensure full, even, illumination.

**Individual luminaires are not joinable in the field.

Runs - Runs (over 8') are available in 1' increments (made up of 3' and 4' sections) for cable mount fixtures. There will be a joiner ring every 3' or 4' depending on the length. Cables are fixed to rings. For Runs with wall or surface mount, consult factory.

Weight - 1.8 lb. per ft.

Electrical/Performance:

LED Light Engine - LED Light Engine - Brand-name mid-power LEDs create a high efficiency LED light engine able to provide a lumen maintenance of 95% at 25,000 hours and 90% at 60,000 hours at 25°C per TM-21 reports. Reported L70 greater than 60,000 hours.

Photometrics - Consult website or factory for IES Files. Independent photometric lumen measurement complies with IES LM-79-08 testing procedures. Due to the LED manufacturer's tolerances, the listed output has a ±5% tolerance. For outputs based on different optics or CCT, please see page 7 for details.

CCT - Available in 2700K, 3000K, 3500K and 4000K, tolerance within a 3-step MacAdam ellipse. For 2700K-6500K color tuning, see Purelight LED My White spec sheets.

CRI - 90+ and 80+ CRI. Consult factory for lead times of 80 CRI.

All Drivers - High efficiency, constant current, soft start, Electronic Class 2 with a PFC>0.90. For more detailed information on the available drivers please see page 5.

Thermal Performance:

Ambient Operating Temperature - Luminaires are suitable for maximum ambient temperature of 35° C (95° F) for all drivers.

Luminaires are suitable for minimum ambient temperatures of: -40°C (-40°F) for DIM, DIL, DED, D01, and DL01 driver; 0°C (32°F) for DC2 and DE1 drivers.

Luminaire Finish:

Powder Coat - All Selux luminaires are finished in high quality polyester powder coating in our Tiger Drylac certified facility and are tested in accordance with test specifications for coatings from ASTM and PCI.

All products undergo a five stage intensive pretreatment process where product is thoroughly cleaned, phosphated, and sealed. Selux powder coated products provide excellent salt and humidity resistance as well as ultra violet resistance for color retention.

Standard interior color for Purelight LED is White (WH), Semi-Matte Black (BL), and Silver (SV). Polished clear coated (PO) or Selux premium colors (SP) for end cap finish are available, please specify from your Selux color selection guide.

Warranty:

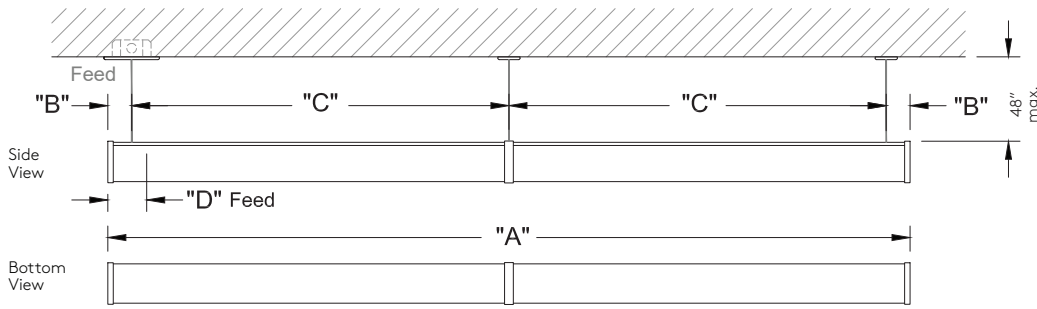
5 Year Limited LED Luminaire Warranty - Selux offers a 5 Year Limited Warranty to the original purchaser that the Purelight LED luminaire shall be free from defects in material and workmanship for up to five (5) years from date of shipment. This limited warranty covers the LED driver and LED light engine when installed according to Selux instructions and operated within the Ambient Temperature. For additional details and exclusions, see "Selux Terms and Condition of Sale."

Certifications and Compliance:

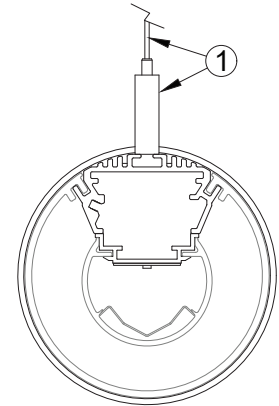
NRTL - For Dry and Damp location
(I.E. cULus; cCSAus)

ARRA Compliant
ADA Compliant
RoHS Compliant

Cable Mounting (C) - 6', 8' & RUNS

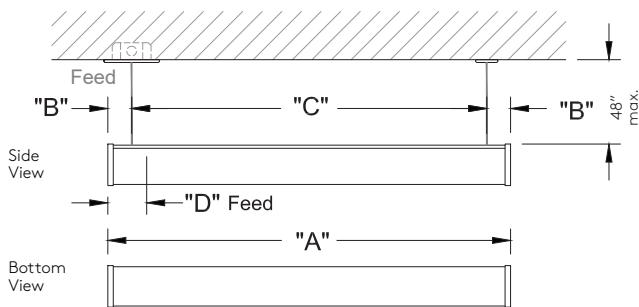


Cable Mounting (C)



1. Ø1/16" Aircraft Cable with chrome gripper for easy adjustment. (48" max. from ceiling to luminaire)

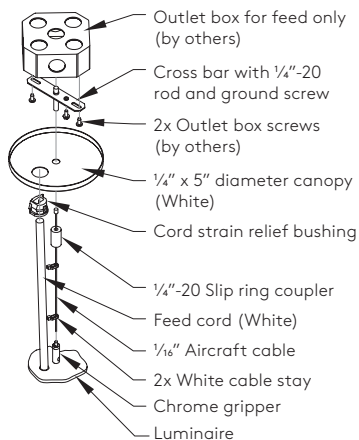
Cable Mounting (C) - 2', 3' & 4'



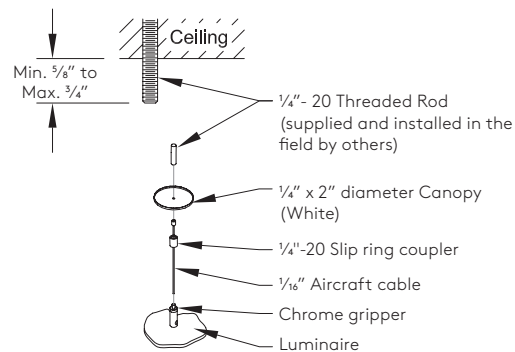
Cable (C) Mounting - Dimensions								
Nominal Length	"A" Housing Length		* "B" (Ref.) End Suspensions		"C" Mid. Suspension		"D" Feed Location	
	Feet/Inch	MM	Feet/Inch	MM	Feet/Inch	MM	Feet/Inch	MM
02 (2 ft.)	2' - 5/16"	618	0' - 1 3/16"	34	1' - 0"	550	0' - 2 5/16"	64
03 (3 ft.)	3' - 5/16"	922	0' - 2 3/16"	54	2' - 8"	814	0' - 3 1/2"	84
04 (4 ft.)	4' - 5/16"	1227	0' - 2 3/16"	54	3' - 8"	1119	0' - 3 1/2"	84
06 (6 ft.)	6' - 5/16"	1837	0' - 2 3/16"	54	2' - 10"	864	0' - 3 1/2"	84
08 (8 ft.)	8' - 5/16"	2446	0' - 2 3/16"	54	3' - 10"	1169	0' - 3 1/2"	84

*Dimension(s) rounded to the nearest 1/16" with a ± 1/16" (1mm) tolerance.

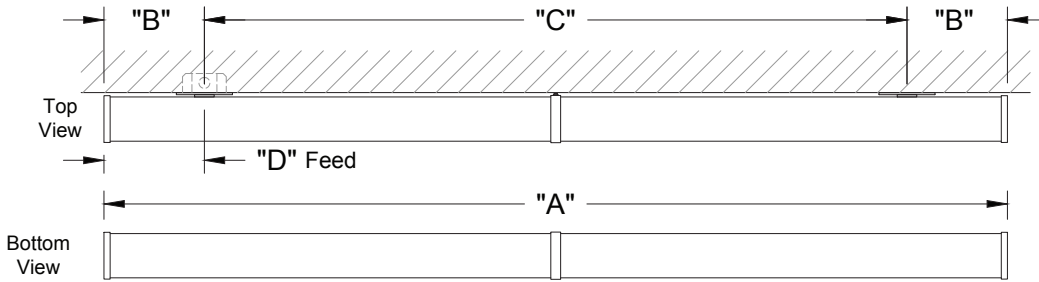
PL9LR Cable (C) Suspension Detail (Feed location(s) only)



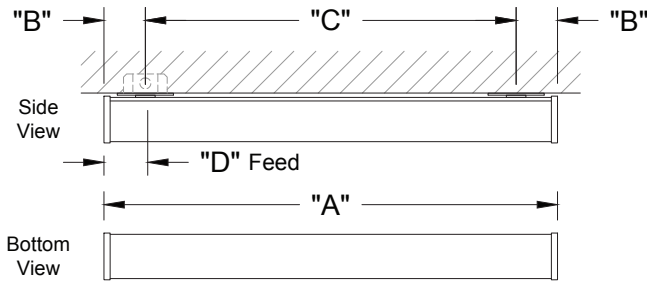
PL9LR Cable (C) Suspension Detail (Non-Feed location(s) only)



Surface (F) Mounting (Wall/Ceiling) - 6', 8' & RUNS



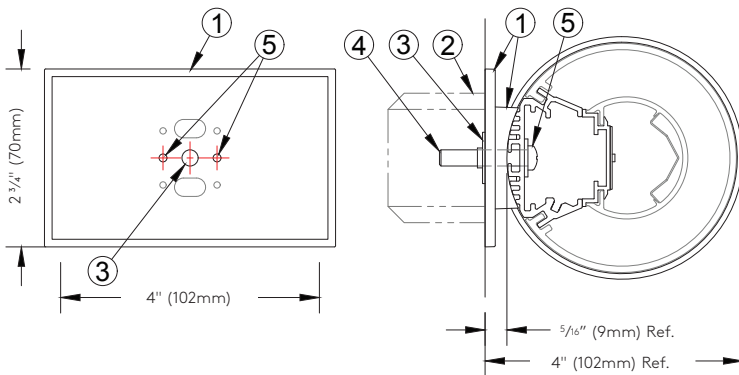
Surface (F) Mounting (Wall/Ceiling) - 2', 3' & 4'



Surface (F) Mount - Dimensions								
Nominal Length	"A" Housing Length		* "B" (Ref.) End Suspensions		"C" Mid. Suspension		"D" Feed Location	
	Feet/Inch	MM	Feet/Inch	MM	Feet/Inch	MM	Feet/Inch	MM
02 (2 ft.)	2' - 5/16"	618	0' - 2 1/8"	54	1' - 8 1/16"	510	0' - 2 1/8"	54
03 (3 ft.)	3' - 5/16"	922	0' - 3 5/16"	84	2' - 5 11/16"	754	0' - 3 5/16"	84
04 (4 ft.)	4' - 5/16"	1227	0' - 3 5/16"	84	3' - 5 11/16"	1059	0' - 3 5/16"	84
06 (6 ft.)	6' - 5/16"	1837	0' - 8 1/16"	204	4' - 8 1/4"	1429	0' - 8 1/16"	204
08 (8 ft.)	8' - 5/16"	2446	0' - 8 1/16"	204	6' - 8 1/4"	2038	0' - 8 1/16"	204

*Dimension(s) rounded to the nearest 1/16" with a ± 1/16" (1mm) tolerance.

Surface Mount (Wall/Ceiling)
(cover a 2x4 J-box only)



1. Aluminum wall bracket (by Selux).
2. 2"x4" J-box at feed location (supplied and installed by others).
3. 1/4"-20 Threaded Cross Bar (by Selux).
4. 1/4"-20 Phillips screw wall mount (by Selux).
5. M5 x 12 Screw and lock washer (by Selux).

For full details refer to the installation instructions.

Drivers:

0-10V linear dimming (DIM)

Luminaires supplied with drivers offering the capability of either normal switched operation of 0-10V dimming for linear dimming curve. Fixtures ship wired for dimming. For on/off functionality, simply cap the dimming leads. Minimum dimming level preset at factory to 1%. (Due to size constraints, 1' side length luminaires are supplied with a driver from a different manufacturer than 2' and above luminaires. For details, please consult factory).

0-10V logarithmic eldoLED ECOdrive dimming (DIL)

Luminaires supplied with drivers offering the capability of either normal switched operation of 0-10V dimming for logarithmic dimming curve. Fixtures shipped wired for dimming. For on/off functionality, simply cap the dimming leads. Minimum dimming level preset at factory to 1%.

eldoLED ECOdrive DALI dimming (DED)

Luminaires supplied with ECOdrive DALI dimming driver with logarithmic dimming curve. Minimum dimming level preset at factory to 1%. For "dim to dark" (down to 0.1%), please consult factory.

eldoLED SOLOdrive 0-10V linear dimming (D01)

Luminaires supplied with SOLOdrive 0-10V dimming driver with linear dimming curve. Minimum dimming level preset at factory to 0.1% and "dim to dark".

eldoLED SOLOdrive 0-10V logarithmic dimming (DL01)

Luminaires supplied with SOLOdrive 0-10V dimming driver with logarithmic dimming curve. Minimum dimming level preset at factory to 0.1% and "dim to dark".

LUTRON 2-wire dimming (DC2)

Luminaires supplied with Hi-Lume 2-wire dimming driver (120V only) programmed for Constant Current Reduction (CCR). For Pulse Width Modulation (PWM) dimming, please consult factory. Minimum dimming level down to 1%.

LUTRON EcoSystem dimming (DE1)

Luminaires supplied with Hi-Lume EcoSystem (4 wire, digital link) dimming driver programmed for Constant Current Reduction (CCR). Minimum dimming level down to 1% with SoftOn/FadeToBlack.

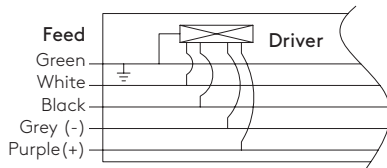
*For control recommendations, please contact driver manufacturer.

Driver Quantity						
	2 ft.	3 ft.	4 ft.	6 ft.	8 ft.	RUN
All drivers	1	1	1	2	2	Approximately 1 driver per 4 ft. (Consult Factory for DC2, DE1 and DC5 drivers)

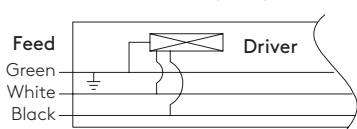
*For inrush and control current, please refer to the driver manufacturers' spec sheets.

Wiring Diagrams

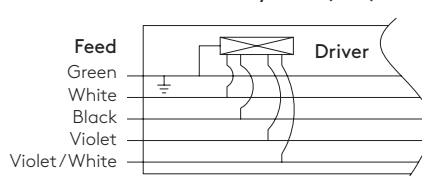
- 0-10V linear (DIM)
- 0-10V logarithmic eldoLED ECOdrive (DIL)
- DALI logarithmic eldoLED ECOdrive (DED)
- 0-10V linear eldoLED SOLOdrive (D01)
- 0-10V logarithmic eldoLED SOLOdrive (DL01)



Lutron 2-Wire (DC2)



Lutron EcoSystem (DE1)



Standard Wiring supplied for all drivers	Green = Ground White = Neutral Black = Hot
- The following wire(s) are in addition to the standard above -	
DIM, DIL, DED, D01, DL01	Gray = (-) DALI or 0-10V Dimming Control Purple = (+) DALI or 0-10V Dimming Control
DC2	No additional wires
DE1	Violet = "E1" Digital Link Dimming Control Violet/White = "E2" Digital Link Dimming Control

Fuse (FS) - fusing, luminaires supplied with a in-line fuse located on the hot wire for each feed. (supplied with an 8A slow burn fuse).

Damp Location (DL) - Luminaires are suitable for use in damp location(s). Examples of such locations include protected areas under canopies, marquees, roofed porches, and similar locations where the fixture(s) are protected from direct contact with rain, snow, or excessive moisture (such as ocean spray). Interior locations include areas subject to moderate degrees of moisture, such as basements and certain barns and cold storage buildings.

Separate Switching (SS) - luminaires available with separately switched 3' or 4' (nominal) sections starting at 6' and up. Luminaire is intended to be wired to the same panel/breaker (not intended for Emergency use).

* All separately switched (non-EM) circuits within an individual luminaire, linear run, or configuration must be connected to the same branch circuit on-site.

* To specify this option, the number of separately switched sections and locations of these sections must be provided at time of order.

* If the project requires different separate switching than outlined above please consult the factory.

Emergency Circuit (EC) - luminaires with (EC) option compliant to UL 924 listed emergency luminaire. EC luminaires are intended to be wired to separate panels/breakers for emergency use. See install instructions for proper wiring

-For 1' to 6' nominal luminaires, the entire fixture is wired for operation on emergency circuit.

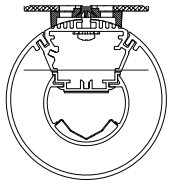
-For 7' and up nominal luminaires, the first 3' or 4' nominal length is wired for operation by a separate EM circuit by default to meet the required "Life Safety Code" (NFPA 101).

*If a different configuration is needed please consult the factory.

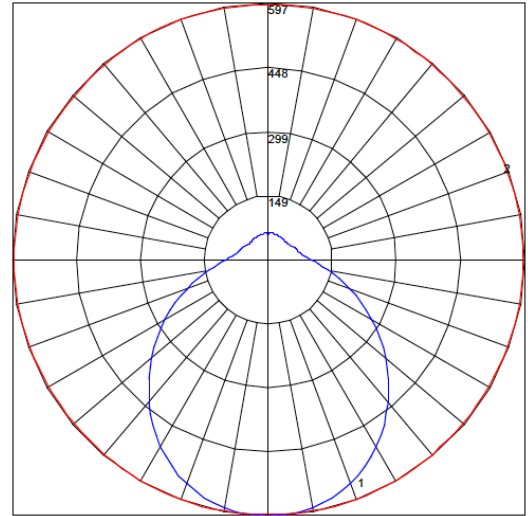
Note: wiring may vary slightly due to on-site conditions or local codes. Please follow all safety installation protocols contained within install instructions when installing luminaires.

Photometry:

SD Optics / 35W LED / 3500K CCT



Catalog #: PL9LR-1C35-935-SD-X-04-XX-UNV
 Report #: 11685005.01
 Delivered Lumens: 3254
 Input Watts: 34.6
 Efficacy: 94 lm/W
 CCT: 3500K
 CRI: 93



Maximum Candela = 597.372 Located At Horizontal Angle = 67.5, Vertical Angle = 2.5
 # 1 - Vertical Plane Through Horizontal Angles (67.5 - 247.5) (Through Max. Cd.)
 # 2 - Horizontal Cone Through Vertical Angle (2.5) (Through Max. Cd.)

Purelight Round	
CCT Multiplier	
4000K	1.05
3500K	1.00
3000K	0.96
2700K	0.92
CRI Multiplier	
90+ CRI	1.00
80+ CRI	1.19

CCT multipliers apply to the photometry, IES files, and per foot values listed on page 1 (light engine).

Light engine and lens multiplier supplied for per foot values listed on page 1 (light engine).