

Date: _____ Customer: _____

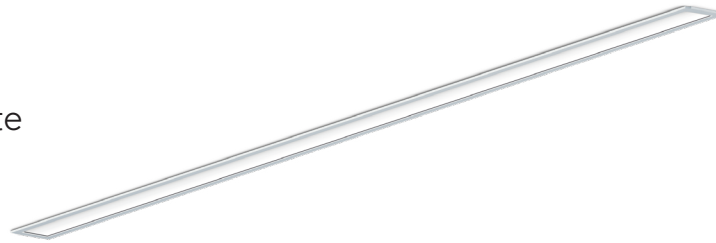
Project: _____

Type: _____ Qty: _____



M36 My White

LED Recessed Tunable White



Order Code: _____ - **1A32** - **TW** - _____ - _____ - _____ - _____ - _____ - _____ - _____ - _____ - _____ - _____

| | | | | | | |
|-------------|--------------------------------|--|---|---|--|--|
| Series | L36 Multi-Mount Form | L36R1 Continuous Flange (Flanged End caps) | L36R2 Continuous Flange (Flangless End caps) | | | |
| 1A32 | Light Engine | 1A32¹ 695lm/9.95W per foot | | | | ¹ Values calculated from a 4' fixture with CLL using LW Shielding and DMD driver. For additional information please see page 2. |
| TW | CCT | TW Tunable White - 2700K through 6500K 90+ CRI | | | | |
| | Shielding | LW LED Optimized white lens | MI Clear Lens w/microprism | NB LMO Symmetric | A2 LMO Asymmetric 20° Wall Washer | A5 LMO Asymmetric 5° Wall Grazer |
| | Mounting L36 | SF1 Spackle Flange (½" Drywall) | SF2 Spackle Flange (¾" Drywall) | SF3 Spackle Flange (After Drywall) | SG Slot Grid (¾" Wire Suspension or ¼"-20 stud) | DC Decoustic Ceiling (up to 2" thick) |
| | Mounting L36R1 or L36R2 | TB² T-Bar Length with suspension clips | TBS² T-Bar Length with 1" ¼"-20 Stud | RC Rotating Crossbar (Ceilings ¼" to 2" thick) | TS 1" ¼"-20 Stud | ² L36R1 only |
| | Nominal Fixture Length | 02³ 2 ft. | 03 3 ft. | 04³ 4 ft. | 05³ 5 ft. | 06³ 6 ft. |
| | | 07 7 ft. | 08³ 8 ft. | XX Runs (over 8'), round up to the nearest foot and replace the "xx" with the # (i.e. 09=09' nominal) | | ³ Length intended to fit centered between the grid for SG, TB, TBS mountings. |
| | Finish | WH White | BL Semi-Matte Black | SV Silver | SP Specify Premium Color | [*] Custom colors are available, please consult factory |
| | Voltage | 120 120V | 277 277V | UNV 120V through 277V 50/60hz capable | | |
| | Fixture Options | DL⁴ Damp Location Rated | FS⁴ In-line Fuse | SS^{4,5} Separate Switching | CCEA⁴ CCEA approved | WC⁶ Wall Controller Connections |
| | Dimming Options | DMW⁷ eldoLED 1% DUALdrive DALI (Linear) | DMX⁷ eldoLED POWERdrive DMX (Linear) | DLL⁷ eldoLED DALI (Logarithmic) Dimming (Linear) CCT balance | DTW⁷ eldoLED SOLOdrive 0-10V LightShape(Linear) | DMT Lutron T-Series for Quantum or Athena Controls Only (consult factory) |
| | Emergency Options | EC⁸ Emergency Circuit Wiring | | | | ⁸ See page 9 for full details and restrictions |

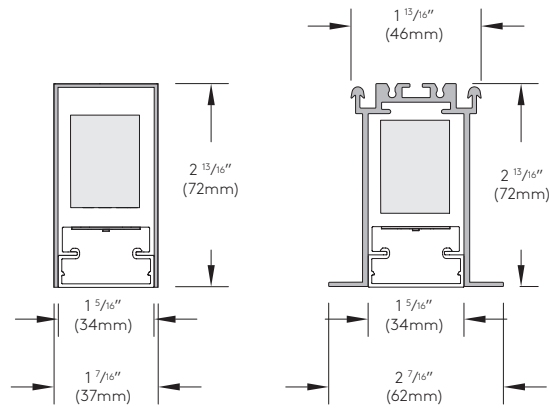
Product Modifications

Please list modification requirements for review by factory:

Approvals



Date: _____



Construction:

Housing - Continuous, low copper 6063-T6 extruded aluminum profile with aluminum endcaps, available as Individual fixtures (up to 12') or Runs.

Flange - 9/16" (14mm) wide flange runs full lengths of both sides and is part of the main extruded body. Specify continuous flange (L36R1) or flush (L36R2) end cap. L36R2 does not work in T-Bar ceiling.

Geartray - Low copper 6063-T6 extruded aluminum profile.

Shielding - Extruded, impact resistant acrylic lens:

- LED Optimized White Lens (LW)
- Clear Lens with Microprism Inlay (MI)
- "LMO" Symmetric Lens (NB)
- "LMO" Asymmetric 5° Wall Grazer (A5)
- "LMO" Asymmetric 20° Wall Washer (A2)
- "LMO" Batwing (BW)

As a result of the color mixing LEDs, LW lens is recommended for the most uniform illumination, other lenses may allow the separation of colors to be visible

Mounting(s) - Spackle in (drywall), Slot grid, Decoustic, T-bar grid, Rotating Crossbar and Threaded Stud Mountings (see pages 3 through 6 for details).

Standard Luminaire lengths - All standard luminaires are supplied in nominal lengths to ensure full, even, illumination. Runs are available in approximately 1' increments starting at the nominal 8' fixture length.

**Individual luminaires are not joinable in the field.

Exact length luminaires - Individual luminaires and runs are available in exact lengths to meet your project needs. Please consult factory with your requirements.

**Lens luminance may soften at the very ends of the straight sections for exact length luminaires.

M36 Joiner(s) - Runs are supplied with multiple housings that are joined together in the field using the supplied M36 Joiner System. This allows ease of installation and ensures a uniform appearance (see page 8 for detail).

Electrical/Performance:

Constant Lumen Level (CLL) Curve - Selux recommends utilizing the Constant Lumen Level (CLL) curve for the MyWhite product. This is achieved using an algorithm programmed into the controls for driving the two channels of the driver simultaneously so that while adjusting the CCT, the lumen output remains the same. For recommended controls for CLL, please consult Selux.

Max Output - An alternate way to control the output is by having each channel of the driver controlled individually while changing the CCT. Controlling the channels individually can result in a higher lumen level (see chart on Photometry page).

LED Light Engine - Brand-name mid-power LEDs create a high efficiency LED light engine with a reported luminous flux maintenance at 60,000 hours of 86% based on LM-80 test reports. The rated lumen maintenance life is L70 (10k) > 60,000 hours. Luminous flux values calculated in accordance to TM-21 procedures based on LM-80 compliant reported measurement data. For Title 24 compliant model numbers, please consult factory.

Photometrics - Consult website or factory for IES Files. Photometric lumen measurement complies with IES LM-79-08 testing procedures. Due to the LED manufacturer's tolerances, the listed output has a ±5% tolerance.

CCT - Tunable CCT from 2700K through 6500K, tolerance within a 3-step MacAdam ellipse.

CRI - 90+.

Driver - High efficiency, constant current, soft start, Electronic Class 2 with a PFC>0.90. For more detailed information on the available drivers please see page 7.

Wall Controller - Optional wall controller can be ordered for use with DMX fixtures. See DMX controller spec sheet for more details.

Thermal Performance:

Ambient Operating Temperature - Luminaires suitable for maximum ambient temperature of 35°C (95°F). Minimum ambient temperature of -20°C (-4°F)

Luminaire Finish:

Powder Coat - All Selux luminaires are finished in high quality polyester powder coating in our Tiger Drylac certified facility and are tested in accordance with test specifications for coatings from ASTM and PCI.

All products undergo a five stage intensive pretreatment process where product is thoroughly cleaned, phosphated, and sealed. Selux powder coated products provide excellent salt and humidity resistance as well as ultraviolet resistance for color retention.

Standard interior colors are White (WH), Semi-Matte Black (BL) and Silver (SV). Selux premium colors (SP) are available, please specify from your Selux color selection guide.

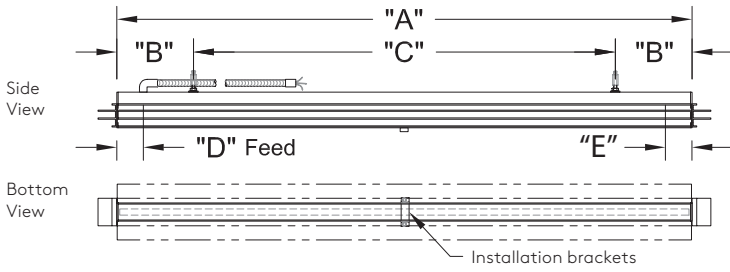
Warranty:

5 Year Limited LED Luminaire Warranty - Selux offers a 5 Year Limited Warranty to the original purchaser that the M36 MyWhite LED luminaire shall be free from defects in material and workmanship for up to five (5) years from date of shipment. This limited warranty covers the LED driver and LED light engine when installed according to Selux instructions and operated within the Ambient Temperature. For additional details and exclusions, see "Selux Terms and Condition of Sale."

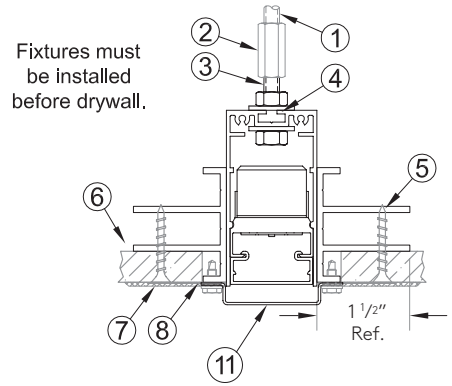
Certifications and Compliance:

- NRTL - For Dry and Damp location (I.E. cULus)
- ARRA Compliant
- RoHS Compliant
- IC-Rated

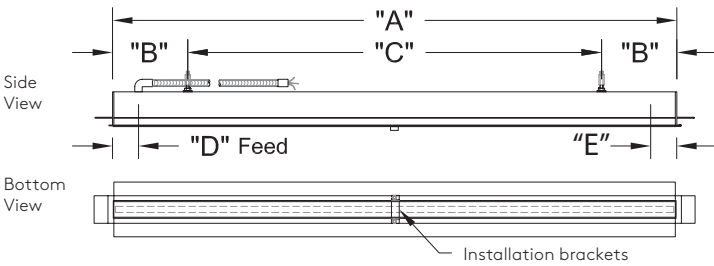
1/2" Spackle Flange Mounting (SF1)



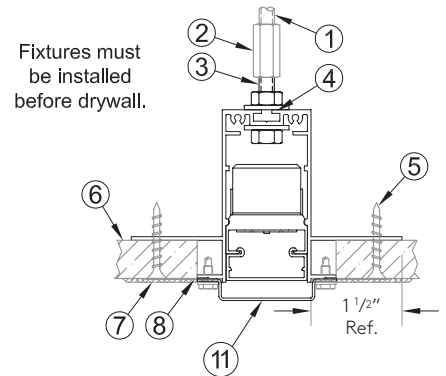
1/2" Spackle Flange Mounting (SF1)



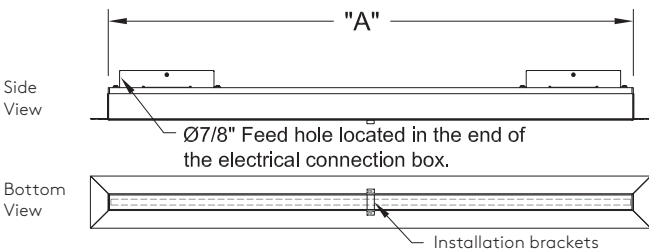
5/8" Spackle Flange Mounting (SF2)



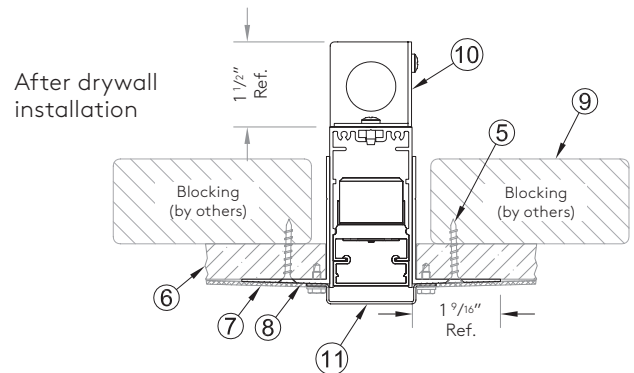
5/8" Spackle Flange Mounting (SF2)



After Sheetrock Flange Mounting (SF3)



After Sheetrock Flange Mounting (SF3)

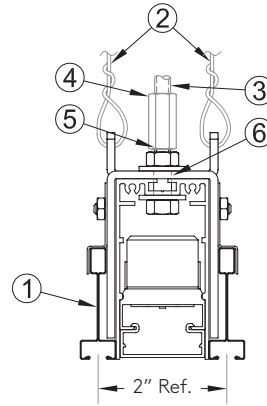
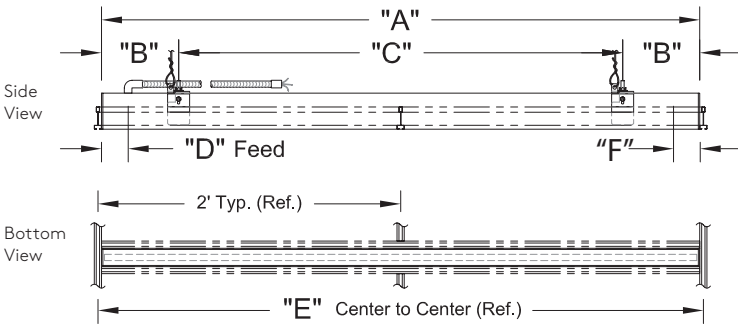


| Spackle Flange Mounting (SF1, SF2 & SF3) - Dimensions | | | | | | | | | | |
|---|-------------------|------|-----------------|-----|-----------------|------|---------------------|-----|-------------|-----|
| Nominal Length | "A" | | "B" | | *"C" (Ref.) | | "D" | | "E" | |
| | O.A.L. w/o Flange | MM | End Suspensions | MM | Mid. Suspension | MM | Power Feed Location | MM | DMX In/Out | MM |
| | Feet/Inch | MM | Feet/Inch | MM | Feet/Inch | MM | Feet/Inch | MM | Feet/Inch | MM |
| 01 (1 ft.) | 1' - 5/16" | 313 | 0' - 1 1/8" | 41 | 0' - 9 1/8" | 231 | 0' - 4 1/8" | 105 | 0' - 4 1/8" | 105 |
| 02 (2 ft.) | 2' - 1/4" | 616 | 0' - 1 1/8" | 41 | 1' - 9" | 534 | 0' - 4 1/8" | 105 | 0' - 4 1/8" | 105 |
| 03 (3 ft.) | 3' - 5/16" | 923 | 0' - 6 1/8" | 156 | 2' - 1/8" | 612 | 0' - 2 1/8" | 54 | 0' - 2 1/8" | 54 |
| 04 (4 ft.) | 4' - 1/4" | 1225 | 0' - 6 1/8" | 156 | 3' - 0" | 914 | 0' - 2 1/8" | 54 | 0' - 2 1/8" | 54 |
| 05 (5 ft.) | 4' - 10 1/16" | 1491 | 0' - 6 1/8" | 156 | 3' - 10 7/16" | 1180 | 0' - 2 1/8" | 54 | 0' - 2 1/8" | 54 |
| 06 (6 ft.) | 5' - 10 5/8" | 1794 | 0' - 6 1/8" | 156 | 4' - 10 3/8" | 1483 | 0' - 2 1/8" | 54 | 0' - 2 1/8" | 54 |
| 07 (7 ft.) | 7' - 1/4" | 2140 | 0' - 6 1/8" | 156 | 6' | 1829 | 0' - 2 1/8" | 54 | 0' - 2 1/8" | 54 |
| 08 (8 ft.) | 8' - 1/4" | 2444 | 0' - 6 1/8" | 156 | 7' | 2133 | 0' - 2 1/8" | 54 | 0' - 2 1/8" | 54 |

*Dimension(s) rounded to the nearest 1/16" with a ± 1/16 (1mm) tolerance.

- 1/4"-20 Threaded rod to structure (supplied and installed by others).
- 14-20 Coupler hardware (supplied and installed by others).
- 1" 1/2"-20 Stud (by Selux).
- Ø7/16" (Ø7mm) mounting hole.
- Drywall/Sheetrock screw (Ref.)
- Drywall/Sheetrock (Ref.)
- 7/8" Plaster skimcoat (Ref.)
- Drywall/Sheetrock tape (Ref.)
- Blocking to secure fixture (by others)
- Electrical connection box, removable side cover for electrical connection pre-installation, once installed the wiring is accessible from below the ceiling through the luminaire.
- Brackets installed and shipped in the closed position by Selux.
 - For runs, rotate bracket to open position so the geartray can be removed to make the housing and wiring connections.
 - After connections are made, rotate bracket back to the closed position (see installation instructions for full details).
 - Brackets to be removed only after the luminaire is completely secured to the sheetrock through the spackle flange.

Slot Grid Mounting (SG)



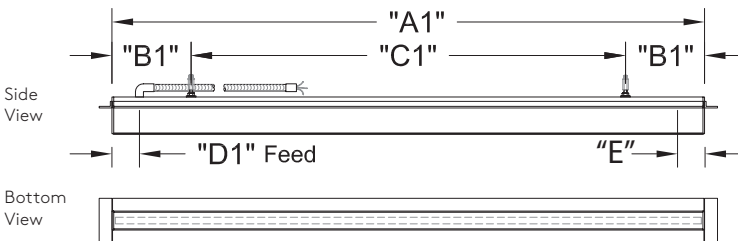
9/16" Slot Grid Mounting (SG)
(Wire Suspension or 1/4"-20 Stud)

1. 9/16" Slot grid (shown as ref.).
2. Support wire to structure (supplied and installed by others).
3. 1/4"-20 Threaded rod to structure (supplied and installed by others).
4. 1/4"-20 Coupler hardware (supplied and installed by others).
5. 1" 1/4"-20 Stud (by Selux).
6. Ø 5/8" (Ø7mm) mounting hole.

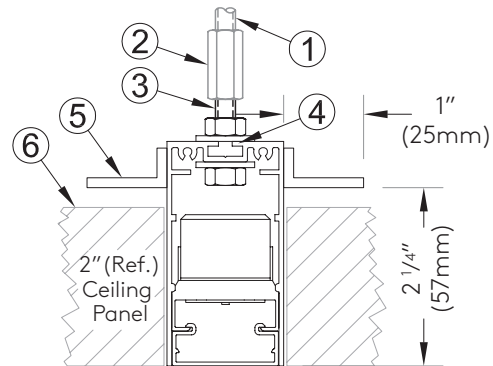
| Nominal Length | "A" Housing Length | | "B" End Suspensions | | * "C" (Ref.) Mid. Suspension | | "D" Power Feed Location | | "E" Grid Spacing | | "F" DMX In/Out | |
|----------------|--------------------|------|---------------------|-----|------------------------------|------|-------------------------|-----|---------------------|-------------|----------------|--|
| | Feet/Inch | MM | Feet/Inch | MM | Feet/Inch | MM | Feet/Inch | MM | Feet | Feet/Inch | MM | |
| 02 (2 ft.) | 1' - 11 7/16" | 595 | 0' - 1 5/8" | 41 | 1' - 8 3/16" | 513 | 0' - 4 1/8" | 105 | 2' Center to Center | 0' - 4 1/8" | 105 | |
| 04 (4 ft.) | 3' - 11 7/16" | 1205 | 0' - 6 1/8" | 156 | 2' - 11 3/16" | 894 | 0' - 2 1/8" | 54 | 4' Center to Center | 0' - 2 1/8" | 54 | |
| 05 (5 ft.) | 4' - 11 7/16" | 1510 | 0' - 6 1/8" | 156 | 3' - 11 3/16" | 1199 | 0' - 2 1/8" | 54 | 5' Center to Center | 0' - 2 1/8" | 54 | |
| 06 (6 ft.) | 5' - 11 7/16" | 1815 | 0' - 6 1/8" | 156 | 4' - 11 3/16" | 1504 | 0' - 2 1/8" | 54 | 6' Center to Center | 0' - 2 1/8" | 54 | |
| 08 (8 ft.) | 7' - 11 7/16" | 2424 | 0' - 6 1/8" | 156 | 6' - 11 3/16" | 2113 | 0' - 2 1/8" | 54 | 8' Center to Center | 0' - 2 1/8" | 54 | |

*Dimension(s) rounded to the nearest 1/16" with a ± 1/16" (1mm) tolerance.

Decoustic Mounting (DC)



Decoustic Mounting (DC)
(Panels up to 2" thick)



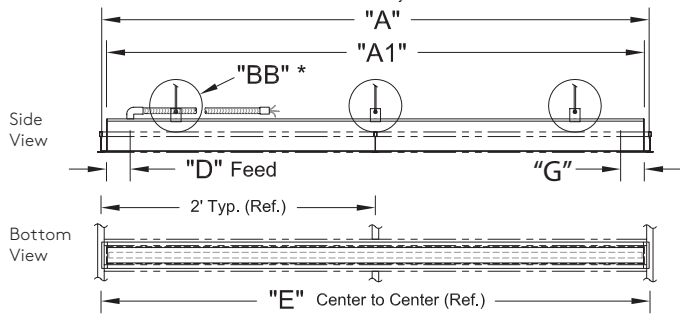
| Nominal Length | "A1" Housing Length | | "B1" End Suspensions | | * "C1" (Ref.) Mid. Suspension | | "D1" Power Feed Location | | "E" DMX In/Out | |
|----------------|---------------------|------|----------------------|-----|-------------------------------|------|--------------------------|-----|----------------|-----|
| | Feet/Inch | MM | Feet/Inch | MM | Feet/Inch | MM | Feet/Inch | MM | Feet/Inch | MM |
| 02 (2 ft.) | 2' - 1/4" | 616 | 0' - 1 5/8" | 41 | 1' - 9" | 534 | 0' - 4 1/8" | 105 | 0' - 4 1/8" | 105 |
| 03 (3 ft.) | 3' - 5/8" | 923 | 0' - 6 1/8" | 156 | 2' - 1/8" | 612 | 0' - 2 1/8" | 54 | 0' - 2 1/8" | 54 |
| 04 (4 ft.) | 4' - 1/4" | 1225 | 0' - 6 1/8" | 156 | 3' | 914 | 0' - 2 1/8" | 54 | 0' - 2 1/8" | 54 |
| 05 (5 ft.) | 4' - 10 1/16" | 1491 | 0' - 6 1/8" | 156 | 3' - 10 1/16" | 1180 | 0' - 2 1/8" | 54 | 0' - 2 1/8" | 54 |
| 06 (6 ft.) | 5' - 10 5/8" | 1794 | 0' - 6 1/8" | 156 | 4' - 10 3/8" | 1483 | 0' - 2 1/8" | 54 | 0' - 2 1/8" | 54 |
| 07 (7 ft.) | 7' - 1/4" | 2140 | 0' - 6 1/8" | 156 | 6' | 1829 | 0' - 2 1/8" | 54 | 0' - 2 1/8" | 54 |
| 08 (8 ft.) | 8' - 1/4" | 2444 | 0' - 6 1/8" | 156 | 7' | 2133 | 0' - 2 1/8" | 54 | 0' - 2 1/8" | 54 |

*Dimension(s) rounded to the nearest 1/16" with a ± 1/16" (1mm) tolerance.

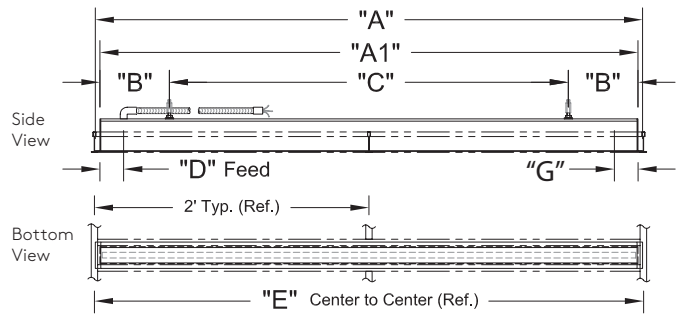
1. 1/4"-20 Threaded rod to structure (supplied and installed by others).
2. 1/4"-20 Coupler hardware (supplied and installed by others).
3. 1" 1/4"-20 Stud (by Selux).
4. Ø 5/8" (Ø7mm) mounting hole.
5. 1" wide aluminum angle runs the entire length of fixture to block view into plenum area from below fixture.
6. Suitable for Decoustic® ceiling panel installations with panels up to 2" thick (supplied and installed by others). Other ceiling systems possible, please consult factory. Decoustic® is a registered trademark of Decoustics Ltd. Corporation.

T-Bar Mounting (TB)

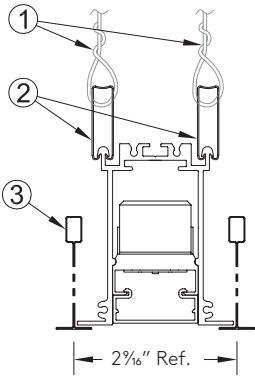
*Suspension Clip locations are field adjustable



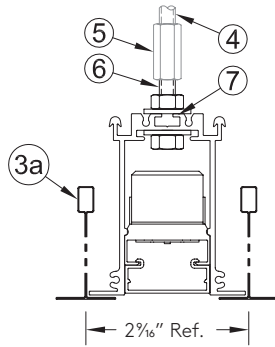
T-Bar with Stud Mounting (TBS)



T-Bar with Suspension Clips (TB)
(9/16" or 15/16" grid)



T-Bar with 1/4"-20 Stud (TBS)
(9/16" or 15/16" grid)



1. Support wire to structure (supplied and installed by others).
2. Spring steel suspension clips located approximately every 4 feet (supplied by Selux).
3. 9/16" T-bar grid (shown as ref.)
- 3a. 15/16" T-bar grid (shown as ref.)
4. 1/4"-20 Threaded rod to structure (supplied and installed by others).
5. 1/4"-20 Coupler hardware (supplied and installed by others).
6. 1" 1/4"-20 Stud (by Selux).
7. Ø 3/16" (Ø7mm) mounting hole.

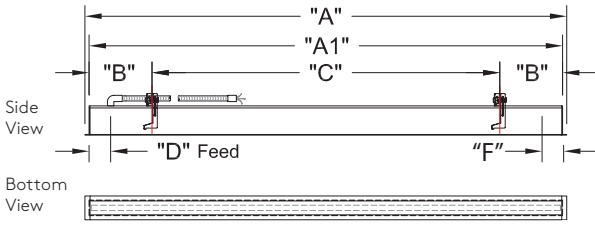
T-Bar (TB & TBS) - Dimensions

| Nominal Length | "A" O.A.L. with Flange | | "A1" O.A.L. without Flange | | "B" End Suspensions | | "BB" (TB mtg.) Suspension Clips | ** "C" (Ref.) Mid. Suspension | | "D" Power Feed Location | | "E" Grid Spacing | "F" Wall Angle | | "G" DMX In/Out | |
|--------------------|------------------------|------|----------------------------|------|---------------------|-----|---------------------------------|-------------------------------|------|-------------------------|-----|---------------------|----------------|------|----------------|-----|
| | Feet/Inch | MM | Feet/Inch | MM | Feet/Inch | MM | Quantity | Feet/Inch | MM | Feet/Inch | MM | Feet | Feet/Inch | MM | Feet/Inch | MM |
| *02 (2 ft.) | 1' - 11 13/16" | 605 | 1' - 10 15/16" | 583 | 0' - 1 3/8" | 41 | 4x | 1' - 7 3/4" | 501 | 0' - 4 1/8" | 105 | 2' Center to Center | 1' - 10 11/16" | 577 | 0' - 4 1/8" | 105 |
| *04 (4 ft.) | 3' - 11 13/16" | 1215 | 3' - 10 15/16" | 1193 | 0' - 6 1/8" | 156 | 6x | 2' - 10 3/4" | 882 | 0' - 2 1/8" | 54 | 4' Center to Center | 3' - 10 3/4" | 1187 | 0' - 2 1/8" | 54 |
| *05 (5 ft.) | 4' - 11 13/16" | 1519 | 4' - 10 15/16" | 1497 | 0' - 6 1/8" | 156 | 6x | 3' - 10 3/4" | 1187 | 0' - 2 1/8" | 54 | 5' Center to Center | 4' - 10 11/16" | 1491 | 0' - 2 1/8" | 54 |
| *06 (6 ft.) | 5' - 11 7/8" | 1825 | 5' - 11" | 1803 | 0' - 6 1/8" | 156 | 6x | 4' - 10 3/4" | 1492 | 0' - 2 1/8" | 54 | 6' Center to Center | 5' - 10 3/4" | 1797 | 0' - 2 1/8" | 54 |
| *08 (8 ft.) | 7' - 11 13/16" | | 7' - 10 15/16" | 2412 | 0' - 6 1/8" | 156 | 8x | 6' - 10 11/16" | 2101 | 0' - 2 1/8" | 54 | 8' Center to Center | 7' - 10 3/4" | 2406 | 0' - 2 1/8" | 54 |

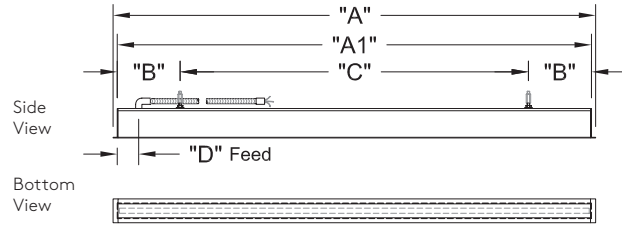
*For other lengths consult factory

**Dimension(s) rounded to the nearest 1/16" with a ± 1/16" (1mm) tolerance.

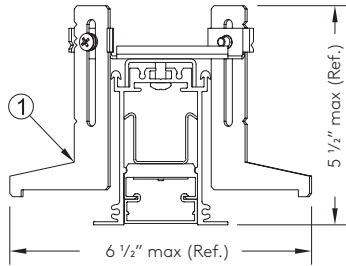
Rotating Crossbar Mounting (RC)



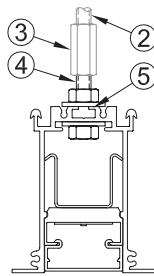
1/4"-20 Threaded Stud Mounting (TS)



Rotating Crossbars (RC)
(1/4" to 2" thick ceiling)



1/4"-20 Threaded Stud (TS)
(1" Threaded Stud)



1. Rotating Crossbar intended for inaccessible ceilings, adjustable for ceiling thickness of 1/4" to 2".
2. 1/4"-20 Threaded rod to structure (supplied and installed by others).
3. 1/4"-20 Coupler hardware (supplied and installed by others).
4. 1" 1/4"-20 Stud (by Selux).
5. Ø 5/16" (Ø7mm) mounting hole.

Rotating Crossbar (RC) and Threaded Stud (TS) - Dimensions

| Nominal Length | "A" O.A.L. with Flange | | "A1" O.A.L. without Flange | | "B" End Suspensions | | ** "C" (Ref.) Mid. Suspension | | "D" Power Feed Location | | "E" Wall Angle | | "F" DMX In/Out | |
|----------------|------------------------|------|----------------------------|------|---------------------|-----|-------------------------------|------|-------------------------|-----|----------------|------|----------------|-----|
| | Feet/Inch | MM | Feet/Inch | MM | Feet/Inch | MM | Feet/Inch | MM | Feet/Inch | MM | Feet/Inch | MM | Feet/Inch | MM |
| 02 (2 ft.) | 2' - 1 1/8" | 638 | 2' - 1/4" | 616 | 0' - 1 3/8" | 41 | 1' - 9" | 534 | 0' - 4 1/8" | 105 | 2' - 0" | 610 | 0' - 4 1/8" | 105 |
| 03 (3 ft.) | 3' - 1 3/16" | 945 | 3' - 5/16" | 923 | 0' - 6 1/8" | 156 | 2' - 1/8" | 612 | 0' - 2 1/8" | 54 | 3' - 1/8" | 917 | 0' - 2 1/8" | 54 |
| 04 (4 ft.) | 4' - 1 1/8" | 1247 | 4' - 1/4" | 1225 | 0' - 6 1/8" | 156 | 3' - 0" | 914 | 0' - 2 1/8" | 54 | 4' - 0" | 1219 | 0' - 2 1/8" | 54 |
| 05 (5 ft.) | 4' - 11 3/16" | 1513 | 4' - 10 11/16" | 1491 | 0' - 6 1/8" | 156 | 3' - 10 3/16" | 1180 | 0' - 2 1/8" | 54 | 4' - 10 7/16" | 1485 | 0' - 2 1/8" | 54 |
| 06 (6 ft.) | 5' - 11 1/2" | 1816 | 5' - 10 5/8" | 1794 | 0' - 6 1/8" | 156 | 4' - 10 3/8" | 1483 | 0' - 2 1/8" | 54 | 5' - 10 3/8" | 1788 | 0' - 2 1/8" | 54 |
| 07 (7 ft.) | 7' - 1 1/8" | 2162 | 7' - 1/4" | 2140 | 0' - 6 1/8" | 156 | 6' - 0" | 1829 | 0' - 2 1/8" | 54 | 7' - 0" | 2134 | 0' - 2 1/8" | 54 |
| 08 (8 ft.) | 8' - 1 1/16" | 2466 | 8' - 1/4" | 2444 | 0' - 6 1/8" | 156 | 7' - 0" | 2133 | 0' - 2 1/8" | 54 | 8' - 0" | 2438 | 0' - 2 1/8" | 54 |

*RC mounting, consult factory for lengths under 2'

**Dimension(s) rounded to the nearest 1/16" with a ± 1/16" (1mm) tolerance.

eldoLED Dimming Driver:

eldoLED DALI dimming (DMW)

Luminaires supplied with DUALdrive DALI dimming driver for linear dimming curve. Minimum dimming level preset at factory to 1%. For “dim to dark” (down to 0.1%), please consult factory.

eldoLED DALI LightShape dimming (DLL)

Luminaires supplied with DUALdrive DALI dimming driver for eldo LightShape tunable white technology. Tunable white allows dim to dark with the addition of adjustable color temperature to reduce nature’s auras.

eldo DMX dimming (DMX)

Luminaires supplied with POWERdrive DMX dimming driver for linear dimming curve. Minimum dimming level preset at factory to 1%. For “dim to dark” (down to 0.1%), please consult factory. Selux recommends a maximum of 31 drivers in a DMX universe. DMX fixtures can be grouped together (remove the termination resistor at the end of the fixture and connect the DMX cable from the next fixture).

*By default, all drivers on a job will be set to the same address. For additional addressing options, please consult factory.

eldoLED 0-10V LightShape dimming (DTW)

Luminaires supplied with SOLOdrive 0-10V, single channel dim to dark dimming driver with LightShape Dim to Warm technology. Dim to Warm warms the color temperature as the luminaire dims.

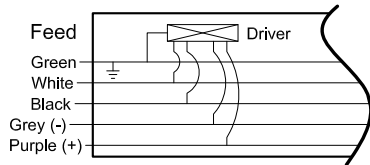
*For control recommendations for eldoLED drivers, please contact eldoLED.

| Driver Quantity (consult factory for SS option driver quantity) | | | | | | | | | | | | |
|---|-------|-------|-------|-------|-------|-------|-------|-------|--------|--------|--------|-----------------------------------|
| | 2 ft. | 3 ft. | 4 ft. | 5 ft. | 6 ft. | 7 ft. | 8 ft. | 9 ft. | 10 ft. | 11 ft. | 12 ft. | RUN |
| DLL/DTW/DMW/DMX drivers | 1 | 1 | 1 | 2 | 2 | 2 | 2 | 3 | 3 | 3 | 3 | Approximately 1 drivers per 4 ft. |

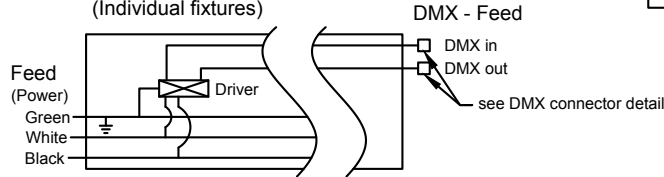
*For inrush and control current, please refer to the driver manufacturers’ spec sheets.

Wiring Diagrams

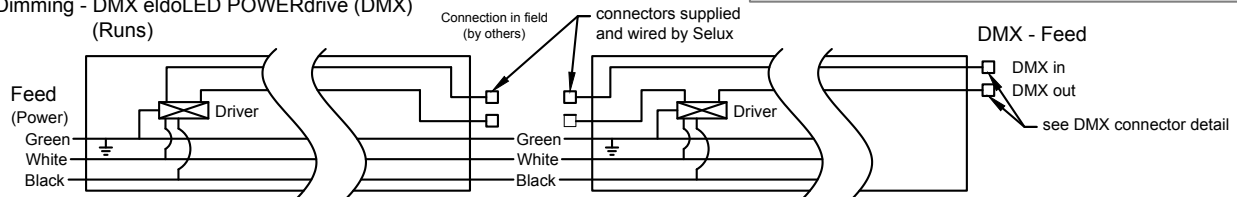
DALI Linear (DMW) / DALI Log (DLL) / 0-10V Lin (DTW)



Dimming - DMX eldoLED POWERdrive (DMX) (Individual fixtures)

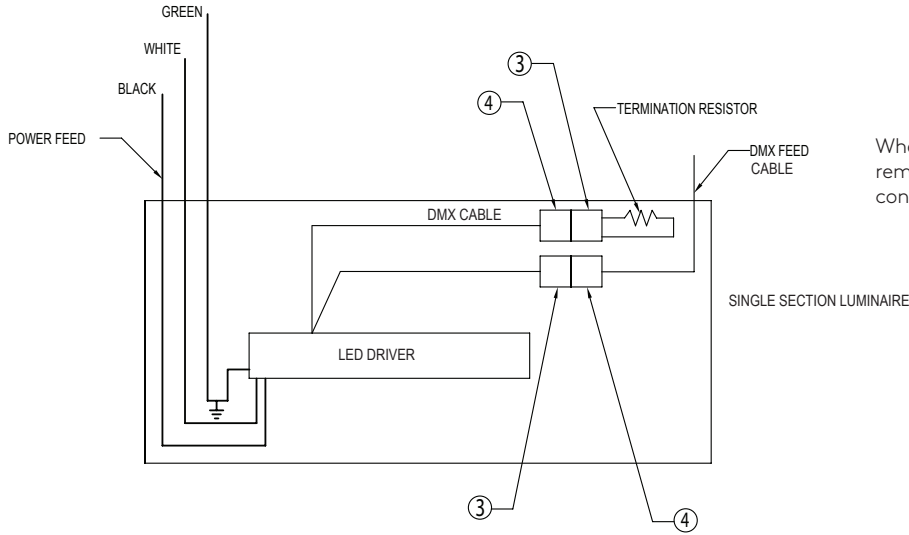


Dimming - DMX eldoLED POWERdrive (DMX) (Runs)

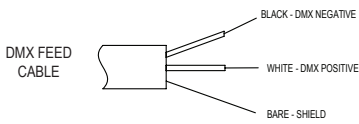
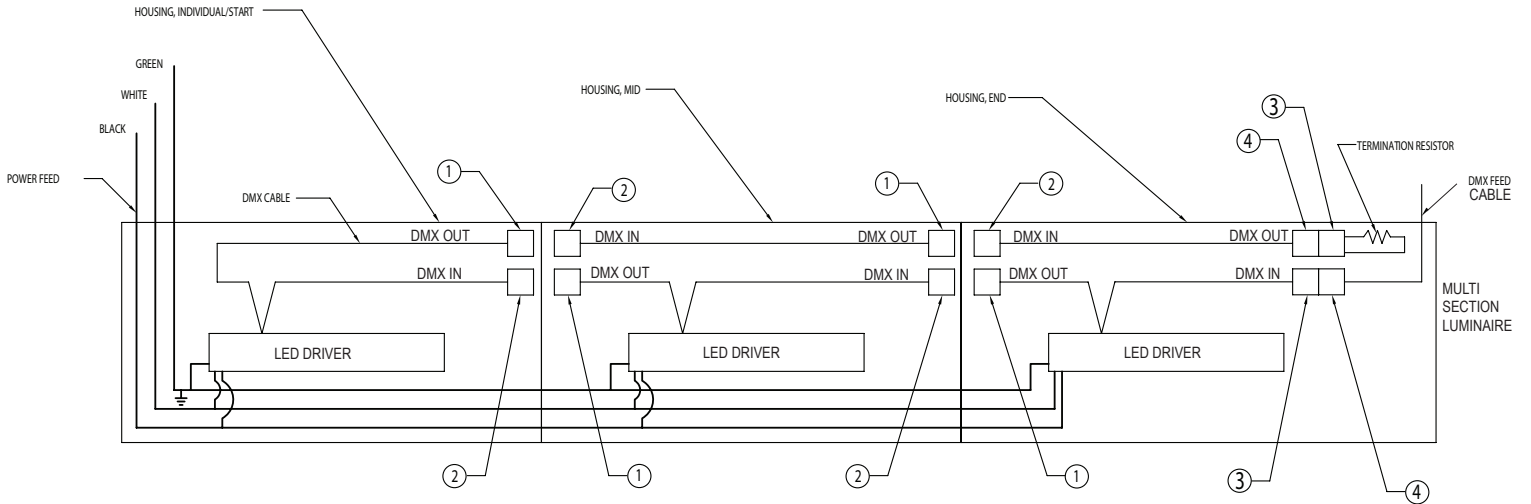


| | |
|-------------------|---|
| DMW DLL DTW | Green = Ground White = Neutral Black = Hot Grey = (-) Dali Purple = (+) Dali |
| DMX | DMX = supplied with a DMX in and DMX out control cables. DMX out control cable is supplied with a removable end of run termination resistor. *When the DMX system is being commissioned the installer to remove the resistors as needed to group fixtures. |

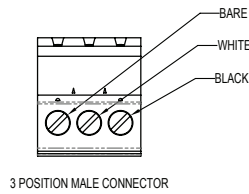
Wiring Diagrams
DMX dimming (DMX)



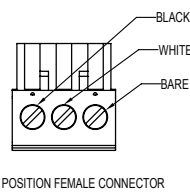
When Daisy Chaining fixtures, remove termination resistor and connect DMX out cable.



DO NOT GROUND SHIELD IN LUMINAIRE.
ONLY CONNECT SHIELD AT CONTROLLER.

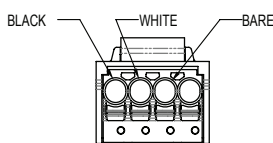
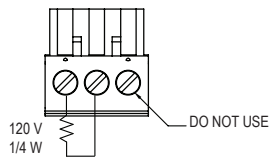


④

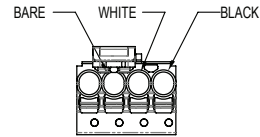


③

CONNECTORS USED FOR CONTROLLER
CONNECTION AND TERMINATION
RESISTOR CONNECTION.



①



②

CONNECTORS USED BETWEEN
LUMINAIRE SECTIONS.

DMX SIGNAL CONNECTORS

Fuse (FS) - Fusing, luminaires supplied with a in-line fuse located on the hot wire for each feed. (supplied with an 8A slow burn fuse).

Damp Location (DL) - Luminaires are suitable for use in damp location(s). Examples of such locations include protected areas under canopies, marquees, roofed porches, and similar locations where the fixture(s) are protected from direct contact with rain, snow, or excessive moisture (such as ocean spray). Interior locations include areas subject to moderate degrees of moisture, such as basements and certain barns and cold storage buildings. All solder points on LED boards are conformal coated. The phosphor layer of the LEDs is free of coating to avoid hazing.

Separate Switching (SS) - Luminaires available with separately switched 4' (nominal) sections starting at 7' and up. Luminaire is intended to be wired to the same panel/breaker (not intended for Emergency use).

*All separately switched (non-EM) circuits within an individual luminaire, linear run, or configuration must be connected to the same branch circuit on-site.

*If the project requires different separate switching than outlined above please consult the factory.

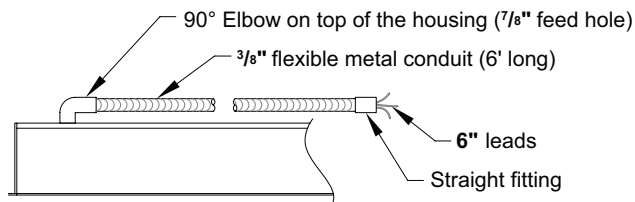
Emergency Circuit (EC) - Luminaires with EC option compliant to UL 924 listed emergency luminaire. EC luminaires are intended to be wired to separate panels/breakers for emergency use.

- For 1' to 6' nominal luminaires, the entire fixture is wired for operation on emergency circuit.

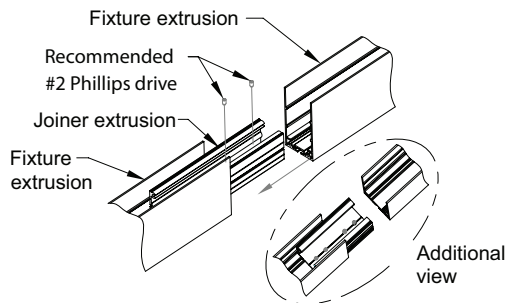
- For 7' and up nominal luminaires, the first 4' nominal length is wired for operation by a separate EM circuit by default to meet the required "Life Safety Code" (NFPA 101).

**If a different configuration is needed please consult the factory.

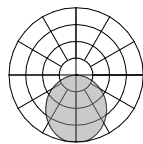
Flex Whip - standard for FF mounting



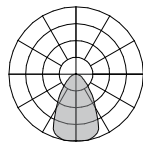
Joiner System - standard for Runs



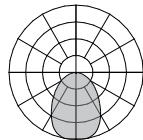
Photometry



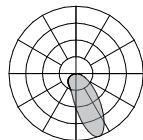
| LW - LED Optimized White Lens | | | | |
|-------------------------------|-------------------|-----------------|----------------------|------|
| Light Engine | Lumens per 4 foot | Lumens per foot | Input watts per foot | lm/W |
| 1A32 | 2776 | 694 | 10 | 70 |



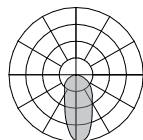
| MI - Clear Lens with Microprism Inlay | | | | |
|---------------------------------------|-------------------|-----------------|----------------------|------|
| Light Engine | Lumens per 4 foot | Lumens per foot | Input watts per foot | lm/W |
| 1A32 | 2832 | 708 | 10 | 71 |



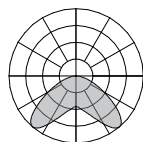
| NB - LMO Symmetric | | | | |
|--------------------|-------------------|-----------------|----------------------|------|
| Light Engine | Lumens per 4 foot | Lumens per foot | Input watts per foot | lm/W |
| 1A32 | 3398 | 850 | 10 | 85 |



| A2 - LMO Asymmetric 20° Wall Washer | | | | |
|-------------------------------------|-------------------|-----------------|----------------------|------|
| Light Engine | Lumens per 4 foot | Lumens per foot | Input watts per foot | lm/W |
| 1A32 | 3520 | 880 | 10 | 88 |



| A5 - LMO Asymmetric 5° Wall Grazer | | | | |
|------------------------------------|-------------------|-----------------|----------------------|------|
| Light Engine | Lumens per 4 foot | Lumens per foot | Input watts per foot | lm/W |
| 1A32 | 3506 | 877 | 10 | 88 |



| BW - LMO Batwing | | | | |
|------------------|-------------------|-----------------|----------------------|------|
| Light Engine | Lumens per 4 foot | Lumens per foot | Input watts per foot | lm/W |
| 1A32 | 3230 | 808 | 10 | 81 |

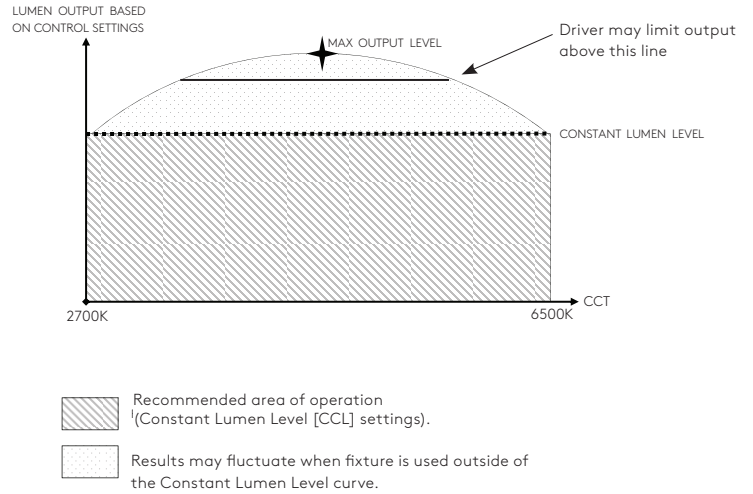
| M36 Recessed | |
|-----------------|------|
| CCT Multiplier | |
| 4000K | 1.05 |
| 3500K | 1.00 |
| 3000K | 0.96 |
| 2700K | 0.92 |
| CRI Multiplier | |
| 90+ CRI | 1.00 |
| 80+ CRI | 1.19 |
| Lens Multiplier | |
| LW | 1.00 |
| MI | 1.02 |
| NB | 1.22 |
| A2 | 1.26 |
| A5 | 1.26 |
| BW | 1.16 |

CCT and CRI multipliers apply to the photometry, IES files, and per foot values listed on page 1 (light engine).

Lens multipliers supplied for per foot values listed on page 1 (light engine).

Photometry

This photometry can be used for all CCTs when utilizing the constant lumen level (CLL) curve for My White. For other outputs, please consult the factory.



My White and the Circadian Rhythm – Humans have an internal clock that affects everything from sleep patterns to productivity to health. This clock is called the circadian rhythm. As humans evolved in the days before electric lighting, they had natural exposure to various levels (both color temperature and intensity) from the sun. By adjusting electric lighting to mimic the natural hue and intensity of the sun, it can help restore the body to a natural state. Various studies have shown that this can help with alertness, behavioral issues, and productivity. The Selux proprietary My White technology allows you to adjust both the amount and color of your light, creating a comfortable environment for offices, educational facilities, hospitality, or any other installation where varying light could benefit the occupants. Set up the My White luminaires to a whole building solution, and you could create an automatic adjustment to the light to mimic daylight.