

# 3G LIGHTING

## 3G-RC1-5RD

5" ROUND MADISON  
DYNAMIC WHITE

New construction housing with IC housing option available  
Machined aluminum insert with seamless ceiling integration  
Trim fixture designed to conceal internal hardware  
Machined aluminum double gimbal. Adjustable and lockable  
2.75" Regressed LED source for enhanced glare control  
Dim to Warm and Tunable White LED options up to 2000lm (90+ CRI)  
1% dimming standard with several integral driver options



**3GD 3GT**

### ORDERING INFORMATION

<b>PROJECT:</b>	<input type="text"/>	<b>TYPE:</b>	<input type="text"/>
<b>CATALOG #:</b>	<input type="text"/>	<b>DATE:</b>	<input type="text"/>

CAT. NO	LED SOURCE	LUMEN OUTPUT	CRI	BEAM ANGLE	VOLTAGE
<b>3G-RC1-5RD</b>	<b>DW</b> - DIM TO WARM (1800-3000K)	<b>08</b> - 800 LUMENS <b>12</b> - 1200 LUMENS	<b>H90</b> - 90+ CRI	<b>10D</b> - 10° <sup>2</sup> <b>20D</b> - 20° <b>40D</b> - 40° <b>60D</b> - 60° <b>90D</b> - 90°*	<b>UNV</b> - 120/277V <b>120</b> - 120V <b>347</b> - 347V (0-10V ONLY)
	<b>TW</b> - TUNABLE WHITE <sup>1</sup> (2700K-6500K)	<b>20</b> - 2000 LUMENS			

\* 90D reflector supplied standard with lens

DRIVER	FLANGE TYPE	GIMBAL FINISH	HOUSING INTERIOR
<b>DIM</b> - 0-10V (STANDARD 100-1%) <b>LE</b> - PHASE DIMMING <sup>3</sup> (TRIAC/ELV, 100-1%) <b>LTEA</b> - LUTRON HI-LUME LTEA <sup>3</sup> (FWD PHASE, 100-1%) <b>D01</b> - 0-10V (eIdoLED, 100-0.1%) <sup>1</sup> <b>DALI</b> - DALI (eIdoLED, 100-1%) <sup>1,4</sup> <b>DHL2</b> - LUTRON HI-LUME LDE1 (1% ECOSYSTEM) <b>DMX</b> - DMX (eIdoLED, 100-0%) <sup>1</sup>	<b>WT</b> - WHITE TRIM (STANDARD) <b>ST</b> - SILVER TRIM <b>BT</b> - BLACK TRIM <b>CT</b> - CUSTOM <b>XTR</b> - TRIMLESS	<b>NG</b> - NATURAL ALUMINUM <b>BG</b> - BLACK <b>WG</b> - WHITE	<b>BK</b> - BLACK (STANDARD) <b>WH</b> - WHITE <b>CF</b> - CUSTOM

HOUSING TYPE	OPTIONS
<b>NC</b> - NEW CONSTRUCTION (NON-IC) <b>IC</b> - IC HOUSING	<b>CP</b> - CHICAGO PLENUM <b>BH</b> - BAR HANGERS <b>SF70</b> - SOFTENING LENS <b>LS70</b> - LINEAR SPREAD <b>HXB70</b> - BLACK HEXCELL LOUVER <b>EMR</b> - EMERGENCY BATTERY <sup>5</sup>

Maximum 3 optical accessories. See optical accessories page for more options

- <sup>1</sup> Tunable White option available with D01, DALI and DMX drivers
- <sup>2</sup> 10D reflector available with 800 lumen output only
- <sup>3</sup> Phase dimming options available in 120V only
- <sup>4</sup> DALI-2 (Type 6) provided as standard. Please consult factory for DALI (Type 8) options
- <sup>5</sup> Emergency battery installed remotely by others. Not accessible through the inside of the fixture

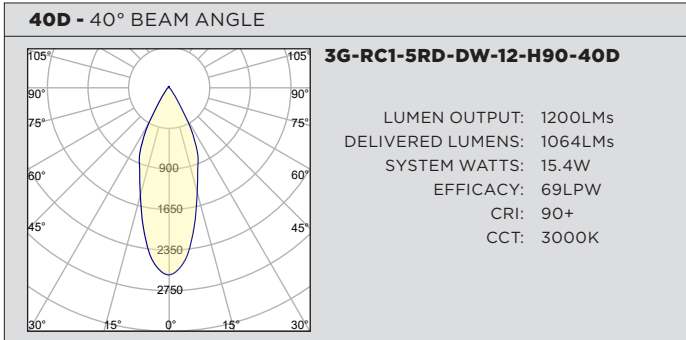
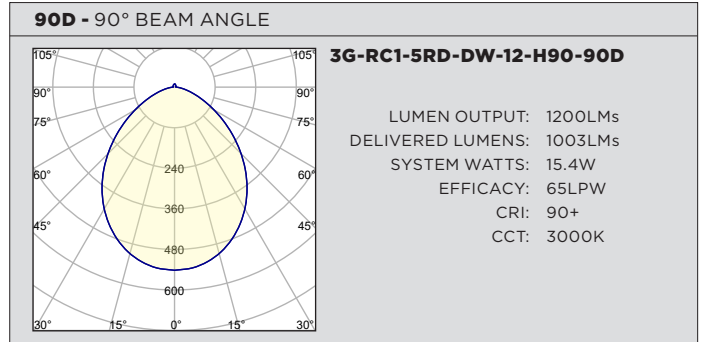
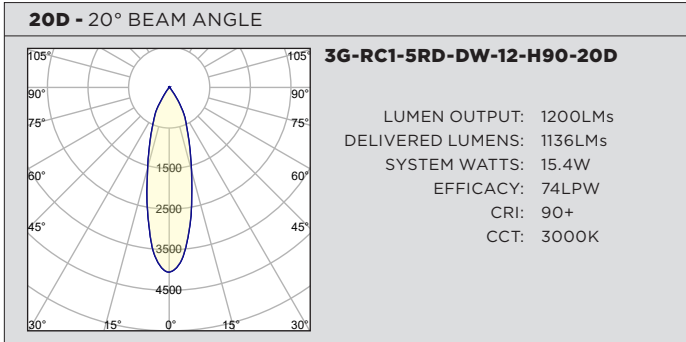
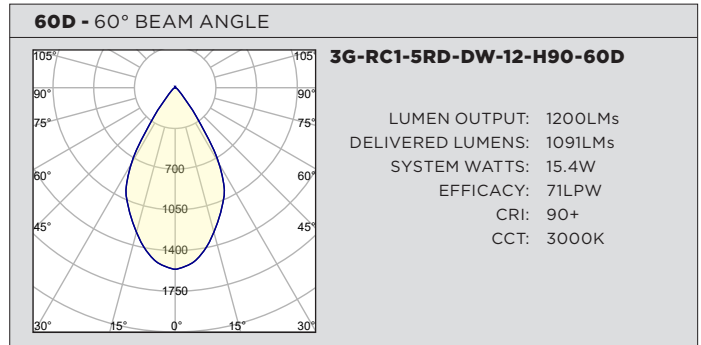
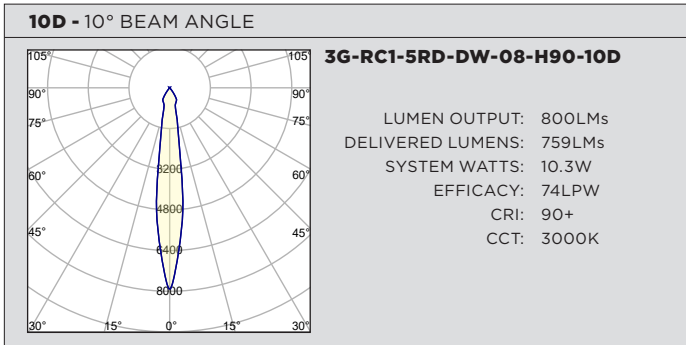
**3GD** - Warm Dim  
**3GT** - Tunable White

SEPTEMBER 16, 2020

### PERFORMANCE CHART BASED ON 20° BEAM AND 3000K SOURCE

DIM TO WARM LUMEN OUTPUT	90+ CRI (3000K)		
	DELIVERED LUMENS	SYSTEM WATTS	EFFICACY (LPW)
800LMs	N/A	N/A	N/A
1200LMs	1136	15.4	74
2000LMs	1593	23.2	69

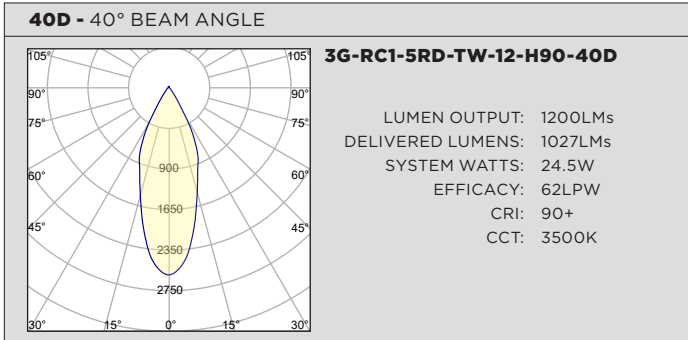
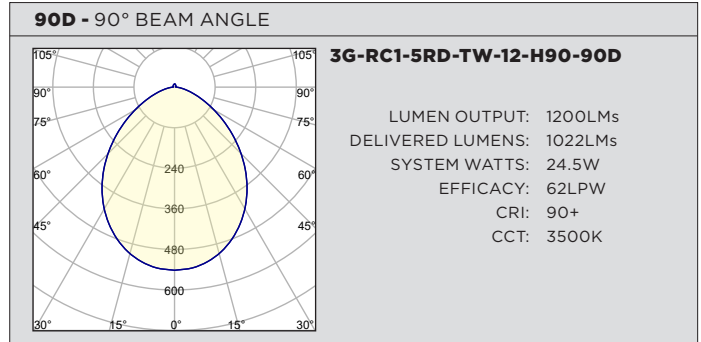
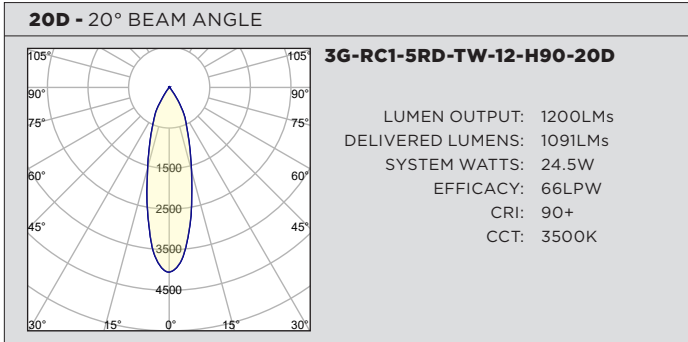
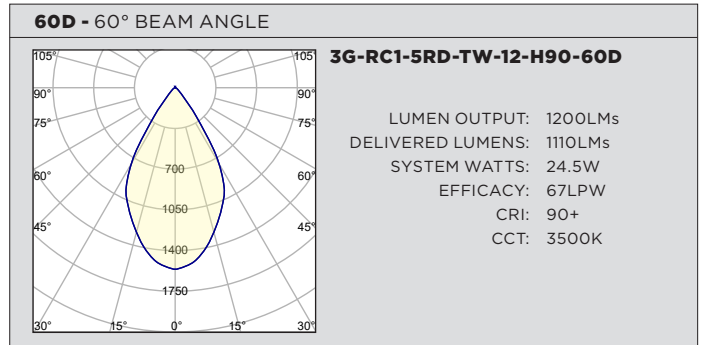
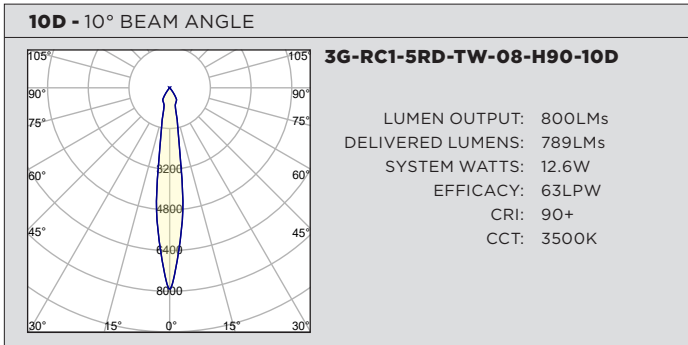
### PHOTOMETRY



### PERFORMANCE CHART BASED ON 20° BEAM

TUNABLE WHITE LUMEN OUTPUT	90+ CRI (2700K)			90+ CRI (3500K)			90+ CRI (6500K)		
	DELIVERED LUMENS	SYSTEM WATTS	EFFICACY (LPW)	DELIVERED LUMENS	SYSTEM WATTS	EFFICACY (LPW)	DELIVERED LUMENS	SYSTEM WATTS	EFFICACY (LPW)
<b>800LMs</b>	N/A	N/A	N/A	N/A	N/A	N/A	N/A	N/A	N/A
<b>1200LMs</b>	1066	16.6	64	1091	16.6	66	1221	16.6	74
<b>2000LMs</b>	1491	24.5	61	1561	24.5	64	1684	24.5	69

### PHOTOMETRY



**TECHNICAL****HOUSING**

- New construction housing with IC housing option available
- Housing fabricated in cold rolled steel. Standard black powder coated finish
- Maximum ceiling thickness of 1". Consult factory for modifications
- All housing options designed to be easily converted in field to trim or trimless with minimal components
- Housings are rated for #12 AWG, (4 in, 4 out), 90°C conductors and through branch wiring

**TRIM**

- Features a 3/4" removable trim assembly designed to conceal inner hardware

**TRIMLESS**

- Mudding flange with integral blocking support
- Machined aluminum insert with seamless ceiling integration

**ADJUSTABILITY**

- Solid aluminum double gimbal with dual axis adjustability
- Each double gimbal can be locked in place

**OPTICS**

- Regressed LED source for enhanced glare control
- Proprietary anodized, aluminum reflectors are field replaceable (10° reflector not interchangeable)
- Available in 10°, 20°, 40°, 60° and 90°

**ELECTRICAL**

- Standard 0-10V, constant current drivers with 100-1% dimming range and >0.9 power factor
- Standard 120/277V universal voltage drivers. Optional 347V, 0-10V drivers
- 120V Forward Phase/Reverse Phase driver option with 100-1% dimming range
- eldoLED 0-10V driver option available with 100-0.01% dimming range
- eldoLED DALI and Lutron EcoSystem driver options available with 100-1% dimming range
- DMX driver option available with 100-0% dimming range
- All drivers are integral and easily accessible through fixture aperture

**LED SYSTEM**

- Bridgelux LED module (field replaceable)
- Color consistency <3 SDCM
- Standard 90+ CRI
- Dim to Warm (1800K-3000K)
- Tunable White (2700K-6500K)
- L70 >50,000 hours
- 5 Year Warranty

**MOUNTING**

- Trim fixture designed for use in drywall, wood, acoustic ceiling tiles, and other architectural ceiling materials
- Trimless fixture designed for use in drywall, mud-in ceiling applications
- Butterfly brackets compatible with 1/2" x 1/2" channel, 1/2", 5/8", 3/4" bar hanger, 1/2" EMT, and furring strips (supplied by others)

**LISTING**

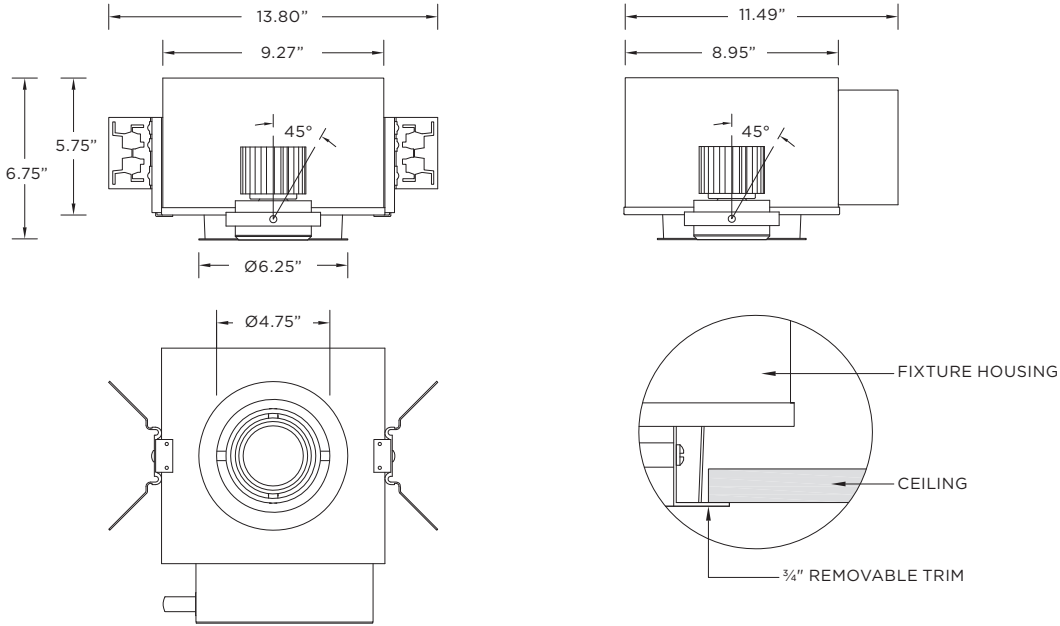
- ETL listed and tested to cUL standards. Suitable for dry and damp locations

**WARRANTY**

- 5 Year Warranty on LED and drivers
- Manufacturer 1 Year Warranty for defects in material and workmanship under normal use
- Ambient temperature at fixture should not exceed 25°C

### TRIM HOUSING OPTIONS

- NC** - New Construction (Non-IC)
- IC** - IC Housing
- CP** - Chicago Plenum Housing



### TRIMLESS HOUSING OPTIONS

- NC** - New Construction (Non-IC)
- IC** - IC Housing
- CP** - Chicago Plenum Housing

