

# 3G LIGHTING

## 3G-PM2

2 LIGHT MADISON  
PENDANT MOUNTED  
DYNAMIC WHITE

Extruded aluminum housing with fabricated mitered corners  
Housing design features a beveled edge with no visible hardware  
Machined aluminum double gimbals. Adjustable and lockable  
2.75" Regressed LED source for enhanced glare control  
Dim to Warm and Tunable White LED options up to 2000lm (90+ CRI)  
Adjustable aircraft cable suspension  
1% dimming standard with integral drivers



**3GD 3GT**

### ORDERING INFORMATION

<b>PROJECT:</b>	<input type="text"/>	<b>TYPE:</b>	<input type="text"/>
<b>CATALOG #:</b>	<input type="text"/>	<b>DATE:</b>	<input type="text"/>

CAT. NO	LED SOURCE	LUMEN OUTPUT	CRI	BEAM ANGLE	VOLTAGE
<b>3G-PM2</b>	<b>DW</b> - DIM TO WARM (1800-3000K)	<b>8</b> - 800 LUMENS <b>12</b> - 1200 LUMENS	<b>H90</b> - 90+ CRI	<b>10D</b> - 10° <sup>2</sup> <b>20D</b> - 20° <b>40D</b> - 40° <b>60D</b> - 60° <b>90D</b> - 90°*	<b>UNV</b> - 120/277V <b>120</b> - 120V <b>347</b> - 347V (0-10V ONLY)
	<b>TW</b> - TUNABLE WHITE <sup>1</sup> (2700K-6500K)	<b>20</b> - 2000 LUMENS			

\* 90D reflector supplied standard with lens

DRIVER	GIMBAL FINISH	HOUSING	CABLE LENGTH
<b>DIM</b> - 0-10V (STANDARD 100-1%) <b>LE</b> - PHASE DIMMING <sup>3</sup> (TRIAC/ELV, 100-1%) <b>D01</b> - 0-10V (eIdoLED, 100-0.1%) <sup>1</sup> <b>DALI</b> - DALI (eIdoLED, 100-1%) <sup>1,4</sup> <b>DHL2</b> - LUTRON HI-LUME LDE1 (1% ECOSYSTEM) <b>DMX</b> - DMX (eIdoLED, 100-0%) <sup>1</sup>	<b>NG</b> - NATURAL (STANDARD) <b>BG</b> - BLACK <b>WG</b> - WHITE	<b>BK</b> - BLACK <b>WH</b> - WHITE <b>SV</b> - SILVER <b>CF</b> - CUSTOM  Housing interior & exterior will be powder coated the same color	<b>60"</b> - 60" (STANDARD) <b>120"</b> - 120"  Mounting canopies provided in matte white finish as standard

### OPTIONS

**SF70** - SOFTENING LENS  
**LS70** - LINEAR SPREAD LENS  
**SB70** - SANDBLASTED LENS  
**HXB70** - BLACK HEXCELL LOUVER  
**BCN** - BLACK CANOPY  
**SCN** - SILVER CANOPY

Maximum 3 optical accessories. See optical accessories page for more options

- <sup>1</sup> Tunable White option available with D01, DALI and DMX drivers
- <sup>2</sup> 10D reflector available with 800 lumen output only
- <sup>3</sup> Forward Phase/Reverse Phase driver available in 120V only
- <sup>4</sup> DALI-2 (Type 6) provided as standard. Please consult factory for DALI (Type 8) options

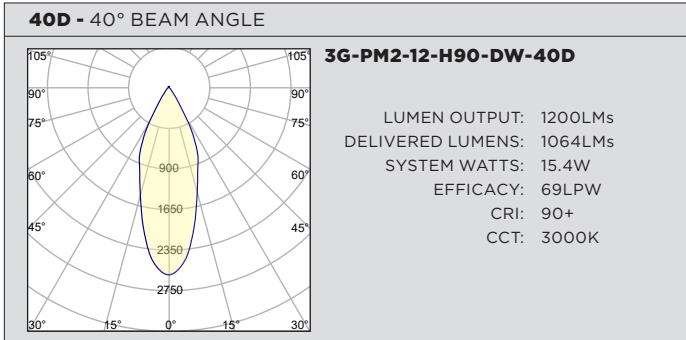
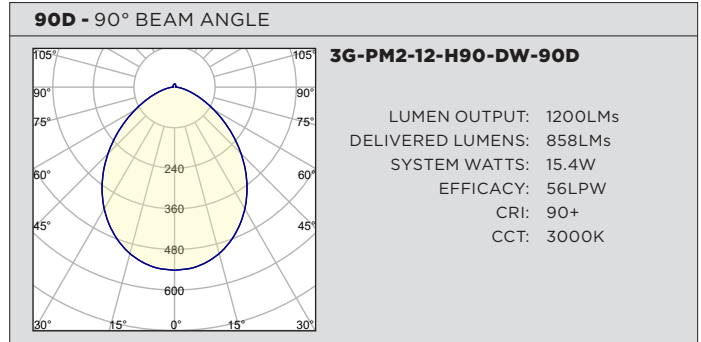
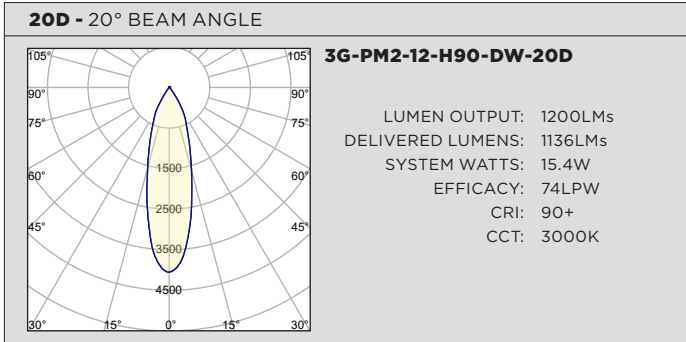
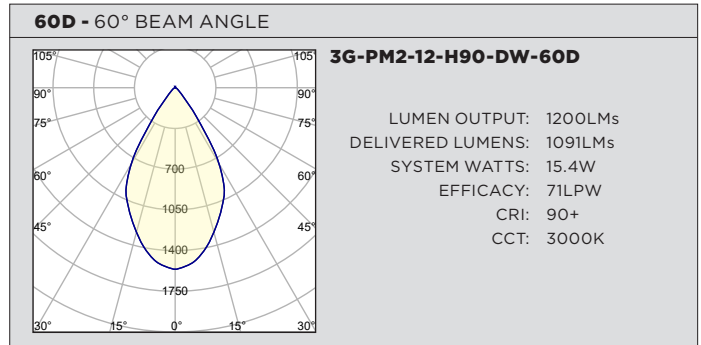
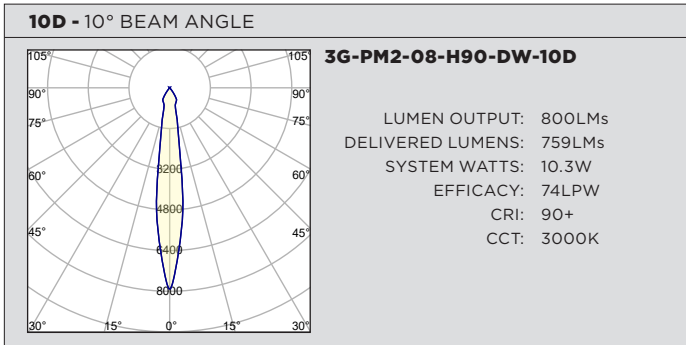
**3GD** - Warm Dim  
**3GT** - Tunable White

MAY 26, 2020

### PERFORMANCE CHART BASED ON 20° BEAM AND 3000K SOURCE (PER FIXTURE HEAD)

DIM TO WARM LUMEN OUTPUT	90+ CRI (3000K)		
	DELIVERED LUMENS	SYSTEM WATTS	EFFICACY (LPW)
800LMs	N/A	N/A	N/A
1200LMs	1136	15.4	74
2000LMs	1593	23.2	69

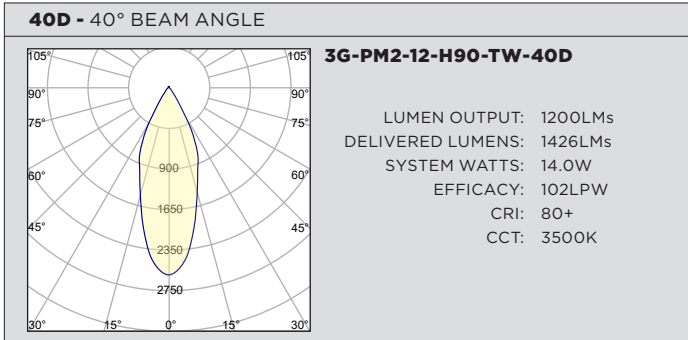
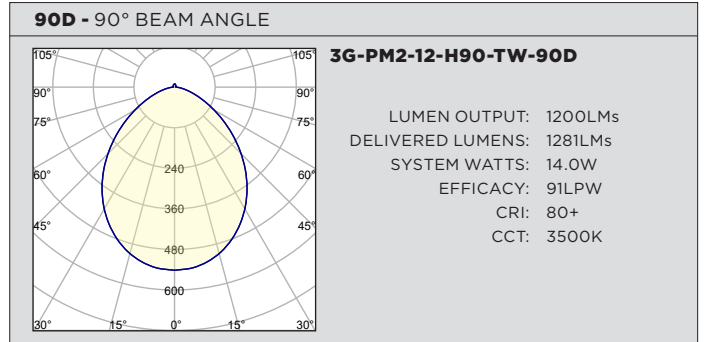
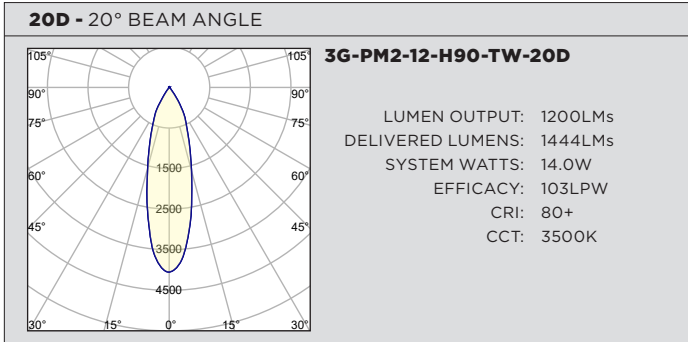
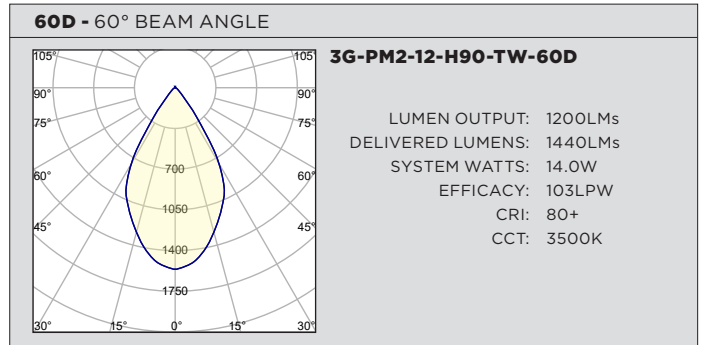
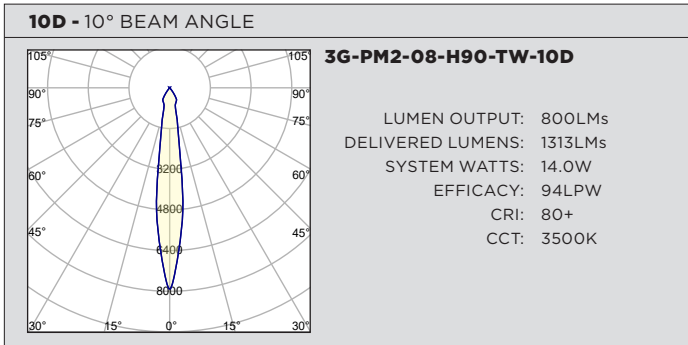
### PHOTOMETRY (PER FIXTURE HEAD)



### PERFORMANCE CHART BASED ON 20° BEAM (PER FIXTURE HEAD)

TUNABLE WHITE LUMEN OUTPUT	90+ CRI (2700K)			90+ CRI (3500K)			90+ CRI (6500K)		
	DELIVERED LUMENS	SYSTEM WATTS	EFFICACY (LPW)	DELIVERED LUMENS	SYSTEM WATTS	EFFICACY (LPW)	DELIVERED LUMENS	SYSTEM WATTS	EFFICACY (LPW)
<b>800LMs</b>	N/A	N/A	N/A	N/A	N/A	N/A	N/A	N/A	N/A
<b>1200LMs</b>	1066	16.6	64	1091	16.6	66	1221	16.6	74
<b>2000LMs</b>	1491	24.5	61	1561	24.5	64	1684	24.5	69

### PHOTOMETRY (PER FIXTURE HEAD)



**TECHNICAL****HOUSING**

Extruded aluminum housing with fabricated mitered corners  
Housing design features a beveled edge with no visible hardware  
Integral driver compartment fabricated in cold rolled steel  
Standard polyester powder coated interior and exterior available in matte white, matte black, and matte silver

**ADJUSTABILITY**

Solid aluminum, 70mm machined double gimbals with dual axis adjustability (45°x45°)  
Each double gimbal can be locked into place

**OPTICS**

Regressed LED source for enhanced glare control  
Proprietary anodized, aluminum reflectors are field replaceable (10° reflector not interchangeable)  
Available in 10°, 20°, 40°, 60°, and 90°  
Fixture head designed to accept 3 optical accessories

**ELECTRICAL**

Standard 0-10V, constant current drivers with 100-1% dimming range and >0.9 power factor  
Standard 120/277V universal voltage drivers. Optional 347V, 0-10V drivers  
120V Forward Phase/Reverse Phase driver option with 100-1% dimming range  
eldoLED 0-10V driver option available with 100-0.01% dimming range  
eldoLED DALI and Lutron EcoSystem driver options available with 100-1% dimming range  
DMX driver option available with 100-0% dimming range  
All drivers are integral and easily accessible through the top of the fixture housing

**LED SYSTEM**

Bridgelux LED module (field replaceable)  
Color consistency <3 SDCM  
Standard 90+ CRI  
Dim to Warm (1800K-3000K)  
Tunable White (2700K-6500K)  
L70 >50,000 hours  
5 Year Warranty

**MOUNTING**

Suitable for drywall, concrete, wood, grid ceiling, and other architectural ceilings (see mounting details)  
Adjustable aircraft cable suspension with locking fasteners (60" length standard)  
Standard, 18-gauge, 5 conductor single circuit power feed (clear braided finish)  
Fixture mounts to a standard junction box  
All mounting canopies provided in matte white powder coated finish as standard

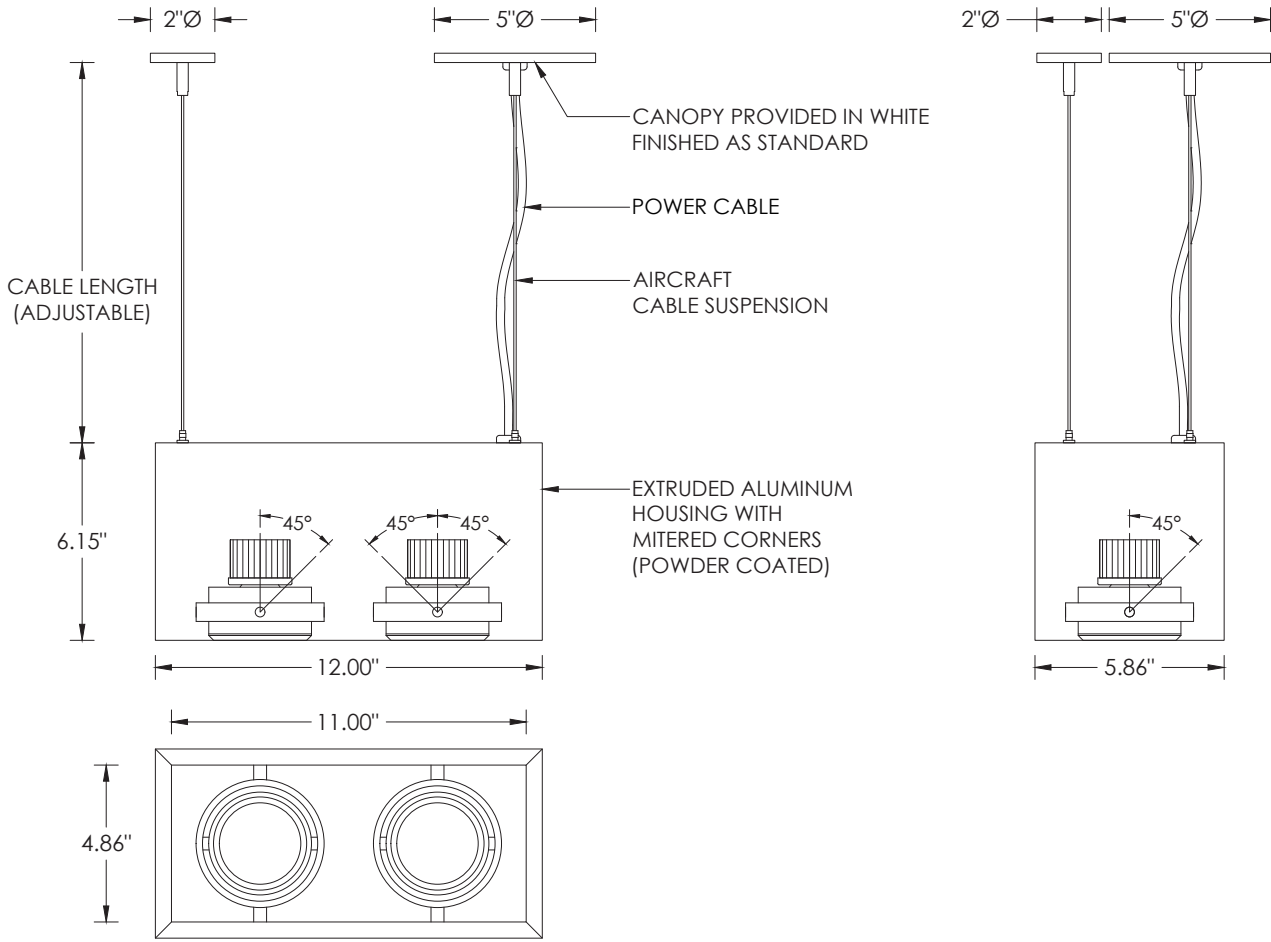
**LISTING**

ETL listed and tested to cUL standards. Suitable for dry and damp locations

**WARRANTY**

5 Year Warranty on LED and drivers  
Manufacturer 1 Year Warranty for defects in material and workmanship under normal use  
Ambient temperature at fixture should not exceed 25°C

### DRAWINGS AND DIMENSIONS



### MOUNTING DETAILS

