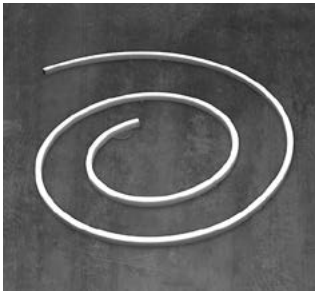


UNO SPIRAL

Spiral LED direct with frosted white acrylic diffuser



CONSTRUCTION

- Extruded aluminum outer housing
- Direct white frosted acrylic diffuser.
- Surface mount only.
- Drivers and/or DMX are remote mounted.
- Maximum remote driver distance is 100 ft., using 10AWG wire.
- cUL listed for dry locations only.

TYPE:	PROJECT:
ORDER NUMBER:	

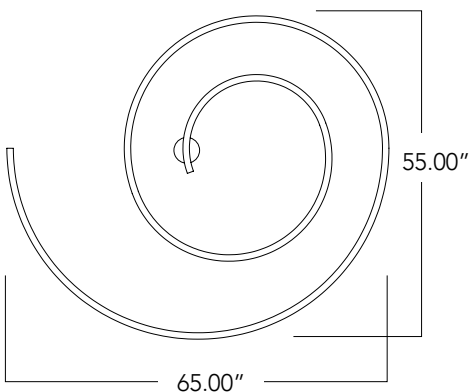
MODEL#	FINISH	LEDS	DIMMING
UCSPIRAL	S-Silver W-White K-Black CC-Custom*	W30 W35 W40 Red Blue SQ-RGB	D-Standard BDIM-W11 BDMXMOD

Example:

UCSPIRAL	S	W35	D
-----------------	----------	------------	----------

BTRAXW -Traxon Light Drive (enter quantity)		XP -Extra power cord (in inches, 25 ft. max.)	
XL -custom lumen reduction (specify lumens)		*CC -Custom (specify RAL color)	

UCSPIRAL



UNO SPIRAL

Spiral LED direct with frosted white acrylic diffuser



WHITE LEDS

Nichia Corp. NFSL757 tight bin chips on aluminum boards. Specify color: W30–3000° Kelvin, W35–3500° Kelvin, or W40–4000° Kelvin. 90 CRI.

COLOR LEDS

Flexible 5050 tapelights. Specify **R**–Red, **B**–Blue, or **SQ**–RGB Sequencer. **SQ** includes **BDMXMOD**–DMX 512 RGB interface; or order **BTRAXW**–Traxon Light Drive DMX wall box separately (see below). 12V constant voltage driver for single color, 24V for RGB sequencer.

WATTS / LUMENS

WATTS	DELIVERED LUMENS
84	8,365

REMOTE DRIVERS

All drivers must be remote mounted, and accessible after installation. For suspended and hard lid ceilings with access panels. Canopy mounts to mud ring attached to J-box, which must be attached to structure capable of supporting 75 lbs.

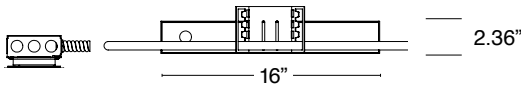
NOTE: Multiple drivers must be mounted no less than 4 inches apart side-by-side, and 1 inch apart end-to-end, to avoid overheating.

Standard pendant length: 8 ft. Specify **XP** for extra pendant. Maximum canopy to fixture distance: 25 ft. Maximum canopy to driver distance: 100 ft. (with 10 AWG wire).



Remote Driver Canopy
3.8 x 0.45 in.

Remote driver installation.



DIMMING

- **D**–standard supplied driver. 0–10V, programmable, 1% dimming, 120/277V, 50/60 Hz.
- **BDIM-W11**–Lutron EcoSystem LED14 Series, 1% dimming, fade-to-off. Remote (**SR**, **CR**, **NCR**) install only.

CUSTOM LUMEN OUTPUT REDUCTION

Factory set custom reduced-lumen output driver configuration. Order **XL**. Specify lumens..

TRAXON/OSRAM LIGHT DRIVE**

BTRAXW–white faceplate

- Standalone, wall-mounted (12V power supply included) DMX controller for RGBW LED that provides direct access to fixtures.
- Tune color and brightness with the Light-Drive wheel.
- Fully dimmable white mode button.
- See <http://www.osram.com/ecue> for details.

ACRYLIC DIFFUSER CLEANING

WARNING: Do not clean with ammonia based cleaners (e.g. Windex®). Use only water or cleaners specifically formulated for cleaning plastics.