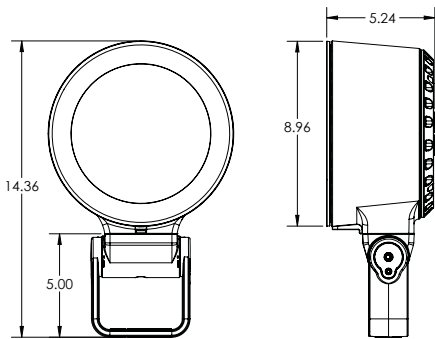
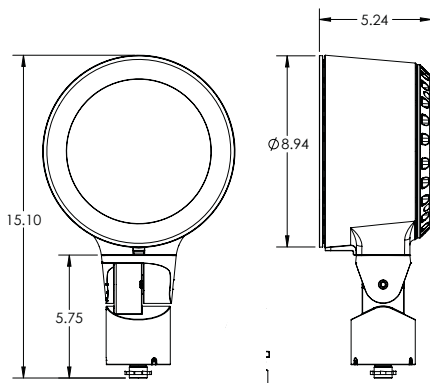



Specifications

Weight:	15lbs
EPA:	KM: .73 YM: .71

DIMENSIONS

YOKE

KNUCKLE

SAF7 RGB SPECIALTY ARCHITECTURAL FLOOD MVOLT LED

HIGHLIGHTS

- Suitable for a variety of mounting applications including ground, wall, pole, stanchion
- 3G vibration rating for per ANSI C136.31
- DMX/RDM
- Taper-Lock technology provides full aiming integrity utilizing both a rugged knuckle and yoke design
- 1,270lm
- IK10 option available
- Minimalist design that provides clean and intentional lines and transitions
- Slightly convex watershed lens that evades water build up and staining
- Industry leading flow through design achieve with separately sealed optical chamber and driver
- NOM Listed



IP68



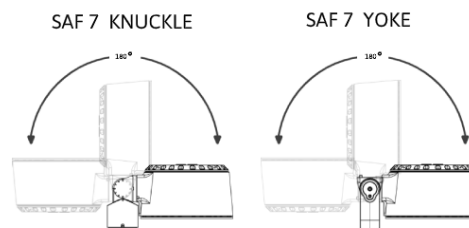
Buy American

LUMEN PACKAGES

	10DEG	15DEG	20DEG	30DEG	40DEG	50DEG	70DEG
Deliverd Lumens	1,274	1,216	1,208	1,192	1,172	1,164	1,128
Watts	41	41	41	41	41	41	41
LPW	31	30	29	29	29	28	28
Max Candela	32,068	10,821	7,414	3,005	1,746	1,265	770
	15Vx60H	30Vx60H	60Vx15H	60Vx30H			
Deliverd Lumens	1,243	1,200	1,163	1,147			
Watts	41	41	41	41			
LPW	30	29	28	28			
Max Candela	3,111	1,715	3,225	1,631			

Note: Information based on RGB

STANDARD DISTRIBUTION

AIMING DETAIL


ORDERING INFORMATION

EXAMPLE: SAF7 LED P1 RGB MVOLT 10DEG CWL KM CJB L1 DMX BL

SAF7													
Series*		Source*	Performance Packages*	LED Dynamic Range*	Voltage*	Distribution*		Lens*		Mounting*			
SAF7	Specialty Architectural Flood	LED	P1	RGB	MVOLT	10DEG	10°	CWL	Clear Watershed Lens	KM	Knuckle		
						15DEG	15°					YM	Yoke
						20DEG	20°						
						30DEG	30°						
						40DEG	40°						
						50DEG	50°						
						70DEG	70°						
						15VX60H	15° x 60°						
						30VX60H	30° x 60°						
						60VX15H	60° x 15°						
60VX30H	60° x 30°												
<p>Note: CWL lens IK07. For IK10 use external WRG option</p>													
Mounting Accessories		Options Internal Accessory		Options	Control Input*	External		Finish*					
ADPMR	Architectural Decorative Pole Mount Round	L1	Prismatic Lens	CSL_ 10' - 50' of cord available in 5' increments	DMX	GS	Glare shield	BL	Black Textured				
ADPMS	Architectural Decorative Pole Mount Square	L2	Linear Spread Lens			FGS	Full Glare Shield	BRS	Bronze Smooth				
AMPC_/_	Architectural Mid Pole Clamp available to fit on a 4" or 6" pole with 1 or 2 fixtures	L3	Softening Lens			<p>Note: Cord length required for Yoke Mounting only</p> <p>Note: Only one Internal accessory can be chosen</p> <p>Hardware</p>	WRG	Wire Rock Guard	BRT	Bronze Textured			
APAR	Round 18" Pole Mount	IHL	Honeycomb Louver	CF	Custom Finish								
APAS	Square 18" Pole Mount			DBL	Black Smooth								
AWSC	Architectural Wall Splice Cover			DDB	Designer Bronze								
CAJB	Cylindrical Architectural Junction box			DNA	Natural Aluminum								
CJB	Cylindrical Junction Box			NBS	Natural Bronze Smooth								
CPM	Cylindrical Pedestal Mount			VET	Verde Textured								
CPMSA	Cylindrical Pole Mount Splice Access			WH	White Textured								
CSM_	Cylindrical Stacion Mount 12"-48" available in 6" increments			WHS	White Smooth								
CWMA_E	Cylindrical Wall Mount Arm. End 12"-48" (available in 6" increments)			_Z	Zinc Undercoat (i.e.BLZ)								
CWMA_T	Cylindrical Wall Mount Arm Top 12"-48" (available in 6" increments)			LASC	Safety Cable								
								CF	Custom Finish				
								RALTB	RAL Paint Finishes				
<p>Note: RALTB for pricing only, replace with applicable RAL call out when ready to order. See the RALBROCHURE for available options. It is recommended that Hydrel products only use textured paint.</p>													

*Required Fields

PERFORMANCE DATA

LUMEN OUTPUT – SAF7_RGB

Lumen values are from photometric tests performed in accordance with IESNA LM-79-08. Data is considered to be representative of the configurations shown, within the tolerances allowed by Lighting Facts. Actual performance may differ as a result of end-user environment and application. Contact factory for performance data on any configurations not shown here.

Performance Package	System Watts	Distribution Type	Field Angle		Beam Angle		RGB		
			°H	°V	°H	°V	Max CD	Lumens	LPW
P1	41	10DEG	18	18	9	9	32,068	1,274	31
		15DEG	32	32	16	16	10,821	1,216	30
		20DEG	39	39	20	20	7,414	1,208	29
		30DEG	61	61	33	33	3,005	1,192	29
		40DEG	78	78	47	47	1,746	1,172	29
		50DEG	90	90	56	56	1,265	1,164	28
		70DEG	111	111	77	77	770	1,128	28
		15Vx60H	95	34	66	16	3,111	1,243	30
		30Vx60H	98	61	66	33	1,715	1,200	29
		60Vx15H	33	93	16	65	3,225	1,163	28
60Vx30H	62	100	34	68	1,631	1,147	28		

CSA LISTING TEMPERATURE: -20°C though 40°C

ELECTRICAL LOAD

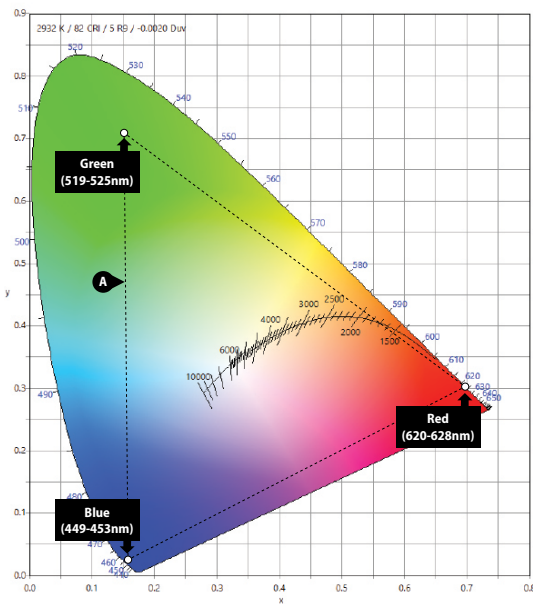
Light Engines	Drive Current (mA)	System Watts	Current (A)			
			120	208	240	277
RGB P1 10+deg	690	41	0.34	0.20	0.17	0.15

LUMEN AMBIENT TEMPERATURE (LAT) MULTIPLIERS

Use these factors to determine relative lumen output for average ambient temperatures from 0-40°C (32-104°F)

Ambient		RGB Lumen Multiplier
0°C	32°F	1.27
10°C	50°F	1.16
20°C	68°F	1.05
25°C	77°F	1.00
30°C	86°F	0.94
40°C	104°F	0.83

RGB GAMUT AND RANGE



A RGB Range within triangle formed by RGB

- The Gamut of a luminaire determines the potential color range, specifically the dominant wavelength of each primary color.
- The Path determines the range of colors the user can select for the luminaire.

ARCHITAINMENT COLOR GPHD

- **Gamut** Triangular
- **Path** Full RGB gamut
- **Handle** Three Handles: Red, Green, Blue
- **Data** DMX512/RDM

The RGB Range reaches the full range of saturated colors and subtle pastels to create bold transformational effects.

Optical Scaling Charts*	
Symmetric Distributions (10DEG - 70DEG)	
GS	0.96
FGS	0.95
IHL	0.76
L1	0.95
L2	0.95
L3	0.97
WRG	0.81
*Wider distributions will have a lower scaling factor - see individual IES files for full details	
Asymmetric Distributions (xxVXxxH)	
GS	0.93*
FGS	0.85*
IHL	0.35
L1	0.88
L2	0.86
L3	0.95
WRG	0.71
Note: This table can be used to approximate the lumen values with different accessories. Please see IES files for exact lumen outputs.	

SAF MOUNTING ACCESSORIES

		Part #
	<p>ADPMR/ADPMS Architectural Decorative Pole Mount Round or Square</p> <ul style="list-style-type: none"> • Architectural opulent design for seamless pole integration and fixture aiming • Intended for 4" round and tapered poles or minimum 4" square poles • Mounting location on the top of each arm accepts one lighting fixture • Designed for SAF7 & SAF14 fixtures 	<p>Examples: ADPMR 78C BL See spec sheet for more options</p>
	<ul style="list-style-type: none"> • AMPC Architectural Mid Pole Clamp • Clamp pole mount design for quick install and fixture aiming • Intended for 4" or 6" round straight pole • Mount one or two fixtures • Mounting location mid pole • Designed for SAF7 and SAF14 series with safety cable option 	<p>Example: AMPC4/1 78C BL See spec sheet for more options</p>
	<p>APAR/APAS Architectural Pole Arm Round or Square</p> <ul style="list-style-type: none"> • Intended for 4" round and tapered poles or minimum 4" square poles • Mounting location on the top of each arm accepts one lighting fixture • Designed for SAF7 & SAF14 fixtures 	<p>Example: APAS XLSC BRS See spec sheet for more options</p>
	<p>AWSC Architectural Wall Splice Cover</p> <ul style="list-style-type: none"> • Designed to be mounted over a recessed wall box or can be surface mounted for direct conduit entrance • Supplied with an integral splice access compartment for easy fixture connections • Designed for SAF7 & SAF14 fixtures 	<p>Example: AWSC 78C DNA See spec sheet for more options</p>
	<p>CAJB Cylindrical Architectural Junction Box</p> <ul style="list-style-type: none"> • Designed for architectural and landscape applications • Recommended for mounting on a rigid metallic conduit • For direct mounting of the SAF7 & SAF14 series light fixtures 	<p>Example: CAJB 34B XLSC DBL See spec sheet for more options</p>
	<p>CJB Cylindrical Junction Box</p> <ul style="list-style-type: none"> • Drilled and tapped to 3/4" NPT specifications • For larger hole sizes, consult factory • Recommended to seal conduit to maintain dry components • Compatible with SAF7 & SAF14 Flood luminaires 	<p>Example: CJB 34S XLSC VET See spec sheet for more options</p>

SAF MOUNTING ACCESSORIES

		Part #
	<p>CPM Cylindrical Pedestal Mount</p> <ul style="list-style-type: none"> • Suitable for architectural and landscape applications • Provided with front access cover for easy wiring and installation. • Compatible with SAF7 & SAF14 Flood luminaries 	<p>Example: CPM 78C BL See spec sheet for more options</p>
	<p>CPMSA Cylindrical Pole Mount Splice Access</p> <ul style="list-style-type: none"> • Designed to mount atop of 4" round poles • Provided with splice compartment • Compatible with SAF7 & SAF14 Flood luminaries 	<p>Example: CPMSA 78C DBL See spec sheet for more options</p>
	<p>CSM Cylindrical Stanchion Mount</p> <ul style="list-style-type: none"> • Available in heights from 12" to 48" in 6" increments • Provided with front access cover for easy wiring and installation. • Compatible with SAF7 & SAF14 Flood luminaries 	<p>Example: CSM12 XLSC BRT See spec sheet for more options</p>
	<p>CWMA E/CWMA T Cylindrical Wall Mount Arm End or Top</p> <ul style="list-style-type: none"> • Available in lengths from 12" to 48" in 6" increments • Supplied with splice cover for easy wiring and installation • End mounting only available with SAF7 • Compatible with SAF7 & SAF14 Flood luminaries 	<p>Example: CWMA30E 78C BL CWMA12T XLSC BRS See spec sheet for more options</p>

EXTERNAL ACCESSORIES

		Part #
	<ul style="list-style-type: none"> • WRG- Wire Rock Guard 	<p>Example: WRGSAF7 BL</p>
	<ul style="list-style-type: none"> • FGS- Full Glare Shield 	<p>Example: FGSSAF7 DDB</p>
	<ul style="list-style-type: none"> • GS- Glare Shield 	<p>Example: GSSAF7 BL</p>

ACCESSORY OPTIONS

FRESCO CONTROL SYSTEM

Series	Model	Options	Finish
FCS Fresco Control System	7TSN 7" touchscreen with nLight port	X DMX/RMD control	DBL Black DWH White DNA Natural Aluminum

Refer to [FRESCO](#) spec sheet for additional details and options.

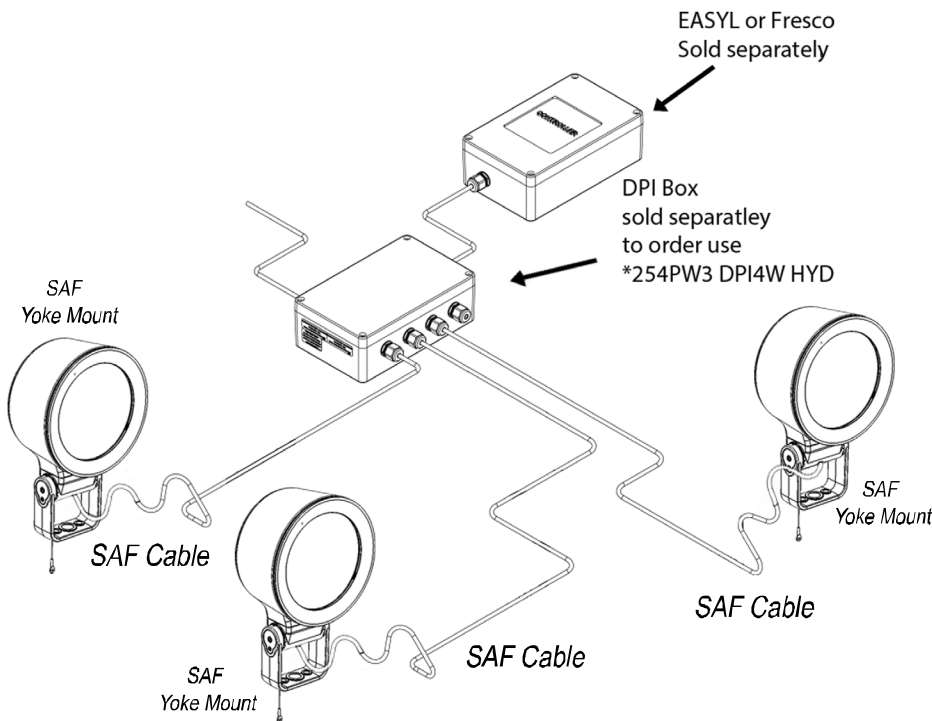


DMX / POWER INTEGRATOR

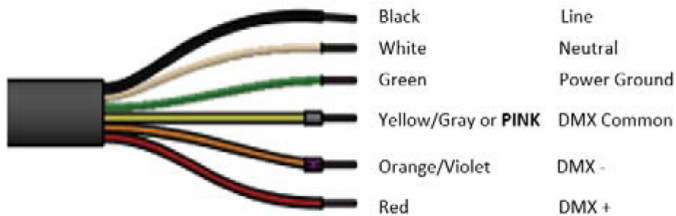
Model
DPI4WHYD DPI4WHYD - DMX/Power Integrator Box

Refer to [DPI4WHYD](#) spec sheet for additional details.





Wiring Detail - DMX RGB Fixture



FEATURES & SPECIFICATIONS

MATERIAL: Die cast copper-free aluminum (A360) housing & doors with separate optical and driver compartments to ensure thermal isolation of the electronic drivers and LED's.

VOLTAGE: MVOLT 120V-277V, 50/60Hz.

DISTRIBUTION: Available in 10DEG, 15DEG, 20DEG, 30DEG, 40DEG, 50DEG, 70DEG, 15Vx60H, 30Vx60H, 60Vx15H and 60Vx30H.

LENS: Molded from heat strengthened borosilicate glass for superior clarity and strength.

MOUNTING: Adjustable knuckle is 1/2" NPT. Yoke mount is a 7/8" thru hole center and (2) 7/16" thru holes 2.2" on center. Aluminum knuckle, yoke, & stainless steel locking hardware with infinite aiming adjustment capabilities and a wide array of mounting accessories. The SAF series can withstand up to a 3G vibration load rating per ANSI/IEEE C136.31. Yoke mount luminaires are provided with 10' or 25' of 18-6 ST cord for power supply and control. Knuckle mount luminaires are provided with 18" leads (qty 3 #18 for power supply and qty 3 #22 for control).

GLARE CONTROL: External glare control options include full glare shields and half glare shields.

FINISH: Exterior parts are protected by a zinc-infused durable TGIC thermoset powder coat finish that provides superior resistance to corrosion and weathering. A tightly controlled multi-stage process ensures a minimum 3 mils thickness for a finish that can withstand extreme climates without cracking or peeling.

ELECTRICAL: MVOLT (120-277) LED class 2 power supply. 40 watts max, L83 lifetime ≥ 100,000 hours at 25°C. Power factor > 90%, THD < 20%. 6kV surge protection meets a minimum Category C low operation per ANSI/IEEE C62.41.2.

FEATURES: Taper lock knuckle and yoke for infinite aiming and an unparalleled locking ability.

EXTERNAL ACCESSORY: Impact resisitant rock guard.

BUY AMERICAN: Hydrel products are assembled in the USA. Our products meet the Buy America(n) government procurement requirements under FAR, DFARS, and DOT. Please refer to www.acuitybrands.com/buy-america

LISTING: cCSAus, suitable for outdoor & wet location, IP68 rated.

WARRANTY: 5-year limited warranty. Complete warranty terms located at: www.acuitybrands.com/support/warranty/terms-and-conditions

Consult factory for details

NOTE: Actual performance may differ as a result of end-user environment and application. All values are design or typical values, measured under laboratory conditions at 25 °C. Specifications subject to change without notice.