



Client:

Project:


Type:

Order Code:

Quantity:

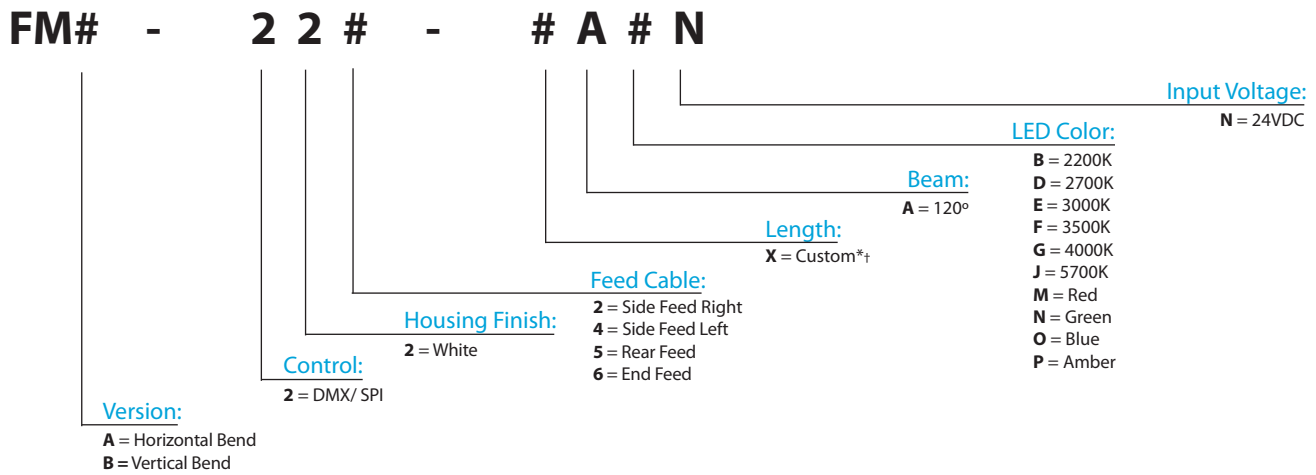
Flex Tube Mini is a flexible, direct view, outdoor LED strip, with a compact 0.4" x 0.4" profile. It comes in a 15M spool or custom-built lengths to suit project requirements and features a highly durable second-generation silicone body, which is outdoor rated and high impact resistant.

SPECIFICATIONS

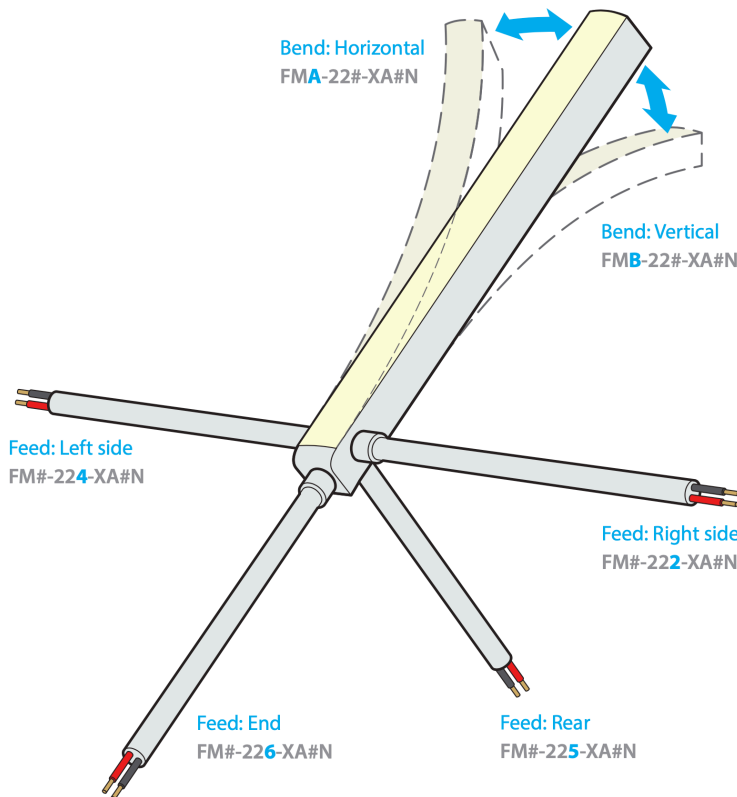
Colors	2200K, 2700K, 3000K, 35000K, 4000K, 5700K, Red, Green, Blue, Amber
Beam Angle	120°
Photometrics	Up to 102 lumens per foot, see page 4 for details
Strip Length	Built to order lengths from 3.28" (83.34mm) to 49.2' (15M)
Dimming & Channel Count	DMX/RDM (0-100%), 0-10V (10-100%), or DALI (0-100%) via AL Driver Series, 1 channel
Bend Directions & Radius	Vertical bending or horizontal bending options, minimum bend radius of 3.93" (100mm)
Power Consumption	1.37W per foot, 4.5W per meter
Operating Voltage	24VDC
Lumen Maintenance	L70 @ 50,000 hours (25° C)
Mounting	Aluminum mounting channel required, 1.37" (35mm), 3.28' (1m), or 6.56' (2m) lengths
Finish	White
Material	Silicone
Ambient Operating Temperature	-40° F to 131° F (-40° C to 55° C)
IP Rating	IP67, wet location
IK Rating	IK08, protection against 5 joule impact
Fixture Connectors	16.4' (5M) injection molded feed cable and end cap included
Warranty	5 Years, limited
Weight	4.3 lbs (1.95 kg) - 15M Spool
Dimensions	L: As specified W: 0.4" H: 0.43" / L: As specified W: 10mm H: 11mm
Certifications	 

ORDER CODES

* indicates special order

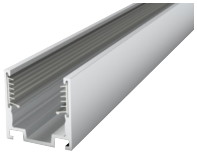


†: When ordering custom lengths, please specify number of 3.28" (83.34mm) sections required after X (49.2', 15M maximum).
 Example order code: **FMA-225-X180AEN = 83.34mm x 180 / 15m spool**



RELATED COMPONENTS

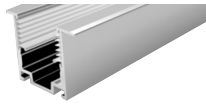
Mounting Accessories



FMCH20
 20mm (0.78") Gen 2 mounting channel
 Aluminum profile, includes 2 screws

FMCH1000
 1M (3.28') Gen 2 mounting channel
 Aluminum profile, includes 5 screws

FMCH2000
 2M (6.56') Gen 2 mounting channel
 Aluminum profile, includes 10 screws

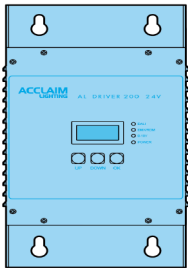


FMRCH20
 20mm (0.78") Gen 2 recessed mounting channel
 Aluminum profile, includes 2 screws

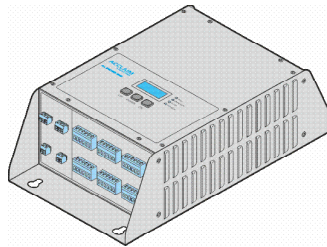
FMRCH1000
 1M (3.28') Gen 2 recessed mounting channel
 Aluminum profile, includes 5 screws

FMRCH2000
 2M (6.56') Gen 2 recessed mounting channel
 Aluminum profile, includes 10 screws

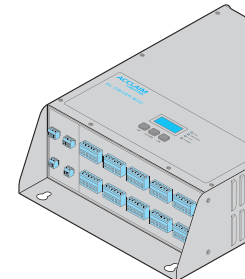
DMX Multi Protocol Drivers AL Driver 200/400/800



ALD-200-24 C2
 AL Driver 200 24V, 2 spools max
 200W 24V Class 2 power supply
 DMX, 0-10V (sink & source) & DALI driver
 4 output ports, 100-277VAC input



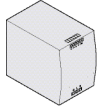
ALD-400-24 C2
 AL Driver 400 24V, 5 spools max
 400W 24V Class 2 power supply
 DMX, 0-10V (sink & source) & DALI driver
 6 output ports, 100-277VAC input



ALD-800-24 C2
 AL Driver 800 24V, 10 spools max
 800W 24V Class 2 power supply
 DMX, 0-10V (sink & source) & DALI driver
 10 output ports, 100-277VAC input

RELATED COMPONENTS

Power Supplies (for use with single channel drivers or non dimming applications)



APS-240-24

3 spools maximum

240W, 24VDC, Dry location, DIN rail mount
115-230VAC (47-63Hz) input



APS-300-24-IP

4 spools maximum

300W, 24VDC, IP66 Damp location
100-277VAC (50-60Hz) input

APS-480-24

6 spools maximum

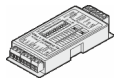
480W, 24VDC, Dry location, DIN rail mount
115-230VAC (47-63Hz) input

APS-100-24

1 spool maximum

96W, 24VDC, Dry location
100-277VAC (50-60Hz) input

Single Channel Multi Protocol Driver (for use with stand alone power supplies above when dimming is required)



ALD001

AL Driver 1

Single channel DMX + 0-10V (sink & source) driver, 0-100% dimming range
6-24VDC input, 1 spool maximum
Use in conjunction with APS series

0-10V + TRIAC (Forward Phase) Drivers



MLE96-24DC-UD

24VDC PWM Driver, 1 spool max

96W 24V Class 2 LED Driver, 5-100%
0-10V (sink) & TRIAC (forward phase) dimming
100-277VAC input



MLE192-24DC-UD

24VDC PWM Driver, 2 spools max

192W 24V Class 2 LED Driver, 5-100%
0-10V (sink) & TRIAC (forward phase) dimming
100-277VAC input



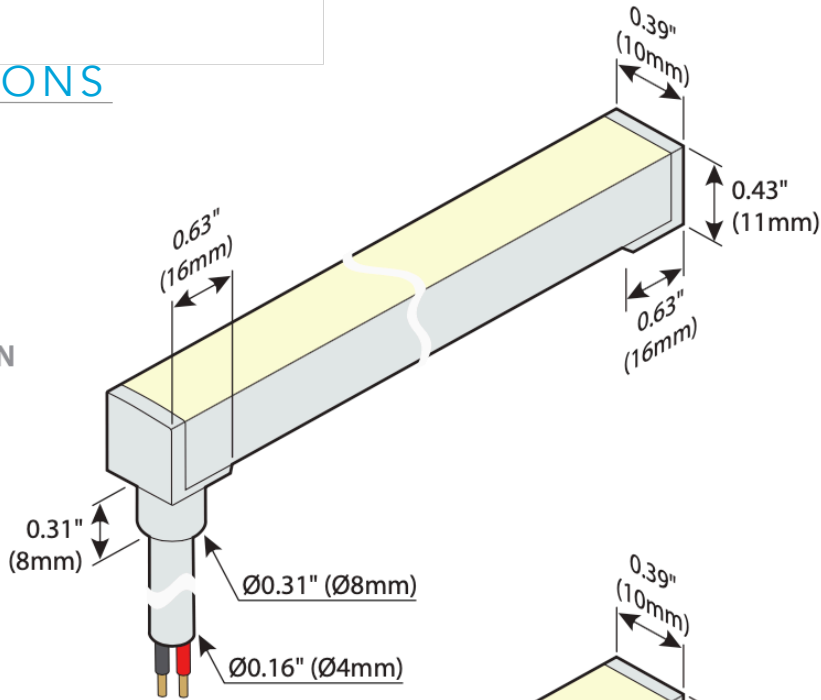
MLE288-24DC-UD

24VDC PWM Driver, 3 spools max

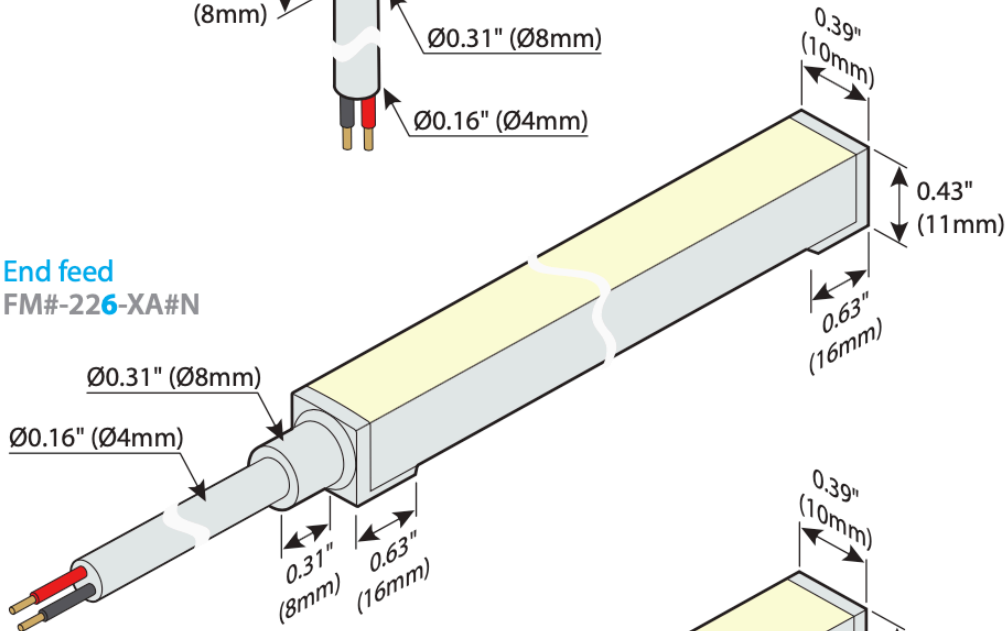
288W 24V Class 2 LED Driver, 5-100%
0-10V (sink) & TRIAC (forward phase) dimming
100-277VAC input

DIMENSIONS

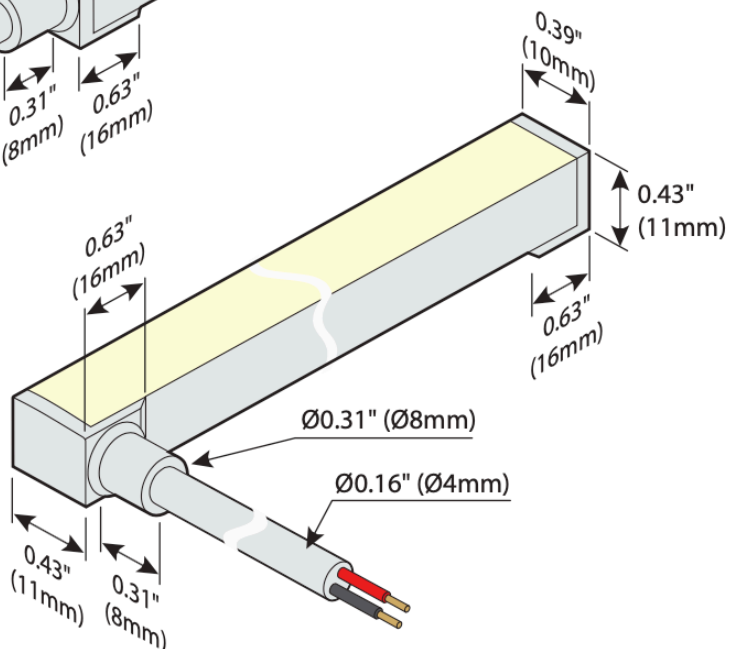
Rear feed
FM#-225-XA#N



End feed
FM#-226-XA#N



Left side feed
FM#-224-XA#N

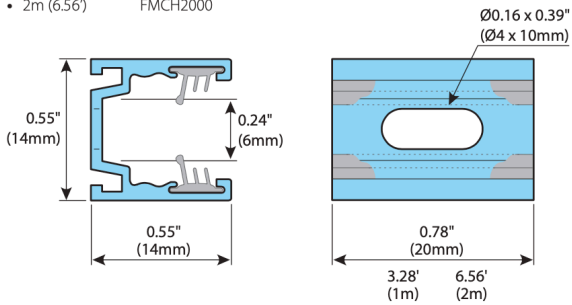


Right side feed
FM#-222-XA#N

DIMENSIONS

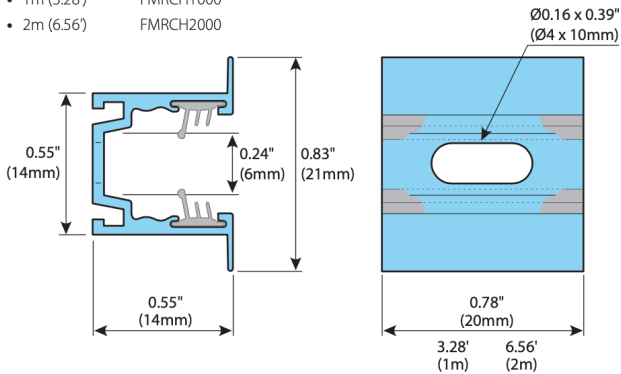
Surface mounting channel

- 20mm (0.78") FMCH20
- 1m (3.28') FMCH1000
- 2m (6.56') FMCH2000



Recessed mounting channel

- 20mm (0.78") FMRCH20
- 1m (3.28') FMRCH1000
- 2m (6.56') FMRCH2000



PHOTOMETRICS

Color	Lumens (per foot)	Max Candela	CRI	TM-30
2200K	81.6	26.5	84.2	86.2
2700K	102	32.5	83.6	85.6
3000K	100	31.9	84.2	85.8
3500K	TBA			
4000K	100	31.9	84.2	85.8
Green	115	36.6	-	-
Red	33.7	10.8	-	-
Blue	22.5	7.06	-	-
Amber	38.1	12.2	-	-