

OVERVIEW

Easy™ DIN is a self-contained DMX show controller supporting 12 shows that can be triggered via touchscreen control, hard button digital stations, and/or a dry contact closure. The integral astronomic time clock supports normal and holiday schedules, and automatically adjusts for daylight savings time. Battery backup ensures at least 15 years of operation without loss of clock setting and show schedules despite power interruptions.

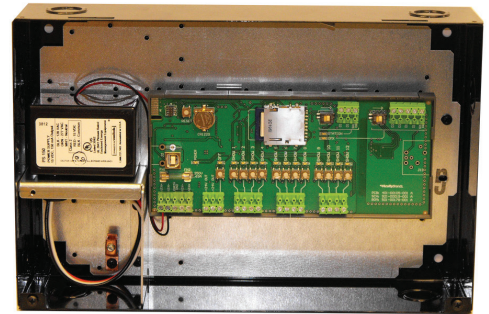
The Easy™ DIN controller is provided in a painted steel enclosure with a pre-wired power supply and easily wired terminals for quick field installation. Status LEDs and manual trigger buttons on Easy™ DIN simplify system validation.

Programmed via Easy™ Studio software and downloaded via USB or swappable SD cards, it is easy to install, copy and edit shows on any Easy™ DIN controller. Easy™ DIN Power Supply The Easy™ DIN is provided in a painted steel enclosure and with a universal power supply installed. Input mains voltage may be from 120 to 277V, 50/60Hz.



Fresco™

Easy™ DIN
DMX Show Controller



Warranty

Two-year limited warranty. Complete warranty terms located at:
www.acuitybrands.com/CustomerResources/Terms_and_conditions.aspx

Note: Actual performance may differ as a result of end-user environment and application.

Specifications subject to change without notice.

ORDERING INFORMATION

EZDIN		Example: EZDIN 120/277
Series	Supply Voltage	
EZDIN DMX show controller with both digital and contact closure inputs as show triggers	120/277	120 or 277 VAC

SPECIFICATIONS

FUNCTIONAL

- DMX Controller (full universe)
- Internally stores 12 shows
- Black painted steel enclosure

ELECTRICAL

- Input Voltage: 120/277VAC, 50/60Hz
- Input Power: 1.0W nominal
- Current: 40mA max

ENVIRONMENTAL

- Operating Temp: 14 to 105F (-10 to 40C)
- Storage Temp: -14 to 160F (-26 to 71C)
- Relative Humidity: 90% non-condensing

DIMENSIONS

- All dimensions are inches (millimeters)
- Size: 8.25" H X 12.75" W X 3.5" D (209.5 x 323.85 x 89)
- Weight: 6 LB (2.72Kg)

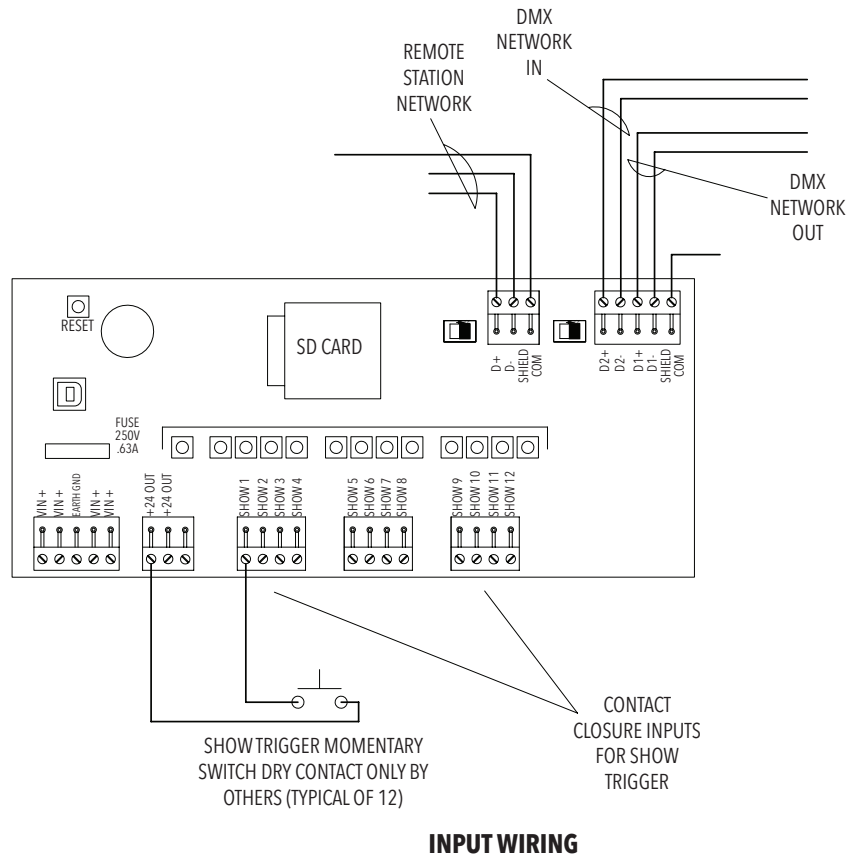
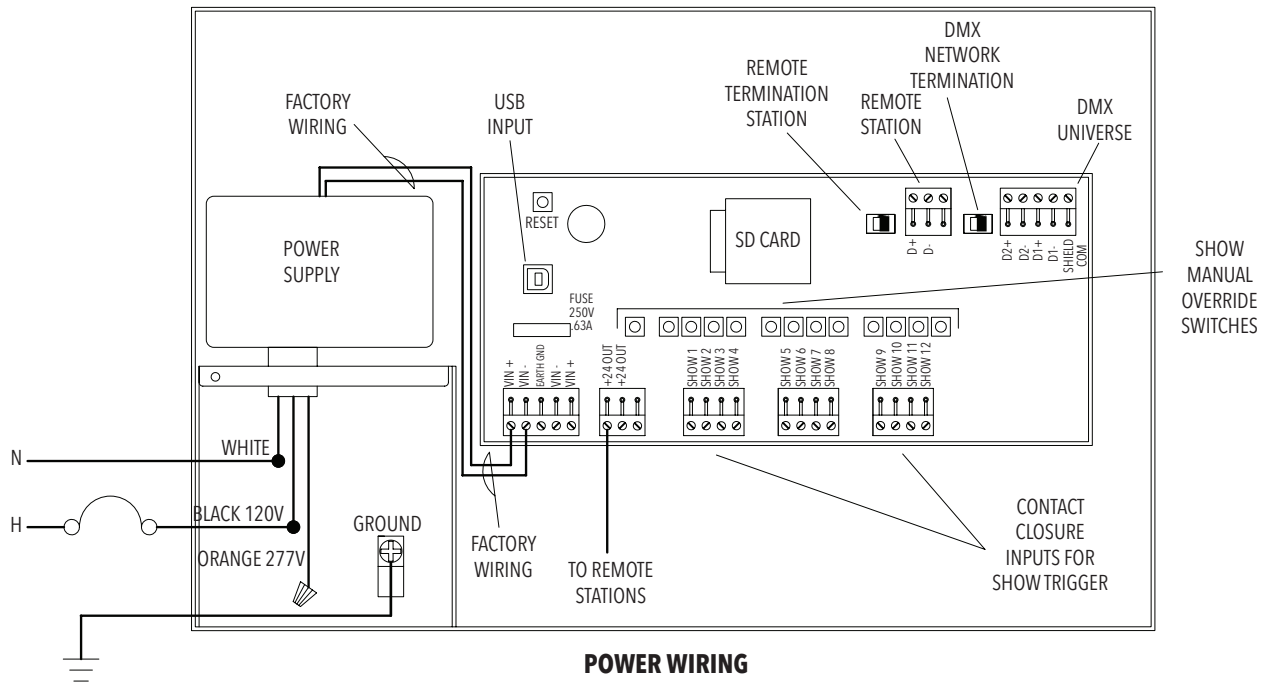
OTHER

- Compatible with DMX512-A ANSI E1.11-2008
- Compatible with DMX512 RDM ANSI E1.20-2006
- DMX Channels: 512
- Standalone Memory: 20 hours of shows (Pro only)
- Show Capacity: 12
- Made in the USA
- 3 Year Limited Warranty

STANDARDS

- UL/CUL
- Plenum Rated

WIRING DIAGRAMS



Easy™ DIN Features

Preprogrammed shows, rainbow feature, chase feature

Compatible with DMX512 and RDM fixtures

Operates with EZ RB 1-9 Button wallstations

Operates with EZ RTS remote touchscreens

Astronomic time clock with advanced control (play show, set color, remote touchscreen or wallstation disable)

Computer based software for multi area show creation

Dynamic white control

Allow temporary "override" and returns to previously playing show