

OVERVIEW

The DXT LPDD lighting control panels provide unified DMX512 control of 0-10VDC outputs and relay switching in a single enclosure. Intended for use with LED drivers requiring mains switching and 0-10V dimming, and for electronic fluorescent ballasts. The interface provides single DMX512 channel control over the relay and analog output pairs, or allows separate DMX control of relays and analog outputs. The interface also provides full non-sequential DMX soft-patch for maximum flexibility.

FEATURES

- Eight or sixteen normally-closed (NC) single-pole latching relays
- Sixteen analog 0-10V outputs
- Easy, front panel configuration
- LED indicators for Power, DMX IN, processor and relay state
- Adjustable DMX start address, or each output may be assigned a non-sequential DMX address
- Analog outputs may be paired with relays for unified single DMX channel control, or control of relays and analog output may be split by assigning different DMX addresses to each
- Outputs may be patched to Auxiliary Input dry contact inputs
- User-settable relay trigger thresholds
- Test features include on-board relay test and review of incoming
- DMX levels, on a channel-by-channel basis
- DMX Thru connector and termination switch
- Discoverable and configurable using RDM

IMPORTANT NOTICE: Acuity Controls has determined that some LED luminaire manufacturers are providing non-isolated fixture drivers with non-Class 2, 0-10V dimming options. The DXT LPDD is not intended for use with non-isolated or Class 1 fixture drivers. Use of non-isolated drivers may result in damage to the unit. **This damage is not covered under warranty.**

Warranty

Two-year limited warranty. Complete warranty terms located at: www.acuitybrands.com/CustomerResources/Terms_and_conditions.aspx

Note: Actual performance may differ as a result of end-user environment and application.

Specifications subject to change without notice.

ORDERING INFORMATION

LPDD	
Series	Description
DXT	LPDD8 LED Control Panel–8 relay/16 Analog outputs LPDD16 LED Control Panel–16 relays/16 Analog outputs LPDD RNCL Spare Normally Closed relay



Fresco™

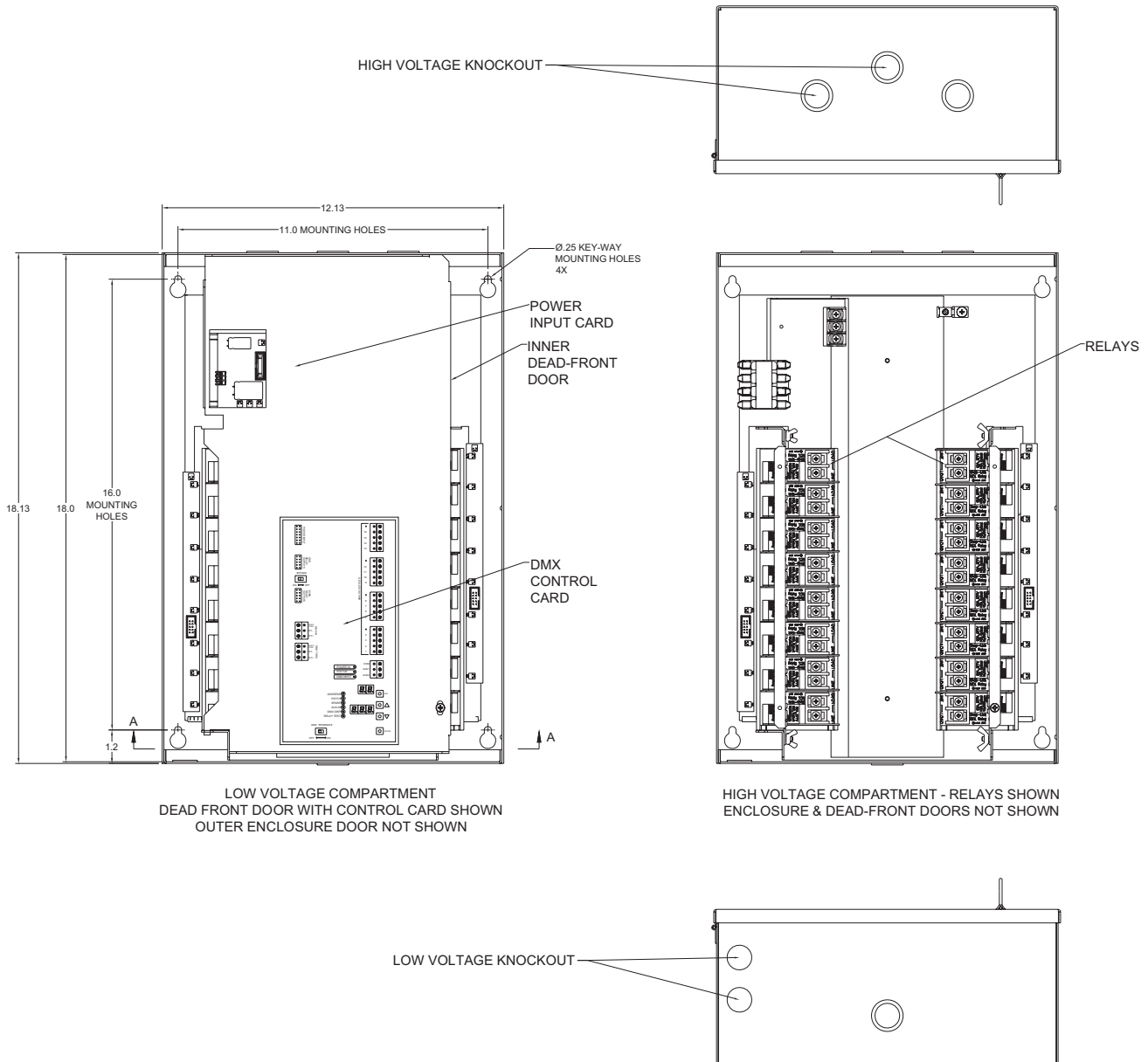
DXT LPDD
Lighting Control Panel



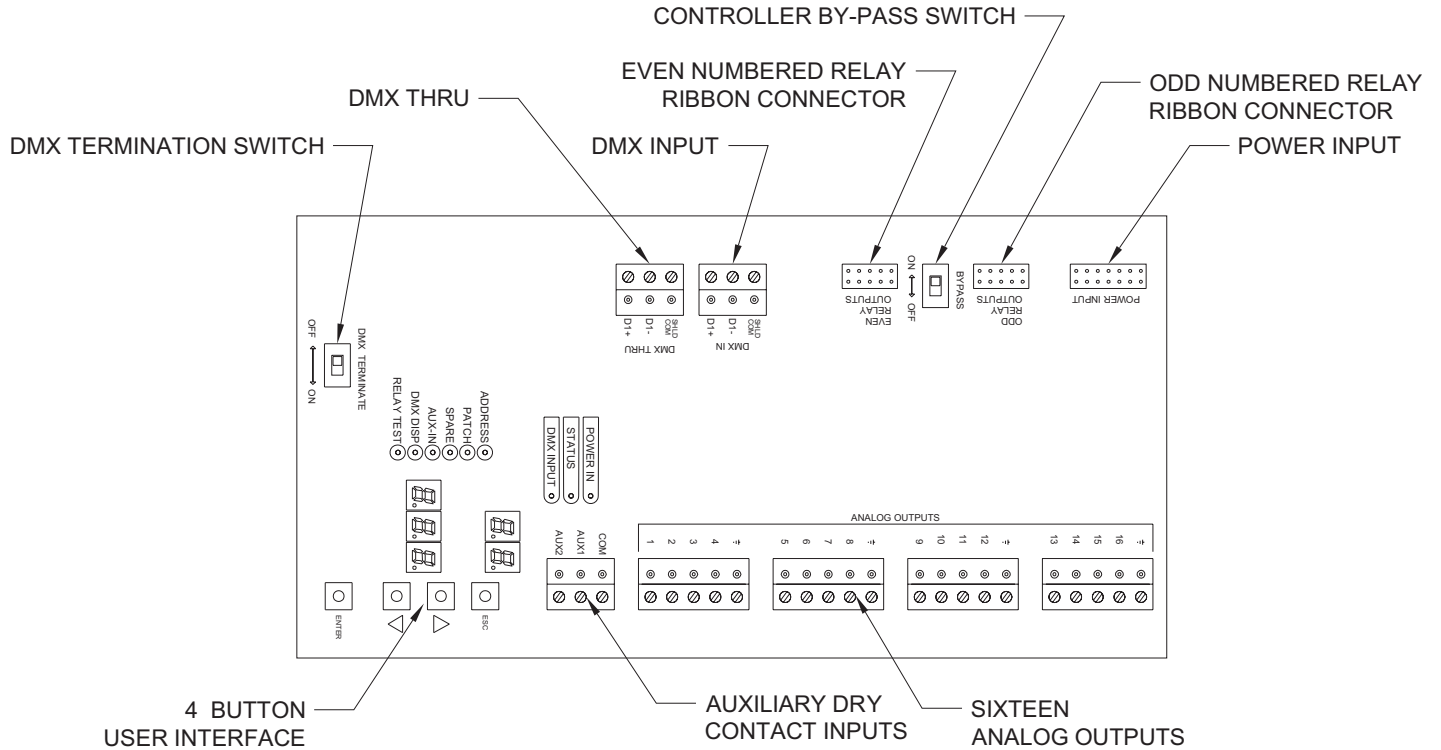
SPECIFICATIONS

- Normally Closed (NC) Single Pole Relay ratings:
 - 30A @ 277VAC Ballast
 - 20A @ 120VAC Tungsten
 - 20A @ 347VAC Ballast
 - SCCR 18kA @ 277VAC
 - Rated for 250,000 cycles
- 20V/277V transformer line voltage input
- Mixed voltages allowed in cabinet in accordance with NEC and local code requirements
- Analog Outputs rated for 100mA per channel, sinking control
- Analog Outputs rated for 10mA (ten mA) per channel, sourcing
- Weight: 27.0 lbs (12.25 kg)
- Dimensions: 12.0"W x 18.0"H x 6.0"D (305mm x 460mm x 150mm)
- ANSI E1.11 DMX512-A
- ANSI E1.20 Remote Device Management (RDM)
- ANSI E1.3 0-10v Analog Control
- ANSI C82.11 Fluorescent Ballast Control
- UL, UL924

DXT LPDD CONTROL PANEL



DXT LPDD CONTROLLER INTERFACE



PANEL INTERIOR



DMX512 PIN OUT

XLR PIN #	PURPOSE
1	Shield
2	Data - (complement)
3	Data + (true)
4	Data - (pair 2 complement)
5	Data + (pair 2 true)