

Bola sconces

oval opal glass LED sconces



CONSTRUCTION

- Wall canopy mounts to octagonal J-box and mudring (by others).
- Hand blown opal glass oval globes
- 18 AWG power cord supplied, standard.
- Default finish/power cord pairings are silver/gray, white/white, black/black.
- For RAL colors, power cord color must be specified.
- For differing fixture/canopy colors, please consult factory.
- Drivers installed in wall mount canopy. For remote driver installation, see p. 2.
- Drivers are universal voltage (120–277V).
- cUL listed for dry and damp locations only (pending).

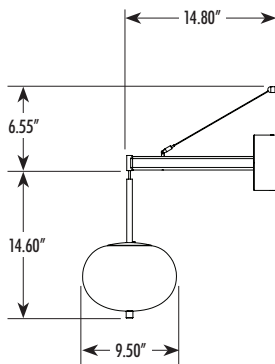
TYPE:	PROJECT:
ORDER NUMBER:	

MODEL#	HOUSING/ARM FINISH	LEDS	DIMMING	OPTIONS
AGW20S–Small AGW20M–Medium AGW20D–Double	S–Silver W–White K–Black CC–RAL Color*	W30 W35 W40 **CT–Color Tuning	D–Standard BDIM–W11 DA–DALI DMX DPH–Phase (120V only)	RR–Remote Driver EMR–Emergency Remote
Example:				
AGW20D	K	W40	D	

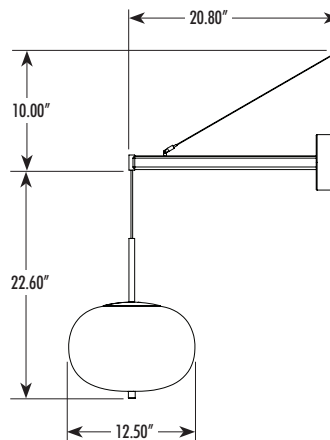
BDMXCON-W–white faceplate (enter quantity):	Specify canopy finish (silver, white, black):
BDMXCON-B–black faceplate (enter quantity):	Specify power cord color (gray, white, black):
EB–Earthquake Bracing Kit (enter quantity):	*Specify RAL color number:
XL–custom lumen reduction (specify lumens):	

**CT not available for AGW20D dual globe fixtures.

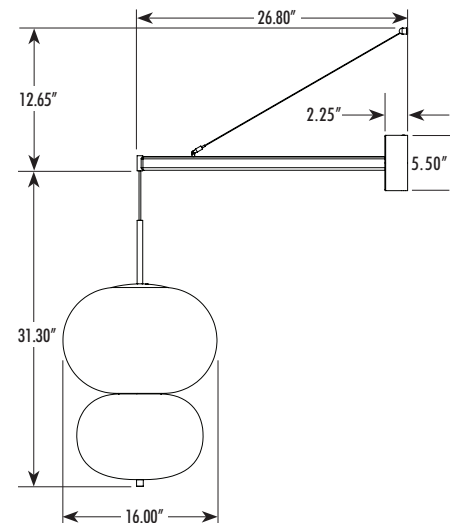
AGW20S–small single



AGW20M–medium single



AGW20D–dual large/medium



NOTE: Longer arm lengths are available. Please contact factory.

Bola sconces

oval opal glass LED sconces



WHITE LEDS

Nichia L757 boards. 50 R9, 90 CRI. Specify color: **W30**–3000°, **W35**–3500° or **W40**–4000° Kelvin.

CUSTOM LUMEN OUTPUT REDUCTION

Factory set custom reduced-lumen output driver configuration. Order **XL**. Specify lumens.

COLOR LEDS

CT uses Lumenetix-araya™ Entertainment LED module 1650-8000K white tunable range, 90+ CRI, with red, green, blue, amber, mint, and cyan chips. See <https://www.erp-power.com/our-products/tunable-color-lumenetix-araya/> for details. Includes dimming interface. Optional DMX controller also available (See below.)

DIMMING

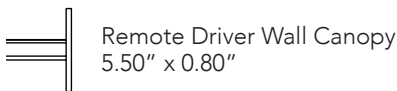
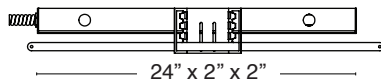
- **D**—standard supplied driver. 0–10V, programmable, 1% dimming, 120–277V, 50/60 Hz.
- **BDIM-W11**—Lutron EcoSystem LED14 Series, 1% dimming, fade-to-off.
- **DPH**—Triac and ELV 1% dimming at 120V 60 Hz only.
- **DA**—DALI 1% dimming, fade-to-off. 120–277V, 50/60 Hz.
- **DMX**—for both white and **RGBW/CT** LEDs, 0.1% dimming fade-to-off. 120/277V 50/60Hz.

WATTS / LUMENS

MODEL	WHITE LEDS		RGBW/CT LEDS	
	WATTS	DELIVERED LUMENS	WATTS	DELIVERED LUMENS
AGW20S	6	540	39	N/A
AGW20M	9	1,190	39	N/A
AGW20D	22	1,700	N/A	N/A

REMOTE DRIVERS

Wall canopy mounts to mud ring attached to J-box. Must be accessible after installation. Order **RR**.



NOTE: Aircraft cable suspension is not recommended for outdoor use, where fixture will be exposed to water, or subject to wind oscillation. Avoid use near HVAC vents and in environments with corrosive chemical vapors, such as swimming pools.

EMERGENCY REMOTE

Battery pack provides 10W for 90 minutes. Includes red light/test switch in handybox. Order **EMR**.

Max. Wiring Distance (at full load)

Wire Size (AWG)	Distance (ft.)
18	18
16	29
14	46
12	71
10	120

NOTE: Multiple drivers must be mounted no less than four inches apart side-by-side, and one inch apart end-to-end, to prevent overheating.

OPTIONAL DMX CONTROLLER

- Standalone, wall-mounted DMX controller for **RGBW/CT** LEDs that provides direct access to fixtures. Power supply included.
- Tune color hue with sensitive wheel. Saturation and brightness control. On/off switch.
- See <https://www.nicolaudie.com/en/stick-cw4.htm> for details.

Order separately, either **BDMXCON-W**—white faceplate or **BDMXCON-B**—black faceplate.