

OVERVIEW

Vignette™ is a system of modular button and slider wall station inserts that allow you to snapshot four universes of E1.31 sACN or one universe of DMX512. Design wall stations, from single-gang up to six-gang. With both Ethernet or RS485 architectures available, buttons can be Press-and-Hold-To-Record and Press to Play back; sliders can act as a grand master for the Vignette's output or proportionately control user-defined zones with minimum and maximum values for individual channels.

FEATURES

- Attractive decorator-style design in white or black, compatible with DXR or third-party faceplates
- Master/slave inserts available as single or double sliders, or as two or four buttons
- PoE variant works with the DXT Via PoE switches and DXT Ethernet/DMX Gateways
- RS485 variant requires din-rail mounted DXT Vignette Architectural Gateway that includes an Ethernet port for configuration and sACN send/receive as well as DMX In and DMX Out. Each Gateway can support up to 64 modules divided among four separate daisy-chain buses
- Group stations to mirror each other or work independently
- Works as snapshot record and playback out of the box. Advanced configuration using Pathscope™ on Mac OS or Windows PC
- Buttons have multiple functions including Snapshot replay Non-Dim zones, Record Enable and Take Control
- Sliders can act as Zone control or Grand Master

Warranty

Three-year limited warranty. Complete warranty terms located at: www.acuitybrands.com/CustomerResources/Terms_and_conditions.aspx

Note: Actual performance may differ as a result of end-user environment and application.

Specifications subject to change without notice.

To test out valid Vignette configurations, try using the Product Configurator: <http://productconfigurator.acuitybrandslighting.net/?OpenBehavior=NewWindow&requiresInternetExplorer=false#/productSelection>



Fresco™

*Vignette™
DMX Snapshot
and Playback*



ORDERING INFORMATION

Example (pictured): NSBVN 4NG 1BT4 2SL2 3SL2 4SL1 POE WH

Series	Number of Gangs	Module A	Module B	Module C
NSBVN Stand Alone Slider/Button stations	1NG Single-gang faceplate	1SL1 One Slider Master Insert	2SL1 One Slider Insert	3SL1 One Slider Insert
	2NG Double-gang faceplate	1SL2 Two Slider Master Insert	2SL2 Two Slider Insert	3SL2 Two Slider Insert
	3NG Three-gang faceplate	1BT2 Two Button Master Insert	2BT2 Two Button Insert	3BT2 Two Button Insert
	4NG Four-gang faceplate	1BT4 Four Button Master Insert	2BT4 Four Button Insert	3BT4 Four Button Insert
	5NG Five-gang faceplate			
	6NG Six-gang faceplate			

Module D	Module E	Module F	Control Interface Type	Color
4SL1 One Slider Insert	5SL1 One Slider Insert	6SL1 One Slider Insert	POE Power over Ethernet Network	BK Black
4SL2 Two Slider Insert	5SL2 Two Slider Insert	6SL2 Two Slider Insert	NSB485 NSB RS485 Network	WH White
4BT2 Two Button Insert	5BT2 Two Button Insert	6BT2 Two Button Insert		
4BT4 Four Button Insert	5BT4 Four Button Insert	6BT4 Four Button Insert		

ORDERING (continued)

NSBVNM				Example: NSBVNM SL2 POE BK			
Series		Module		Control Interface Type		Color	
NSBVNM	Stand Alone Slider/Button stations	SL1	One Slider Master Insert	POE	Power over Ethernet Network	BK	Black
		SL2	Two Slider Master Insert	NSB485	NSB RS485 Network	WH	White
		BT2	Two Button Master Insert				
		BT4	Four Button Master Insert				

NSBI				Example: NSBI SL2 BK			
Series		Module		Color			
NSBI	Slider/Button stations to control Fresco Show	SL1	One Slider Insert	BK	Black		
		SL2	Two Slider Insert	WH	White		
		BT2	Two Button Insert				
		BT4	Four Button Insert				

DXR				Example: DXR FP2 BK			
Series		Module		Color			
DXR		FP1	Single-gang faceplate	BK	Black		
		FP2	Double-gang faceplate	WH	White		
		FP3	Three-gang faceplate				
		FP4	Four-gang faceplate				
		FP5	Five-gang faceplate				
		FP6	Six-gang faceplate				

For Fresco DXT modules and assemblies spec sheet please click on the following link:

http://www.acuitybrands.com/products/detail/257121/Fresco/Fresco-DXT/Assemblies-for-High-Performance-DMX-Networks/-/media/products/Fresco/257121/document/DXT-Assemblies_pdf.pdf

SPECIFICATIONS

- PoE: Class 2 (PoE or 24V DC RS485 over Cat5 or 3 Pair cable)
- 7.5 watts maximum power consumption per station
- Operating Conditions: 32°F-105°F (0°C to 40°C); 10-90% relative humidity, non-condensing

Cabling:

- POE: Standard Cat5/5e/6 Ethernet, 100m max.
- RS485: Cat5/5e/6 Cable, 150m max. or retrofit onto existing 3 Pair Belden 9773 or equivalent, 300m max.

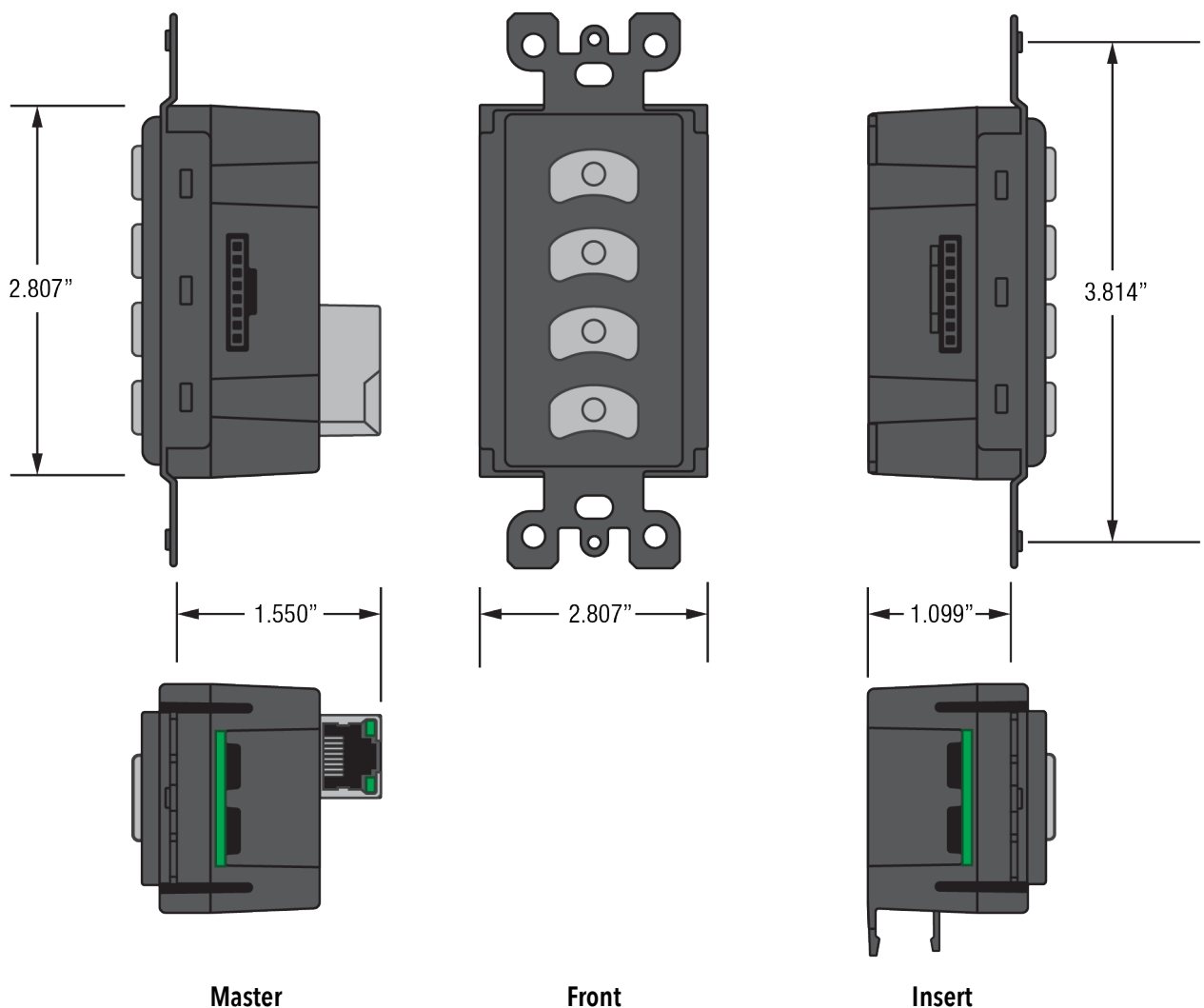
STANDARDS COMPLIANCE

- ANSI E1.11 DMX512-A
- ANSI E1.31 streaming ACN
- IEEE 802.3af Power-over-Ethernet
- RoHS 2002/95/EC

WEIGHTS AND DIMENSIONS

- 0.5 lbs (0.225 kg) [per insert]
- 1.75"W x 1.6"D x 4"H (45mm x 40mm x 102mm) [Master]

DIMENSIONS



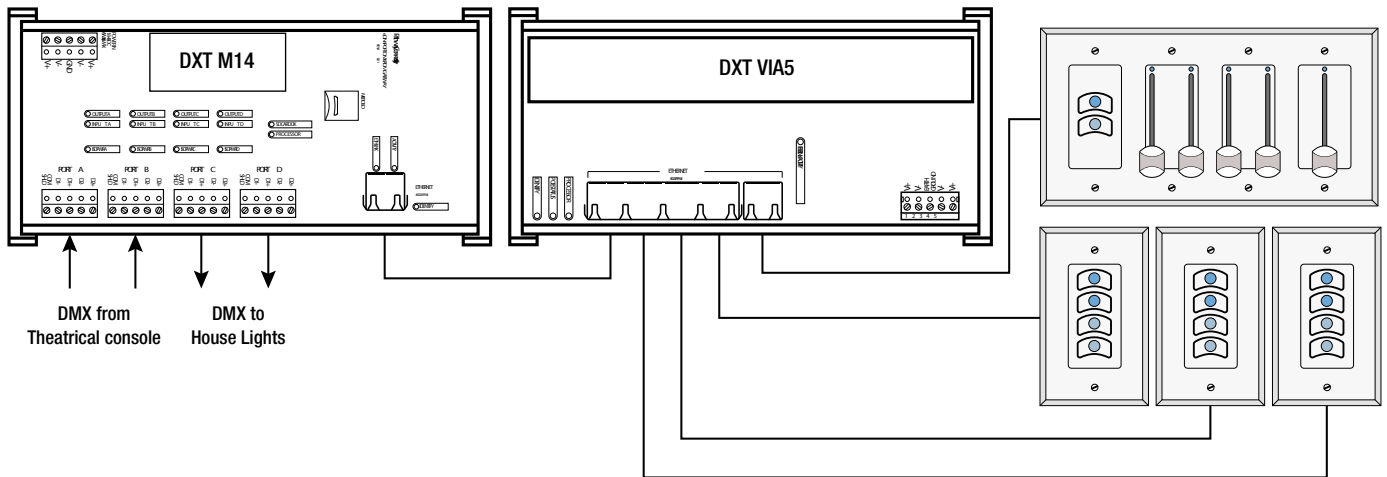
REAR VIEW OF ASSEMBLY



PoE variant shown. Each station must have Cat5 homerun to Ethernet PoE switch.

RS485 variant uses two six-pin headers (compression fit and IDC connectors) to allow multi-drop data buses. RS485 stations must be connected to a DXT NSB Architectural Gateway

PoE APPLICATION RISER



RS485 APPLICATION RISER

