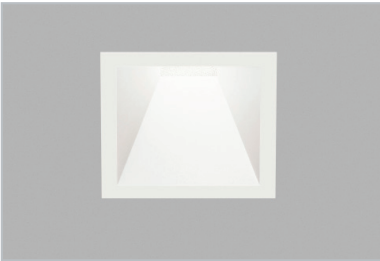


# BeveLED Mini® Incline Infinite Color+ - B3SG-FC1 3" Square Downlight for Sloped Ceilings



Field Convertible from Trimless or Millwork to Trimmed

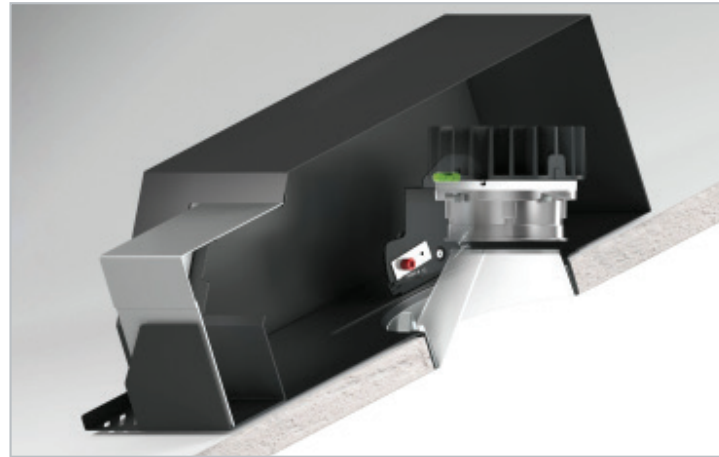
Trimmed - B3SGF



Trimless - B3SGL



Millwork - B3SGM



[usailighting.com/slopedceiling-infinitecolor](http://usailighting.com/slopedceiling-infinitecolor)

**Introducing Beautiful, Precise Recessed Lighting for Sloped Ceiling Installations Up to 45 Degrees. Now available in full color plus white light flexibility**

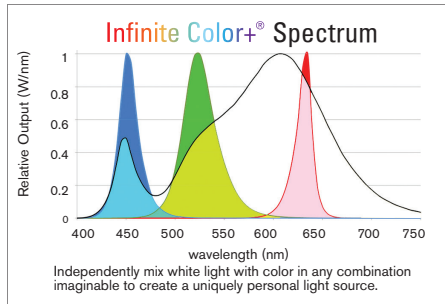
**FEATURES**

- Solutions for angles from 15° (3/12 pitch) to 45° (12/12 pitch)
- Perfect round and square roomside appearance
- Installations are always aligned with integral leveler
- Works with sheetrock, stone, plaster, and millwork ceilings
- Easily change from trimless or millwork to trimmed in the field

**DOWNLIGHT PERFORMANCE DATA**

DELIVERED* PERFORMANCE:	Infinite Color +	
	White Light Channel Only	Multi Channel Output
Wattage	16W	18W
Source Lumens:	1000	1200
Lumens Per Watt:	51	45
Delivered Lumens:	775	875

\*Based on 40° optic. Performance varies for each specific beamspread and color point; see ies files for exact values at [usailighting.com](http://usailighting.com)



sixteen5hundred	Project 21-12877-3 Date 6/25/2021 RGB/W   Saturated Color	Catalog Number B3RGF 30 18FC1 60 SF WH WH NC1 UNV D23X2 RJ	Type
	Submitted By 16500, INC	Notes	

HOW TO SPECIFY

# BeveLED Mini® Incline Infinite Color+ - B3SG-FC1

## 3" Square Downlight for Sloped Ceilings with Integral Dimming Driver Lighting

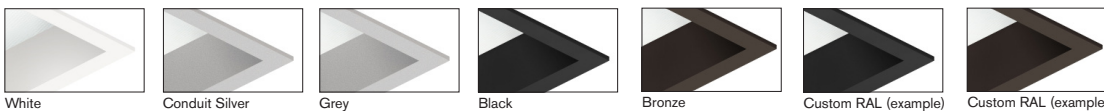


Specify fixture part number. (All boxes must be filled in to correctly order)

B3SG		18FC1		SF				UNV			
BeveLED Trim Style	Ceiling Slope	Wattage Options	Beam Options	Lens Options	Bevel Trim Finish Options	*Flange/Millwork Collar Finish	Housing Options	Voltage Options <i>Select one</i>	Dimming Driver Options	Cablings Options <i>Select one</i>	Accessories (Optional)*
<b>F</b> Trimmed with Flange <b>L</b> Trimless Spackle-in <b>M</b> Millwork Knife-edge	<b>30</b> Angled trim accommodates ceiling slopes from 15° (3/12 pitch) to 30° (7/12 pitch) maximum  <b>45</b> Angled trim accommodates ceiling slopes from 30° (7/12 pitch) to 45° (12/12 pitch) maximum	<b>18FC1</b> 18W LED	<b>40</b> 40° beam  <b>60</b> 60° beam	<b>SF</b> Solite Frosted	<b>WH</b> White  <b>SC</b> Conduit Silver  <b>GR</b> Grey  <b>BL</b> Black  <b>BZ</b> Bronze  <b>PR</b> Primer Finish  <b>RAL</b> Custom Color Specify RAL#	<b>WH</b> White  <b>SC</b> Conduit Silver  <b>GR</b> Grey  <b>BL</b> Black  <b>BZ</b> Bronze  <b>PR</b> Primer Finish  <b>RAL</b> Custom Color Specify RAL#	<b>NC1</b> New Construction  <b>NCCP</b> Chicago Plenum	<b>UNV</b> 120V-277V	<b>D23X1</b> EldoLED DMX 0.1% dimming, manual addressing using RDM protocol, 8 bit  <b>D23X2</b> EldoLED DMX 0.1% dimming, manual addressing using RDM protocol, 16 bit	<b>RJ</b> RJ45 Jacks  <b>WR</b> Manual Wire Splice Connection	<b>EM</b> Emergency Battery  <b>EMW</b> Emergency Battery Wet Location  * EM battery available with NC1 housing only and requires access for service.

\* Leave blank for trimless

TRIM FINISH OPTIONS



Custom colors and primer finish also available

**HOW TO SPECIFY**

# BeveLED Mini® Incline Infinite Color+ - B3SG-FC1

## 3" Square Downlight for Sloped Ceilings with Remote Dimming Driver

1. Specify fixture part number. (All boxes must be filled in to correctly order)

B3SG		18FC1		SF				RM	
BeveLED Trim Style	Ceiling Slope	Wattage Options	Beam Options	Lens Options	Bevel Trim Finish Options	*Flange/Millwork Collar Finish	Housing Options	Remote Dimming Driver	Accessories (Optional)
<b>F</b> Trimmed with Flange  <b>L</b> Trimless Spackle-in  <b>M</b> Millwork Knife-edge	<b>30</b> Angled trim accommodates ceiling slopes from 15° (3/12 pitch) to 30° (7/12 pitch) maximum  <b>45</b> Angled trim accommodates ceiling slopes from 30° (7/12 pitch) to 45° (12/12 pitch) maximum	<b>18FC1</b> 18W LED	<b>40</b> 40° beam  <b>60</b> 60° beam	<b>SF</b> Solite Frosted	<b>WH</b> White  <b>SC</b> Conduit Silver  <b>GR</b> Grey  <b>BL</b> Black  <b>BZ</b> Bronze  <b>PR</b> Primer Finish  <b>RAL</b> Custom Color Specify RAL#	<b>WH</b> White  <b>SC</b> Conduit Silver  <b>GR</b> Grey  <b>BL</b> Black  <b>BZ</b> Bronze  <b>PR</b> Primer Finish  <b>RAL</b> Custom Color Specify RAL#	<b>NC1</b> New Construction  <b>NCCP</b> Chicago Plenum  <b>NCIC</b> New Construction Insulation Contact Rated	<b>RM</b> Remote Dimming Driver, specify remote power supply in table below	<b>CB27</b> 27" C-Channel Bars  <b>CB52</b> 52" C-Channel Bars
						* Leave blank for trimless			

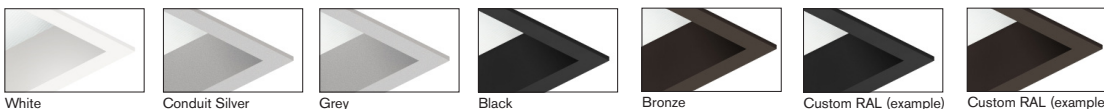
USAI  
 Power  
 Supply  
 Must Be  
 Specified

2. Specify Remote Power Supply ←

RPB-01	18FC1	UNV		
Remote Power Supply	Fixture Wattage	Voltage	Remote Dimming Driver Type*	Cabling Option <i>Select one</i>
<b>RPB-01</b> BeveLED Mini Infinite Color+ Remote Power Supply	<b>18FC1</b> 18W LED	<b>UNV</b> 120V - 277V	<b>D23X1</b> EldoLED DMX 0.1% dimming, manual addressing using RDM protocol, 8 bit  <b>D23X2</b> EldoLED DMX 0.1% dimming, manual addressing using RDM protocol, 16 bit  *Requires remote enclosure by others, minimum size 9"L x 4"W x 2"H	<b>RJ</b> RJ45 Jacks  <b>WR</b> Manual Wire Splice Connection

NOTE:  
 Remote Power Supplies Require Enclosures by Others.  
 See Page 7 for Details.

**TRIM FINISH OPTIONS**



Custom colors and primer finish also available

# BeveLED Mini® Incline Infinite Color+ - B3SG-FC1

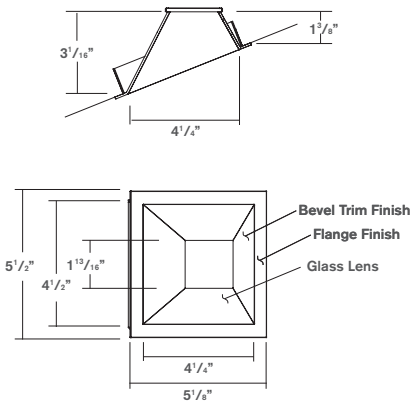
## 3" Square Downlight for Sloped Ceilings



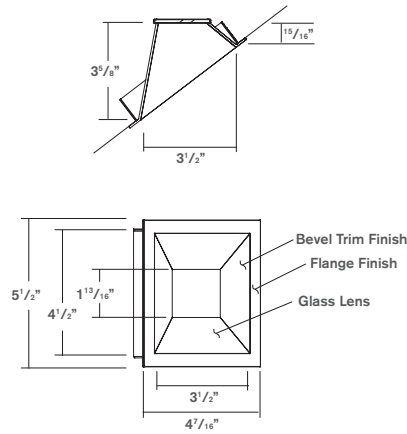
### Trimmed - B3SGF

#### TRIM DETAILS

For 15° (3/12) - 30° (7/12) Slope Ceilings



For 30° (7/12) - 45° (12/12) Slope Ceilings

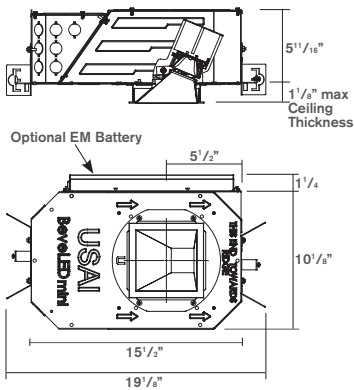


#### HOUSING OPTIONS

For 15° (3/12) - 30° (7/12) Slope Ceilings

- New Construction - NC1
- Chicago Plenum - NCCP
- Insulation Contact - NCIC (remote driver only)

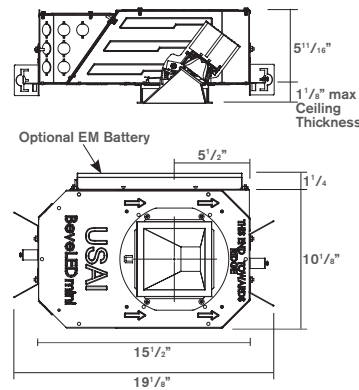
Optional EM battery for NC1 housing shown in drawing below



For 30° (7/12) - 45° (12/12) Slope Ceilings

- New Construction - NC1
- Chicago Plenum - NCCP
- Insulation Contact - NCIC (remote driver only)

Optional EM battery for NC1 housing shown in drawing below



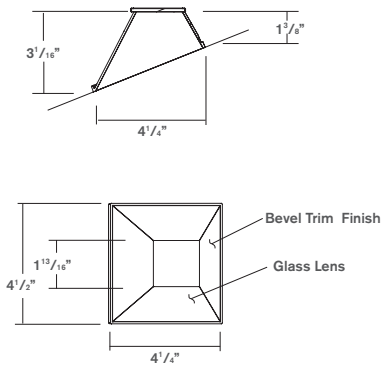
# BeveLED Mini® Incline Infinite Color+ - B3SG-FC1 3" Square Downlight for Sloped Ceilings



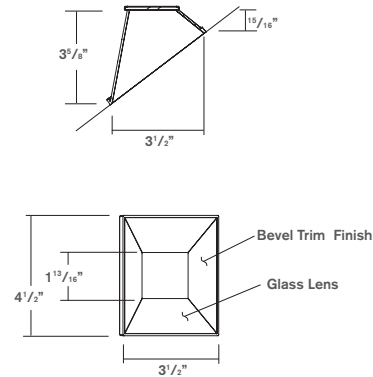
## Trimless - B3SGL

### TRIM DETAILS

For 15° (3/12) - 30° (7/12) Slope Ceilings



For 30° (7/12) - 45° (12/12) Slope Ceilings

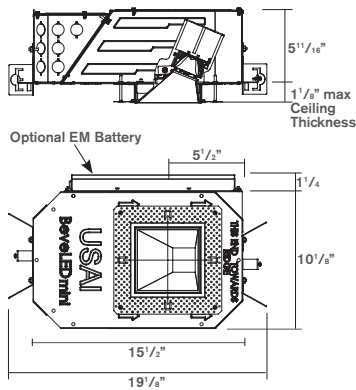


### HOUSING OPTIONS

For 15° (3/12) - 30° (7/12) Slope Ceilings

- New Construction - NC1
- Chicago Plenum - NCCP
- Insulation Contact - NCIC (*remote driver only*)

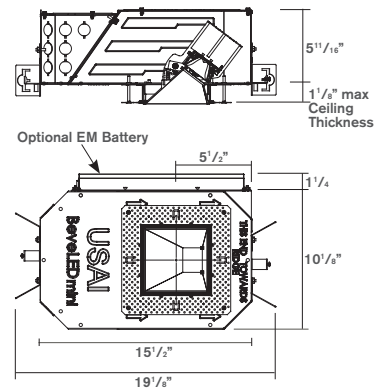
Optional EM battery for NC1 housing shown in drawing below



For 30° (7/12) - 45° (12/12) Slope Ceilings

- New Construction - NC1
- Chicago Plenum - NCCP
- Insulation Contact - NCIC (*remote driver only*)

Optional EM battery for NC1 housing shown in drawing below



# BeveLED Mini® Incline Infinite Color+ - B3SG-FC1

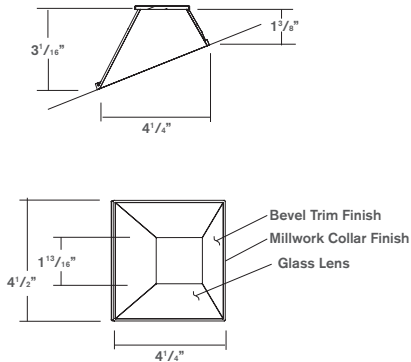
## 3" Square Downlight for Sloped Ceilings



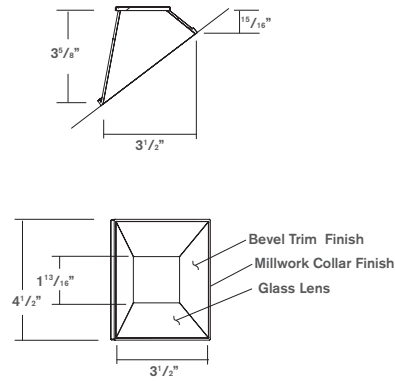
### Millwork - B3SGM

#### TRIM DETAILS

For 15° (3/12) - 30° (7/12) Slope Ceilings



For 30° (7/12) - 45° (12/12) Slope Ceilings

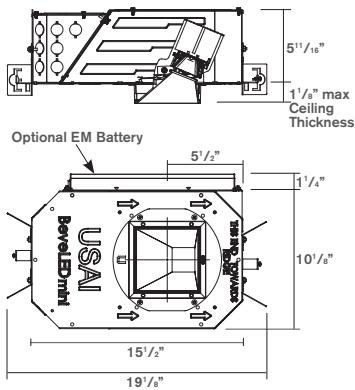


#### HOUSING OPTIONS

For 15° (3/12) - 30° (7/12) Slope Ceilings

- New Construction - NC1
- Chicago Plenum - NCCP
- Insulation Contact - NCIC (*remote driver only*)

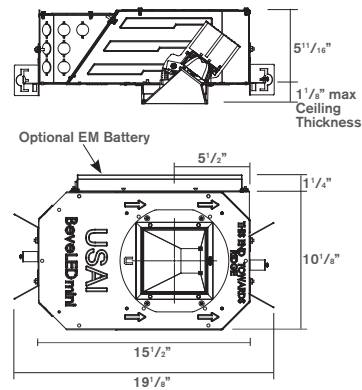
Optional EM battery for NC1 housing shown in drawing below



For 30° (7/12) - 45° (12/12) Slope Ceilings

- New Construction - NC1
- Chicago Plenum - NCCP
- Insulation Contact - NCIC (*remote driver only*)

Optional EM battery for NC1 housing shown in drawing below



sixteen5hundred	Project 21-12877-3 Date 6/25/2021	Catalog Number	Type
	Submitted By 16500, INC	B3RGF 30 18FC1 60 SF WH WH NC1 UNV D23X2 RJ	
	RGB/W   Saturated Color	Notes	

# BeveLED Mini® Incline Infinite Color+ - B3SG-FC1

## 3" Square Downlight for Sloped Ceilings



### BEVELED MINI INCLINE INFINITE COLOR+ SPECIFICATIONS

#### FIELD REPLACEABLE LED LIGHT ENGINE

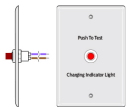
is serviceable through the aperture with a Philips screwdriver. All USAI Lighting light engines feature industry-leading color consistency.

#### FIELD REPLACEABLE INTEGRAL DRIVER

Solid state electronic constant current DMX512 driver with a high power factor provided standard. Works with universal voltages 120V-277V. All integral dimming drivers are located within the fixture housing and are serviceable from below the ceiling through the aperture. Driver complies with IEEE C62.41 surge protection. Specify D23X1 for 8-bit communication controls; specify D23X2 for 16-bit communication controls. All driver options require remote device management (RDM) communication protocol for addressing.

#### INTEGRAL EMERGENCY BATTERY

An integral IOTA emergency battery is available as an option with the NC1 housing only and provides backup power for 90 minutes. NC1 EM fixtures are provided with an integral emergency battery that requires above ceiling access for service, and a remote test switch, which comes with a 24" lead length for location of the test switch. Remote EM test switch is dry/damp only; select EMW emergency option for a wet location-rated EM test switch. In emergency mode Infinite Color+ uses the white channel only at ~25% power. Fixtures that have no USAI EM option may be connected to an inverter (by others) for emergency lighting.



**Remote Emergency Test Switch included**

#### REMOTE LOCATION DRIVER

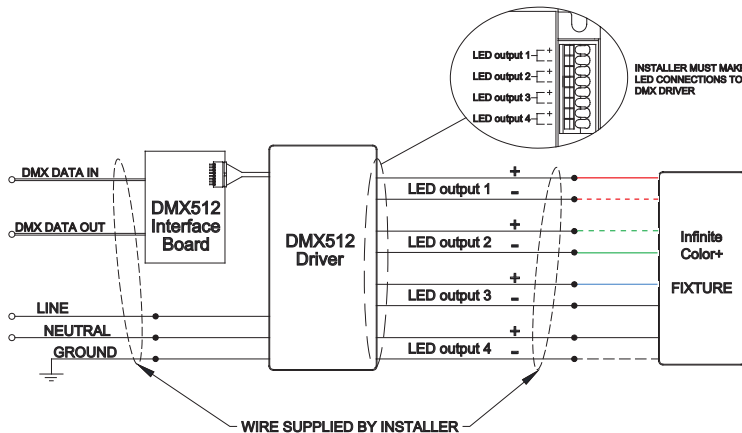
BeveLED Mini Infinite Color+ is supplied with quick connects for use with remotely located driver. Driver is provided separately for remote location on site, enclosure to be provided by others. Remote dimming driver power supply option must be clearly specified in the "RP" table. Remote power supplies require enclosures by others that meet local codes and must be located in an accessible service panel within 100ft of the light fixture; see remote driver table below for coordination of enclosure sizes and wire gauges required. All dimming drivers comply with IEEE C62.41 surge protection.

Remote Power Supply Requirements and Wiring Diagrams Note: Must be wired in homeruns per wiring diagram "A" below.

#### 1 Fixture Maximum Per Power Supply.

Remote Power Supply	Dimming Option	Wire Gauge Required*	Minimum Enclosure Size Required (by others)
RPB-01-18FC1	UNV-D23X1 EldoLED, 8 bit, DMX, 0.1%	18/16	9" W x 4" L x 2" H
	UNV-D23X2 EldoLED, 16 bit DMX, 0.1%		

\* Wire gauge 18/16 = Maximum distance from light fixture to remote power supply is 100' using 16 gauge wire, 50' using 18 gauge wire.



# BeveLED Mini® Incline Infinite Color+ - B3SG-FC1

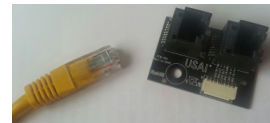
## 3" Square Downlight for Sloped Ceilings



### BEVELED MINI INCLINE INFINITE COLOR+ SPECIFICATIONS

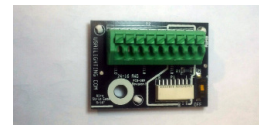
**CABLING:** Data cables must be run in series between fixtures. Choose your preferred method of connection when specifying. To avoid signal transmission problems, the DMX link terminator dip switch should be used in the last fixture in a series on a given DMX bus. NOTE: Data communication cables and AC power lines must not be run in the same conduit.

• **RJ Cabling Option:** If the RJ cabling option is specified, the remote power supply is provided with a DMX interface board that has RJ45 jacks for data connection with CAT5 cable terminated with RJ45 connectors. A link termination dip switch is provided at the connector board; no separate link termination device is required.



• **WR Cabling Option:** If the WR cabling option is specified, the remote power supply is provided with a DMX interface board with terminal blocks for wires to be manually spliced for data connection. A link termination dip switch is provided at the connector board; no separate link termination device is required. The data cable used must meet the following requirements:

- type: shielded, 2-conductor twisted pair
- maximum capacitance between conductors: 30 pF/ft
- maximum capacitance between conductor and shield: 55 pF/ft
- maximum resistance: 0.02 ohms/ft
- normal impedance: 100-140 ohms
- conductive core: 24 AWG is recommended



If 3-wire data cables are preferred, we suggest a Belden 9841 or equivalent cable which meets the specifications for EIA RS-485 applications. Do not use standard microphone cables: they cannot transmit DMX512 data reliably over long distances.

### ADJUSTMENT

Sloped ceiling housings are fitted with an integral bubble leveling device to ensure perfectly level installations and optical alignment. Optical assembly can be tilted and locked in position for ceiling slopes from 3/12 pitch to 12/12 pitch, which are visually indicated on tilt mechanism. Butterfly brackets are imprinted with ceiling thickness indexing allow installers to easily preset housing prior to installation: choose from ceiling thicknesses of 1/2", 5/8", 3/4", 7/8", 1", or 1-1/8".

### HOUSING

All BeveLED Mini fixtures are field-flexible which allows for field changes from trimless or millwork to trimmed with a simple components change with parts from USAI. Housings are fabricated of 20 ga. steel construction with thru wire J-box, 4 in 4 out at min. 90°C, #12 AWG thru branch circuit wiring.

### MOUNTING

B3RGF overlap flange fixtures are designed for use in sheetrock, acoustical ceiling tile, and many other ceiling materials. B3RGL trimless fixtures are provided with a spackle collar and are designed for use in sheetrock/mud-in ceiling applications. B3RGM millwork fixtures are provided with a millwork collar and are designed for use in wood/millwork and stone construction applications. Butterfly brackets and adjustable channel bars extendible from 16" to 24" centers with integral nails are provided for attachment to building structure.

### FIXTURE WEIGHT

NC1, NCCP and NCIC housings weigh 11 lbs. NC1 housing with EM weighs 14 lbs.

### WARRANTY

Based on IESNA LM80-2008, BeveLED has a 50,000 hour rated life at 70% lumen maintenance (L70). USAI Lighting Warranty covers replacement parts for 5 years from date of shipment. Ambient temperatures at fixture location should not exceed 40°C during normal operation.

### CEILING CUT OUT

- B3SGF Trimmed Overlap Flange: 5-1/16" X 5-1/16"
- B3SGL Trimless Spackle Frame: 5-1/16" X 5-1/16"
- B3SGM Millwork Knife Edge: 4-15/16" 4-15/16"

### LISTINGS

Dry/Damp/Wet location. Remote EM test switch is dry/damp only. Select EMW option for wet location remote test switch. UL2043 rated for use in air handling plenums. NRTL/CSA-US tested to UL standards. IBEW union made.



### NOTES

- Not for use in corrosive environment
- Use of pressure washer voids warranty

### PHOTOMETRICS

Consult factory or website for IES files. Tested in accordance with IESNA LM79.



sixteen5hundred	Project 21-12877-3 Date 6/25/2021 RGB/W   Saturated Color	Catalog Number B3RGF 30 18FC1 60 SF WH WH NC1 UNV D23X2 RJ	Type
	Submitted By 16500, INC	Notes	



# DIMMING DRIVER COMPATIBILITY SELECTION GUIDE

## D3 / DIML3

### DIMMING DRIVER WIRING SCHEMES:

#### NOTES:

Wiring diagrams are examples of typical installations intended to illustrate the number of wires that must be run to fixture. These diagrams are not intended to specify all equipment necessary for a given dimming circuit. Refer to specific dimmer manufacturer's documentation for details.

#### IMPORTANT SAFETY INSTRUCTIONS

##### - SAVE THESE INSTRUCTIONS

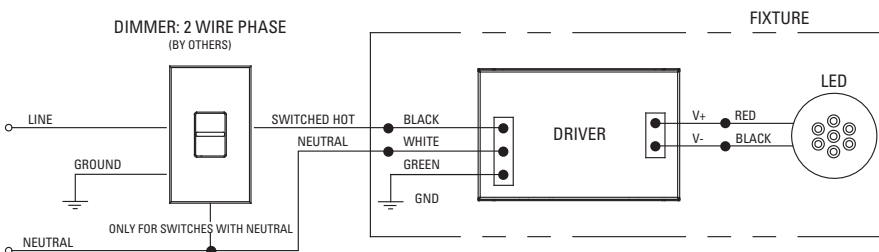
1. Keep these instructions in a safe place for future reference.
2. Only qualified electricians in accordance to local codes should install these fixtures.
3. De-energize the electrical circuit at the circuit breaker prior to installation process or servicing.
4. Make sure all connections are in accordance with the National Electrical Code and any local regulations.
5. Cap any wires not used separately (not together).

### D3 / DIML3 LED: Lutron Hi-Lume A-Series 2 Wire Fwd Phase (with neutral) / LED Dimming Driver Wiring (Dims down to 1%) 120V

D3 / DIML3 Dimmer Compatibility Chart					
Manufacturer	Product	Part Number	Dimmed Light Output Range	Qty Fixtures Per Dimmer*	
				Fixture Wattage	
120V Only					
				39W and Less	40W - 80W
ETC	Sensor+ Cabinet	ELV10	100% - 1%	1 - 26	1 - 13
ETC	Unison DRd Cabinet	ELV10	100% - 1%	1 - 26	1 - 13
Lutron	Maestro Wireless® 600W dimmer	MRF2-6ND-120-	100% - 1%	1 - 8	1 - 4
Lutron	Maestro Wireless® 1000W dimmer	MRF2-10ND-120-	100% - 1%	1 - 13	1 - 6
Lutron	HomeWorks® QS adaptive dimmer	HQRD-6NA-	100% - 1%	1 - 8	1 - 4
Lutron	HomeWorks® QS 600W dimmer	HQRD-6ND-	100% - 1%	1 - 8	1 - 4
Lutron	HomeWorks® QS 1000 W dimmer	HQRD-10ND-	100% - 1%	1 - 13	1 - 6
Lutron	Caseta Wireless® Pro 1000W dimmer	PD-10NXD-	100% - 1%	1 - 13	1 - 6
Lutron	Stanza® dimmer	SZ-6ND-	100% - 1%	1 - 8	1 - 4
Lutron	RadioRA® 2 adaptive dimmer	RRD-6NA-	100% - 1%	1 - 8	1 - 4
Lutron	RadioRA® 2 1000 W dimmer	RRD-10ND-	100% - 1%	1 - 6	1 - 3
Lutron	myRoom DIN power module	MQSE-4A1-D	100% - 1%	1 - 6	1 - 3
Lutron	HomeWorks® QS wallbox power module	HQRJ-WPM-6D-120-	100% - 1%	1 - 26	1 - 13
Lutron	HomeWorks® DIN power module	LQSE-4A1-D	100% - 1%	1 - 6	1 - 3
Lutron	HomeWorks® wallbox power module	HWI-WPM-6D-120	100% - 1%	1 - 26	1 - 13
Lutron	GRAFIK Eye® QS control unit	QSGR-, QSGRJ-	100% - 1%	1 - 26	1 - 13
Lutron	GRAFIK Eye® 3000 control unit	GRX-3100-, GRX-3500-	100% - 1%	1 - 26	1 - 13
Lutron	RPM-4U module	HW-RPM-4U-120, LP-RPM-4U-120	100% - 1%	1 - 26	1 - 13
Lutron	RPM-4A module	HW-RPM-4A-120, LP-RPM-4A-120	100% - 1%	1 - 26	1 - 13
Lutron	GP dimming panels	Various	100% - 1%	1 - 26	1 - 13
Lutron	Ariadni CL 250W dimmer	AYCL-253P-	100%-1%	1 - 8	1 - 4
Lutron	Diva CL 250W dimmer	DVCL-253P-, DVSCCL-253P-	100%-1%	1 - 8	1 - 4
Lutron	Grafik T CL or RFCL dimmer	GT-250M-, GTJ-250M-	100%-1%	1 - 8	1 - 4
Lutron	Nova T CL 250W dimmer	NTCL-250-	100%-1%	1 - 10	1 - 5

\* NOTE: Refer to dimmer manufacturer's documentation for installation instructions and circuit details.

### D3 / DIML3 2 WIRE PHASE DIMMING



sixteen5hundred	Project 21-12877-3 Date 6/25/2021 RGB/W   Saturated Color	Catalog Number B3RGF 30 18FC1 60 SF WH WH NC1 UNV D23X2 RJ	Type
	Submitted By 16500, INC	Notes	



## DIMMING DRIVER COMPATIBILITY SELECTION GUIDE D4A / DIML4A and D4P / DIML4P

### DIMMING DRIVER WIRING SCHEMES:

#### NOTES:

Wiring diagrams are examples of typical installations intended to illustrate the number of wires that must be run to fixture. These diagrams are not intended to specify all equipment necessary for a given dimming circuit. Refer to specific dimmer manufacturer's documentation for details.

#### IMPORTANT SAFETY INSTRUCTIONS

##### - SAVE THESE INSTRUCTIONS

1. Keep these instructions in a safe place for future reference.
2. Only qualified electricians in accordance with local codes should install these fixtures.
3. De-energize the electrical circuit at the circuit breaker prior to installation process or servicing.
4. Make sure all connections are in accordance with the National Electrical Code and any local regulations.
5. Cap any wires not used separately (not together).

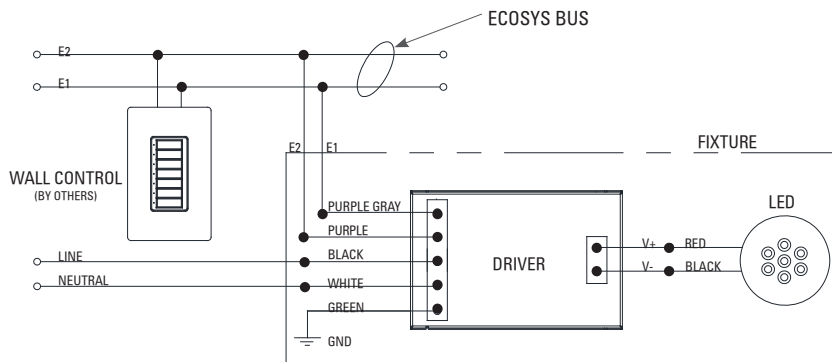
#### **D4A / DIML4A LED: Lutron Hi-Lume Premier EcoSystem LED Driver (Dims down to 0.1%)**

#### **D4P / DIML4P LED: Lutron Hi-Lume Premier EcoSystem LED Driver (Dims down to 1%)**

D4A / D4P EcoSystem Controls Dimmer Compatibility Chart			
Manufacturer	Product	Part Number	Maximum Quantity Light Fixtures Per Control
<b>120V / 277V</b>			
Lutron	PowPak dimming module	RMJ-ECO32-DV-B	32
		FCJ/FCJS-ECO	3
<b>120V ONLY</b>			
Lutron	Energi Savr Node	QSN-1ECO-S	64
		QSN-2ECO-S	128
	GRAFIK Eye QS/ Homeworks QS control unit	QSGRJ- E, QSGR- E	64
		Quantum Hub	QP2- .2C
		QP2- .4C	256
		QP2- .6C	384
		QP2- .8C	512
	HomeWorks QS / myRoom Plus power module	LQSE-2ECO-D	128

\* NOTE: Number of fixtures may be higher if wattage is less than maximum values shown. Refer to dimmer manufacturer's documentation for installation instructions and circuit details.

### D4A / DIML4A and D4P / DIML4P EcoSystem CONTROLS





# DIMMING DRIVER COMPATIBILITY SELECTION GUIDE

## D4H /DIML4H

### DIMMING DRIVER WIRING SCHEMES:

**NOTES:**

Wiring diagrams are examples of typical installations intended to illustrate the number of wires that must be run to fixture. These diagrams are not intended to specify all equipment necessary for a given dimming circuit. Refer to specific dimmer manufacturer's documentation for details.

**IMPORTANT SAFETY INSTRUCTIONS**

**- SAVE THESE INSTRUCTIONS**

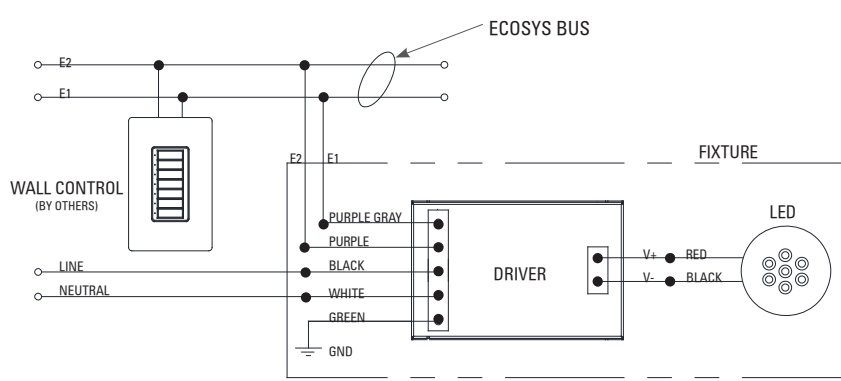
1. Keep these instructions in a safe place for future reference.
2. Only qualified electricians in accordance to local codes should install these fixtures.
3. De-energize the electrical circuit at the circuit breaker prior to installation process or servicing.
4. Make sure all connections are in accordance with the National Electrical Code and any local regulations.
5. Cap any wires not used separately (not together).

**D4H / DIML4H LED: Lutron H Series EcoSystem LED Driver with Fade to Black (dims down to 1%)**

D4H / DIML4H EcoSystem Dimmer Compatibility Chart					
Manufacturer	Product	Part Number	Dimmed Light Output Range	Qty Fixtures Per Control*	
				Fixture Wattage	
<b>120V / 277V</b>					
Lutron	PowPak dimming module	RMJ-ECO32-DV-B	100%-1%	1-32	1-16
Lutron	Energi Savr Node	QSN-1ECO-S, QSN-2ECO-S	100%-1%	1-64	1-32
Lutron	GRAFIK Eye QS (120V ONLY)	QSGRJ- E, QSGR- E	100%-1%	1-64	1-32
Lutron	Quantum	Various	100%-1%	1-64	1-32

\* NOTE: Number of fixtures may be higher if wattage is less than maximum values shown. Refer to dimmer manufacturer's documentation for installation instructions and circuit details.

**D4H / DIML 4H EcoSystem CONTROLS**





## DIMMING DRIVER COMPATIBILITY SELECTION GUIDE

### D6A / DIML6A and D6E / DIML6E D6B / DIML6B and D6F / DIML6F

#### IMPORTANT SAFETY INSTRUCTIONS - SAVE THESE INSTRUCTIONS

1. Keep these instructions in a safe place for future reference.
2. Only qualified electricians in accordance to local codes should install these fixtures.
3. De-energize the electrical circuit at the circuit breaker prior to installation process or servicing.
4. Make sure all connections are in accordance with the National Electrical Code and any local regulations.
5. Cap any wires not used separately (not together).

#### D6A / DIML6A and D6E / DIML6E Dimming Compatibility Table

D6A / DIML6A and D6E / DIML6E are linearly programmed dimming drivers for use with the dimming controls listed in the table below.  
 D6A / DIML6A = EldoLED SOLOdrive 0-10V control dims from 100% to 0.1%  
 D6E / DIML6E = EldoLED ECOdrive 0-10V control dims from 100% to 1%

D6A / DIML6A and D6E / DIML6E Dimmer Compatibility Chart					
Manufacturer	Product	Part Number	Dimmed Light Output Range		Qty Fixtures Per Dimmer*
			DIML6A	6E	
<b>120V &amp; 277V</b>			DIML6A 6E		Refer to manufacturer's dimmer load rating for maximum and minimum fixture quantities per dimmer. Enlighted compatible.
Lutron	Diva	DVTV/NFTV with PP-20	99% - 0.1%	1%	
Lutron	Nova T	NTFTV with PP-20	99% - 0.1%	1%	
Lutron	Energi Savr Node	QSN-4T16-S	100% - 0.1%	1%	
Lutron	GP Dimming Panels	TVM2 Module	99% - 0.1%	1%	
Lutron	Interfaces	GRX-TVI w/ GRX3503	100% - 0.1%	1%	
Sensor Switch	nIO	nIO EZ	100% - 0.1%	1%	
enlighted	Control Unit	CU-3E-1R	100% - 0.1%	1%	

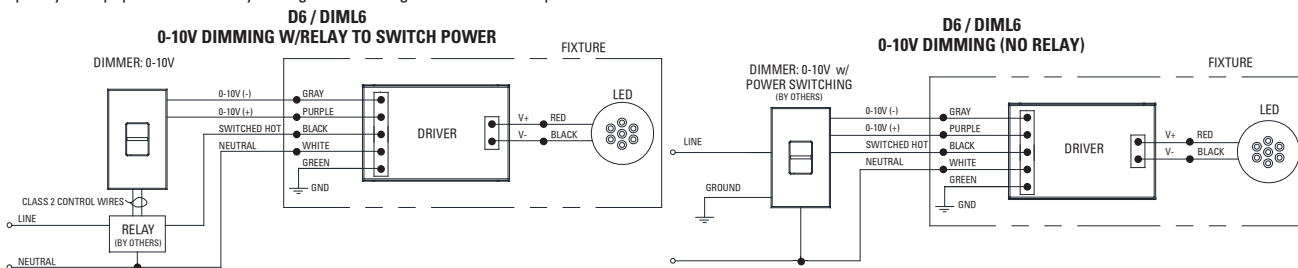
#### D6B / DIML6B and D6F / DIML6F LED Dimming Compatibility Table

D6B / DIML6B and D6F / DIML6F are logarithmic-programmed dimming drivers for use with the dimming controls listed in the table below.  
 D6B / DIML6B = EldoLED SOLOdrive 0-10V control dims from 100% to 0.1%    D6F / DIML6F = EldoLED ECOdrive 0-10V control dims from 100% to 1%

D6B / DIML6B and D6F / DIML6F Dimmer Compatibility Chart					
Manufacturer	Product	Part Number	Dimmed Light Output Range		Qty Fixtures Per Dimmer*
			DIML6B	6F	
<b>120V &amp; 277V</b>			DIML6B 6F		Refer to manufacturer's dimmer load rating for maximum and minimum fixture quantities per dimmer. Enlighted compatible.
Bush-Jaeeger	Electronic potentiometer	2112U-101	100% - 0.1%	1%	
Jung	Electronic potentiometer	240-10	100% - 0.1%	1%	
Leviton	Iluma Tech dimmer	IP710-DLX	100% - 0.1%	1%	
Lightolier (Philips)	Momentum (120V ONLY)	ZP600FAM120	100% - 0.1%	1%	
Merten	Electronic potentiometer	5729	100% - 0.1%	1%	
Pass & Seymour	Titan	CD4FB-W	100% - 0.1%	1%	
Watt Stopper	Miro	DCLV1	100% - 0.1%	1%	
Synergy	Wallbox Dimmers	ISD BC	100% - 0.1%	1%	
ABB	i-bus	SD/S 2.16.1	100% - 0.1%	1%	
Crestron	Modules	GLX-DIMFLV8, GLXP-DIMFLV8	100% - 0.1%	1%	
Crestron	Green Light	GLPAC-DIMFLV4-, GLPAC-DIMFLV8-	100% - 0.1%	1%	
Crestron	Green Light Power Pack	GLPP-DIMFLVEX-PM, GLPP-1DIMFLV2EX-PM, GLPP-1DIMFLV3EX-PM	100% - 0.1%	1%	
Crestron	DIN Rail Analog Output Module	DIN-A08	100% - 0.1%	1%	
Crestron	DIN Rail 0-10V Fluorescent Dimmer	DIN-4DIMFLV4	100% - 0.1%	1%	
Crestron	iLux 0-10V Dimmer Expansion Module	CLS-EXP-DIMFLV	100% - 0.1%	1%	
enlighted	Control Unit	CU-3E-1R	100% - 0.1%	1%	

#### DIMMING DRIVER WIRING SCHEMES:

NOTES: Wiring diagrams are examples of typical installations intended to illustrate the number of wires that must be run to fixture. These diagrams are not intended to specify all equipment necessary for a given dimming circuit. Refer to specific dimmer manufacturer's documentation for details.





# DIMMING DRIVER COMPATIBILITY SELECTION GUIDE D7 / DIML7 and D7E

## DIMMING DRIVER WIRING SCHEMES:

### NOTES:

Wiring diagrams are examples of typical installations intended to illustrate the number of wires that must be run to fixture. These diagrams are not intended to specify all equipment necessary for a given dimming circuit. Refer to specific dimmer manufacturer's documentation for details.

### IMPORTANT SAFETY INSTRUCTIONS

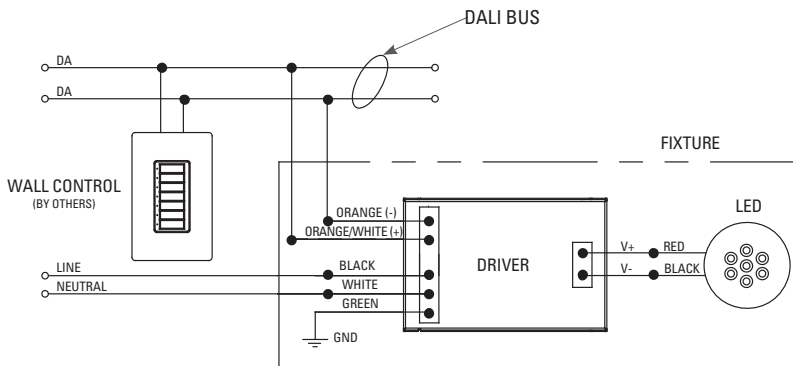
#### - SAVE THESE INSTRUCTIONS

1. Keep these instructions in a safe place for future reference.
2. Only qualified electricians in accordance to local codes should install these fixtures.
3. De-energize the electrical circuit at the circuit breaker prior to installation process or servicing.
4. Make sure all connections are in accordance with the National Electrical Code and any local regulations.
5. Cap any wires not used separately (not together).

### D7 / DIML7 and D7E Dimming Driver Wiring

D7 / DIML7 and D7E are linearly programmed dimming drivers.  
D7 / DIML7 = EldoLED SOLOdrive DALI control dims from 100% to 0.1%  
D7E = EldoLED ECOdrive DALI control dims from 100% to 1%

### D7 / DIML7 / D7E DALI CONTROLS





# DIMMING DRIVER COMPATIBILITY SELECTION GUIDE D15 / DIML15

## DIMMING DRIVER WIRING SCHEMES:

**NOTES:**  
 Wiring diagrams are examples of typical installations intended to illustrate the number of wires that must be run to fixture. These diagrams are not intended to specify all equipment necessary for a given dimming circuit. Refer to specific dimmer manufacturer's documentation for details.

### IMPORTANT SAFETY INSTRUCTIONS

#### - SAVE THESE INSTRUCTIONS

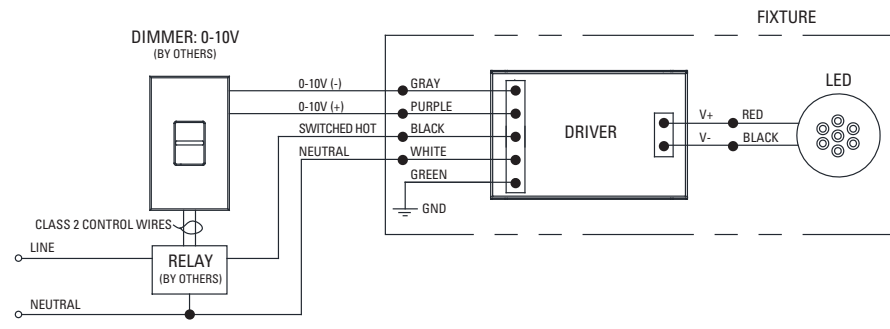
1. Keep these instructions in a safe place for future reference.
2. Only qualified electricians in accordance to local codes should install these fixtures.
3. De-energize the electrical circuit at the circuit breaker prior to installation process or servicing.
4. Make sure all connections are in accordance with the National Electrical Code and any local regulations.
5. Cap any wires not used separately (not together).

### D15 / DIML15 LED: 0-10V, 347V Dimming Driver Wiring (Dims down to 1%) 347V Only

D15 / DIML15 Dimmer Compatibility Chart			
Manufacturer	Product	Dimmed Light Output Range	Qty Fixtures Per Dimmer*
<b>347</b>			
Acuity	Synergy ISD-BC	100% - 1%	Use source current per fixture specification sheet to determine number of fixtures per dimmer. Max number of fixtures is limited by dimmer load rating.
Douglas Lighting	WPN-5721, WPN-5822	100% - 1%	
Hubbell	Light Hawk2 LHD-IRS3-N347-xx	100% - 1%	
Leviton	Illumatech IP710-DLZ with 347V relay	100% - 1%	
Leviton	Centura Fluorescent Control System	100% - 1%	
Lutron	Nova NFTV-* dimmer plus 347V relay	100% - 1%	
Lutron	Diva DDTV-* dimmer plus 347V relay	100% - 1%	

\* NOTE: Refer to dimmer manufacturer's documentation for installation instructions and circuit details.

### D15 / DIML15 0-10V DIMMING W/RELAY TO SWITCH POWER



**NOTE:**  
 If switched, non-dimming operation is desired, cap off purple and gray wires individually at installation. Do NOT cap purple and gray wires together.



# DIMMING DRIVER COMPATIBILITY SELECTION GUIDE

## D19 / DIML19

### DIMMING DRIVER WIRING SCHEMES:

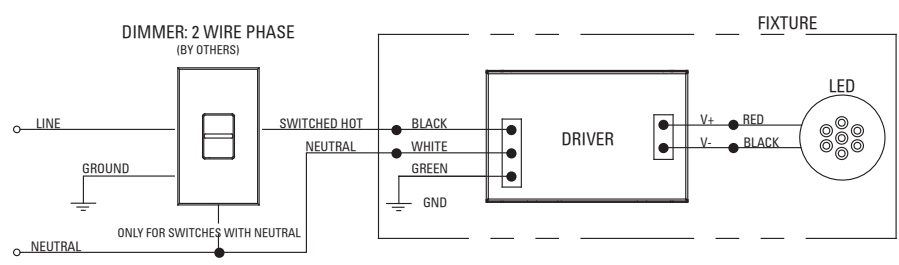
NOTES:  
 Wiring diagrams are examples of typical installations intended to illustrate the number of wires that must be run to fixture. These diagrams are not intended to specify all equipment necessary for a given dimming circuit. Refer to specific dimmer manufacturer's documentation for details.

### IMPORTANT SAFETY INSTRUCTIONS - SAVE THESE INSTRUCTIONS

1. Keep these instructions in a safe place for future reference.
2. Only qualified electricians in accordance to local codes should install these fixtures.
3. De-energize the electrical circuit at the circuit breaker prior to installation process or servicing.
4. Make sure all connections are in accordance with the National Electrical Code and any local regulations.
5. Cap any wires not used separately (not together).

**D19 / DIML19 LED:** Hatch XTC series or equivalent - Forward and Reverse Phase Dimming Driver.  
 Dims down to 1% contingent upon dimmer specification and load. 120V only.

### D19 / DIML19 2 WIRE PHASE DIMMING



### D19 / DIML19 Dimmer Compatibility Chart

120V ONLY		
Forward Phase / TRIAC Dimming		
Manufacturer	Product	Qty Fixtures Per Dimmer
Leviton	IPL06-10Z	Use fixture wattage per fixture specification sheet to determine number of fixtures per dimmer. Max number of fixtures is limited by dimmer load rating.
	6613-xxx	
Lutron	S-600P	Use fixture wattage per fixture specification sheet to determine number of fixtures per dimmer. Max number of fixtures is limited by dimmer load rating.
	S-603P	
	DVSC-603P	
	CT-600P	
	CT-603P	

120V ONLY		
Reverse Phase / ELV Dimming		
Manufacturer	Product	Qty Fixtures Per Dimmer
Leviton	6615	Use fixture wattage per fixture specification sheet to determine number of fixtures per dimmer. Max number of fixtures is limited by dimmer load rating.
	IPE04-xxx	
Lutron	NTELV-300	Use fixture wattage per fixture specification sheet to determine number of fixtures per dimmer. Max number of fixtures is limited by dimmer load rating.
	NTELV-600	
	SELV-300P	
	SELV-303P	
	DVELV-300P	
	DVELV-303P	

sixteen5hundred	Project 21-12877-3 Date 6/25/2021 RGB/W   Saturated Color Submitted By 16500, INC	Catalog Number B3RGF 30 18FC1 60 SF WH WH NC1 UNV D23X2 RJ Notes	Type
-----------------	--	--	------



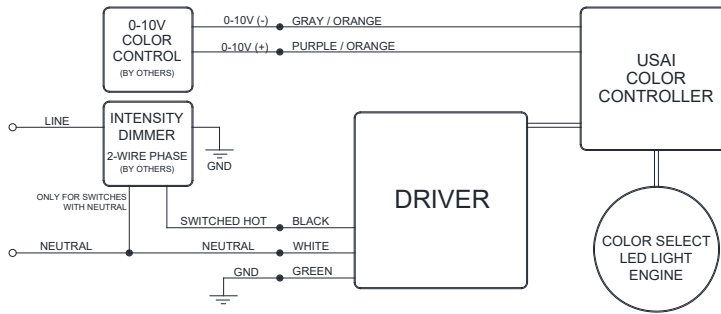
# INTENSITY DIMMING DRIVER COMPATIBILITY SELECTION GUIDE

## DIML3

### INTENSITY DIMMING DRIVER WIRING SCHEMES:

Note: Wiring diagrams are examples of typical installations intended to illustrate the number of wires that must be run to fixture. These diagrams are not intended to specify all equipment necessary for a given dimming circuit. Refer to specific dimmer manufacturer's documentation for details.

#### **DIML3 LED: Lutron Hi-Lume A-Series 2 Wire Fwd Phase (with neutral) / LED Dimming Driver Wiring (Dims down to 1%) 120V only.**



D3 / DIML3 Dimmer Compatibility Chart					
Manufacturer	Product	Part Number	Dimmed Light Output Range	Qty Fixtures Per Dimmer*	
				Fixture Wattage	
<b>120V Only</b>				39W and Less	40W - 80W
ETC	Sensor+ Cabinet	ELV10	100% - 1%	1 - 26	1 - 13
ETC	Unison DRd Cabinet	ELV10	100% - 1%	1 - 26	1 - 13
Lutron	Maestro Wireless® 600W dimmer	MRF2-6ND-120-	100% - 1%	1 - 8	1 - 4
Lutron	Maestro Wireless® 1000W dimmer	MRF2-10ND-120-	100% - 1%	1 - 13	1 - 6
Lutron	HomeWorks® QS adaptive dimmer	HQRD-6NA-	100% - 1%	1 - 8	1 - 4
Lutron	HomeWorks® QS 600W dimmer	HQRD-6ND-	100% - 1%	1 - 8	1 - 4
Lutron	HomeWorks® QS 1000 W dimmer	HQRD-10ND-	100% - 1%	1 - 13	1 - 6
Lutron	Caseta Wireless® Pro 1000W dimmer	PD-10NXD-	100% - 1%	1 - 13	1 - 6
Lutron	Stanza® dimmer	SZ-6ND-	100% - 1%	1 - 8	1 - 4
Lutron	RadioRA® 2 adaptive dimmer	RRD-6NA-	100% - 1%	1 - 8	1 - 4
Lutron	RadioRA® 2 1000 W dimmer	RRD-10ND-	100% - 1%	1 - 6	1 - 3
Lutron	myRoom DIN power module	MQSE-4A1-D	100% - 1%	1 - 6	1 - 3
Lutron	HomeWorks® QS wallbox power module	HQRJ-WPM-6D-120-	100% - 1%	1 - 26	1 - 13
Lutron	Homeworks® DIN power module	LQSE-4A1-D	100% - 1%	1 - 6	1 - 3
Lutron	HomeWorks® wallbox power module	HWI-WPM-6D-120	100% - 1%	1 - 26	1 - 13
Lutron	GRAFIK Eye® QS control unit	QSGR-, QSGRJ-	100% - 1%	1 - 26	1 - 13
Lutron	GRAFIK Eye® 3000 control unit	GRX-3100-, GRX-3500-	100% - 1%	1 - 26	1 - 13
Lutron	RPM-4U module	HW-RPM-4U-120, LP-RPM-4U-120	100% - 1%	1 - 26	1 - 13
Lutron	RPM-4A module	HW-RPM-4A-120, LP-RPM-4A-120	100% - 1%	1 - 26	1 - 13
Lutron	GP dimming panels	Various	100% - 1%	1 - 26	1 - 13
Lutron	Ariadni CL 250W dimmer	AYCL-253P-	100%-1%	1 - 8	1 - 4
Lutron	Divva CL 250W dimmer	DVCL-253P-, DVSCCL-253P-	100%-1%	1 - 8	1 - 4
Lutron	Grafik T CL or RFCL dimmer	GT-250M-, GTJ-250M-	100%-1%	1 - 8	1 - 4
Lutron	Nova T CL 250W dimmer	NTCL-250-	100%-1%	1 - 10	1 - 5

\* NOTE: Refer to dimmer manufacturer's documentation for installation instructions and circuit details.



www.usalighting.com  
info@usalighting.com

1126 River Road  
New Windsor, NY 12553

T 845-565-8500  
F 845-561-1130

©2014, USAI, LLC.  
All rights reserved.  
All designs protected by copyright.  
I2-228-3 Revised 09/26/2018





# INTENSITY DIMMING DRIVER COMPATIBILITY SELECTION GUIDE

## DIML4

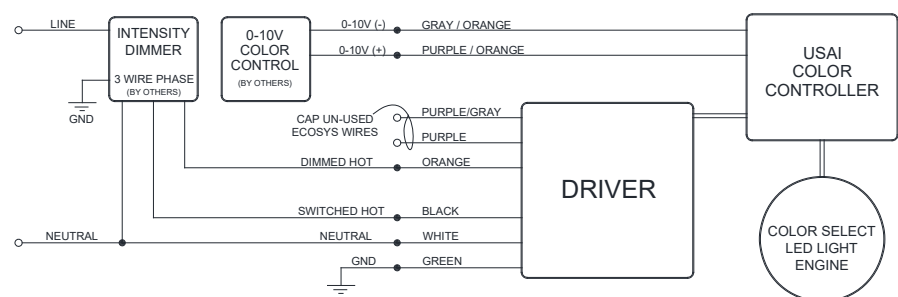


Covered By US Patents 8,581,520 and 8,456,109

### INTENSITY DIMMING DRIVER WIRING SCHEMES:

Note: Wiring diagrams are examples of typical installations intended to illustrate the number of wires that must be run to fixture. These diagrams are not intended to specify all equipment necessary for a given dimming circuit. Refer to specific dimmer manufacturer's documentation for details.

#### DIML4 LED: Lutron Hi-Lume A-Series LED Driver with Eco System Control / LED Dimming Driver Wiring (Dims down to 1%)



#### D4 / DIML4 LED: Lutron Hi-Lume A-Series LED Driver with 3-Wire FL Control / LED Dimming Driver Wiring (Dims down to 1%)

D4 / DIML4 3-Wire Dimmer Compatibility Chart					
Manufacturer	Product	Part Number	Dimmed Light Output Range	Qty Fixtures Per Control*	
				Fixture Wattage	
				39W and Less	40W - 80W
<b>120V Only</b>					
ETC	Sensor+ Cabinet	D20 Dimming module	100% - 1%	1-53	1-26
ETC	Unison DRd Cabinet	D20F Dimming module	100% - 1%	1-53	1-26
Lutron	Nova T	NTF-10-	100%-1%	1-41	1-20
Lutron	Nova T	NTF-103P-	100%-1%	1-20	1-10
Lutron	Nova	NF-10-	100%-1%	1-41	1-20
Lutron	Nova	NF-103P-	100%-1%	1-20	1-10
Lutron	Vareo	VF-10-	100%-1%	1-20	1-10
Lutron	Skylark	SF-10P-, SF-103P-	100%-1%	1-20	1-10
Lutron	Diva	DVF-103P-, DVSCF-103P-	100%-1%	1-20	1-10
Lutron	Ariadni	AYF-103P-	100%-1%	1-20	1-10
Lutron	Vierti	VTF-6A-	100%-1%	1-15	1-7
Lutron	Maestro	MAF-6AM-, MSCF-6AM-	100%-1%	1-15	1-7
Lutron	Maestro Wireless	MRF2-F6AN-DV-	100%-1%	1-15	1-7
Lutron	RadioRA 2	RRD-F6AN-DV-	100%-1%	1-15	1-7
Lutron	HomeWorks QS	HQRD-F6AN-DV	100%-1%	1-15	1-7
Lutron	Interfaces	PHPM-3F-120, PHPM-3F-DV	100%-1%	1-41	1-20
Lutron	GP Dimming Panels	Various	100%-1%	1-41	1-20
<b>277V Only</b>				40W and Less	41W - 80W
ETC	Sensor+ Cabinet	D20 Dimming module	100% - 1%	1-53	1-26
ETC	Unison DRd Cabinet	D20F Dimming module	100% - 1%	1-53	1-26
Lutron	Nova T	NTF-10-277-	100%-1%	1-44	1-22
Lutron	Nova T	NTF-103P-277-	100%-1%	1-33	1-16
Lutron	Nova	NF-10-277-	100%-1%	1-44	1-22
Lutron	Nova	NF-103P-277-	100%-1%	1-33	1-16
Lutron	Skylark	SF-12P-277-, SF-12P-277-3	100%-1%	1-33	1-16
Lutron	Diva	DVF-103P-277-, DVSCF-103P-277-	100%-1%	1-33	1-16
Lutron	Ariadni	AYF-103P-277-	100%-1%	1-44	1-22
Lutron	Vierti	VTF-6A-	100%-1%	1-33	1-16
Lutron	Maestro	MAF-6AM-277-, MSCF-6AM-277-	100%-1%	1-20	1-10
Lutron	Maestro Wireless	MRF2-F6AN-DV-	100%-1%	1-33	1-16
Lutron	RadioRA 2	RRD-F6AN-DV-	100%-1%	1-33	1-16
Lutron	HomeWorks QS	HQRD-F6AN-DV	100%-1%	1-33	1-16
Lutron	Interfaces	PHPM-3F-DV	100%-1%	1-88	1-44
Lutron	GP Dimming Panels	Various	100%-1%	1-88	1-44

\* NOTE: Number of fixtures may be higher if wattage is less than maximum values shown. Refer to dimmer manufacturer's documentation for installation instructions and circuit details.





Covered By US Patents 8,581,520 and 8,456,109

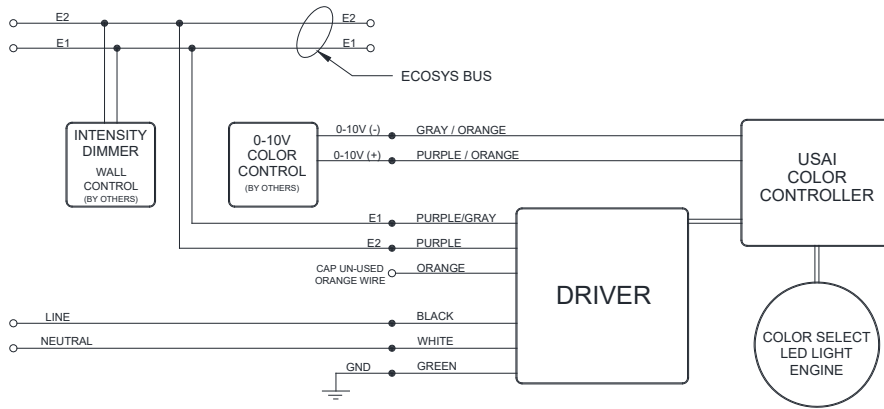
# INTENSITY DIMMING DRIVER COMPATIBILITY SELECTION GUIDE

## DIML4 Continued

### INTENSITY DIMMING DRIVER WIRING SCHEMES:

Note: Wiring diagrams are examples of typical installations intended to illustrate the number of wires that must be run to fixture. These diagrams are not intended to specify all equipment necessary for a given dimming circuit. Refer to specific dimmer manufacturer's documentation for details.

#### DIML4 LED: Lutron Hi-Lume A-Series LED Driver with Eco System Control / LED Dimming Driver Wiring (Dims down to 1%)



#### D4 / DIML4 LED: Lutron Hi-Lume A-Series LED Driver with EcoSystem Control / LED Dimming Driver Wiring (Dims down to 1%)

D4 / DIML4 EcoSystem Dimmer Compatibility Chart					
Manufacturer	Product	Part Number	Dimmed Light Output Range	Qty Fixtures Per Control*	
				Fixture Wattage	
<b>120V / 277V</b>					
				39W and Less	40W - 80W
Lutron	PowPak dimming module	RMJ-ECO32-DV-B	100%-1%	1-32	1-16
Lutron	Energi Savr Node	QSN-1ECO-S, QSN-2ECO-S	100%-1%	1-64	1-32
Lutron	GRAFIK Eye QS (120V ONLY)	QSGRJ- E, QSGR- E	100%-1%	1-64	1-32
Lutron	Quantum	Various	100%-1%	1-64	1-32

\* NOTE: Number of fixtures may be higher if wattage is less than maximum values shown. Refer to dimmer manufacturer's documentation for installation instructions and circuit details.



Covered By US Patents 8,581,520 and 8,456,109

# INTENSITY DIMMING DRIVER COMPATIBILITY SELECTION GUIDE

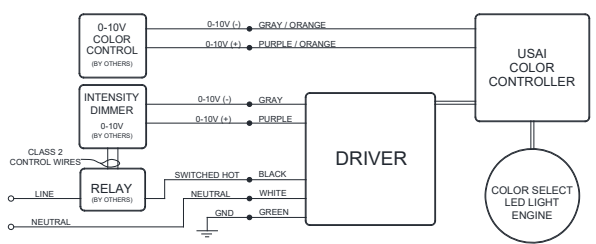
## DIML6A & 6B

## DIML6E & DIML6F

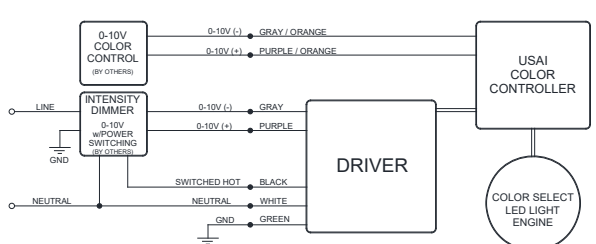
### INTENSITY DIMMING DRIVER WIRING SCHEMES:

Note: Wiring diagrams are examples of typical installations intended to illustrate the number of wires that must be run to fixture. These diagrams are not intended to specify all equipment necessary for a given dimming circuit. Refer to specific dimmer manufacturer's documentation for details.

**0-10V Dimming w/ Relay Switch to Power**



**0-10V Dimming**



### D6A / DIML6A and D6E / DIML6E LED Dimming Compatibility Table

D6A / DIML6A and D6E / DIML6E are linearly programmed dimming drivers for use with the dimming controls listed in the table below  
 D6A / DIML6A = EldoLED SOLOdrive 0-10V control dims from 100% to 0.1%  
 D6E / DIML6E = EldoLED ECOdrive 0-10V control dims from 100% to 1%

D6A / DIML6A and D6E / DIML6E Dimmer Compatibility Chart				
Manufacturer	Product	Part Number	Dimmed Light Output Range	Qty Fixtures Per Dimmer*
			<b>DIML6A</b> <b>6E</b>	Refer to manufacturer's dimmer load rating for maximum and minimum fixture quantities per dimmer. Enlightened compatible.
<b>120V &amp; 277V</b>				
Lutron	Diva	DVTV/NFTV with PP-20	99% - 0.1% 1%	
Lutron	Nova T	NTFTV with PP-20	99% - 0.1% 1%	
Lutron	Energi Savr Node	QSN-4T16-S	100% - 0.1% 1%	
Lutron	GP Dimming Panels	TVM2 Module	99% - 0.1% 1%	
Lutron	Interfaces	GRX-TVI w/ GRX3503	100% - 0.1% 1%	
Sensor Switch	nIO	nIO EZ	100% - 0.1% 1%	
enlighted	Control Unit	CU-3E-1R	100% - 0.1% 1%	

### D6B / DIML6B and D6F / DIML6F LED Dimming Compatibility Table

D6B / DIML6B and D6F / DIML6F are logarithmic-programmed dimming drivers for use with the dimming controls listed in the table below  
 D6B / DIML6B = EldoLED SOLOdrive 0-10V control dims from 100% to 0.1% D6F / DIML6F = EldoLED ECOdrive 0-10V control dims from 100% to 1%

D6B / DIML6B and D6F / DIML6F Dimmer Compatibility Chart				
Manufacturer	Product	Part Number	Dimmed Light Output Range	Qty Fixtures Per Dimmer*
			<b>DIML6B</b> <b>6F</b>	Refer to manufacturer's dimmer load rating for maximum and minimum fixture quantities per dimmer. Enlightened compatible.
<b>120V &amp; 277V</b>				
Bush-Jaeger	Electronic potentiometer	2112U-101	100% - 0.1% 1%	
Jung	Electronic potentiometer	240-10	100% - 0.1% 1%	
Leviton	Iluma Tech dimmer	IP710-DIX	100% - 0.1% 1%	
Lightolier (Philips)	Momentum (120V ONLY)	ZP600FAM120	100% - 0.1% 1%	
Merten	Electronic potentiometer	5729	100% - 0.1% 1%	
Pass & Seymour	Titan	CD4FB-W	100% - 0.1% 1%	
Watt Stopper	Miro	DCLV1	100% - 0.1% 1%	
Synergy	Wallbox Dimmers	ISD BC	100% - 0.1% 1%	
ABB	i-bus	SD/S 2.16.1	100% - 0.1% 1%	
Crestron	Modules	GLX-DIMFLV8, GLXP-DIMFLV8	100% - 0.1% 1%	
Crestron	Green Light	GLPAC-DIMFLV4-, GLPAC-DIMFLV8-	100% - 0.1% 1%	
Crestron	Green Light Power Pack	GLPP-DIMFLVEX-PM, GLPP-1DIMFLV2EX-PM, GLPP-1DIMFLV3EX-PM	100% - 0.1% 1%	
Crestron	DIN Rail Analog Output Module	DIN-A08	100% - 0.1% 1%	
Crestron	DIN Rail 0-10V Fluorescent Dimmer	DIN-4DIMFLV4	100% - 0.1% 1%	
Crestron	iLux 0-10V Dimmer Expansion Module	CLS-EXP-DIMFLV	100% - 0.1% 1%	
enlighted	Control Unit	CU-3E-1R	100% - 0.1% 1%	



www.usailighting.com  
 info@usailighting.com

1126 River Road  
 New Windsor, NY 12553

T 845-565-8500  
 F 845-561-1130

©2014. USAI, LLC.  
 All rights reserved.  
 All designs protected by copyright.  
 I2-228-6 Revised 08/28/2019



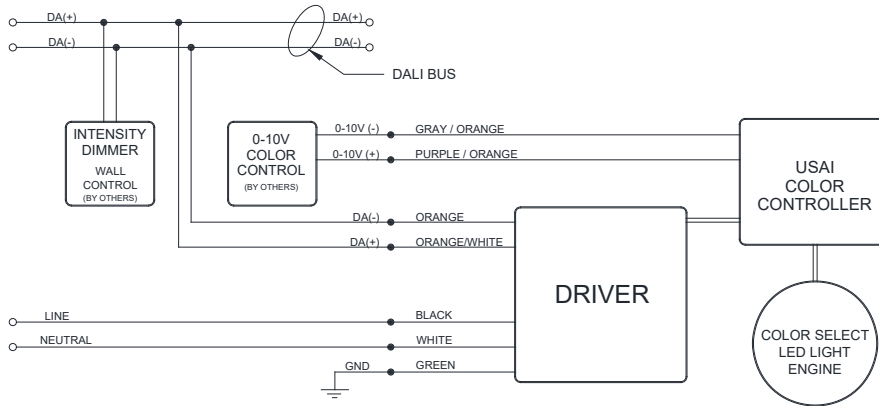
Covered By US Patents 8,581,520 and 8,456,109

# INTENSITY DIMMING DRIVER COMPATIBILITY SELECTION GUIDE DIML7

## INTENSITY DIMMING DRIVER WIRING SCHEMES:

Note: Wiring diagrams are examples of typical installations intended to illustrate the number of wires that must be run to fixture. These diagrams are not intended to specify all equipment necessary for a given dimming circuit. Refer to specific dimmer manufacturer's documentation for details.

### DIML7 LED: eldoLED DALI dimming driver (dims down to 0.1%)



NOTE: Refer to dimmer manufacturer's documentation for installation instructions and circuit details.

# BeveLED<sup>®</sup> Infinite Color<sup>+</sup><sup>™</sup>

## DIMMING DRIVER WIRING SCHEMES:

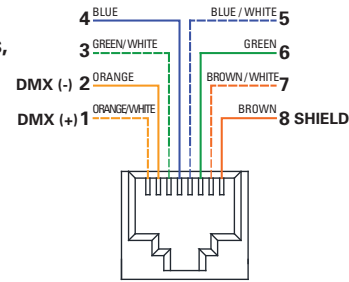
# DIMMING DRIVER COMPATIBILITY SELECTION GUIDE

## DMX1M, DMX2M

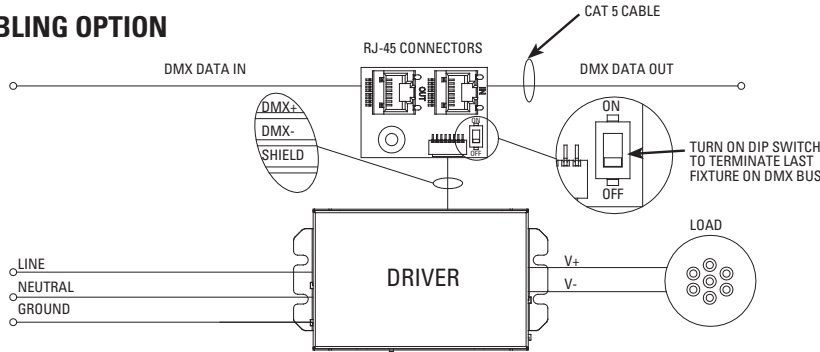
**DMX1M:** EldoLED DMX dimming with manual addressing, 8-bit (Dims down to 0%)

**DMX2M:** EldoLED DMX dimming with manual addressing, 16-bit (Dims down to 0%)

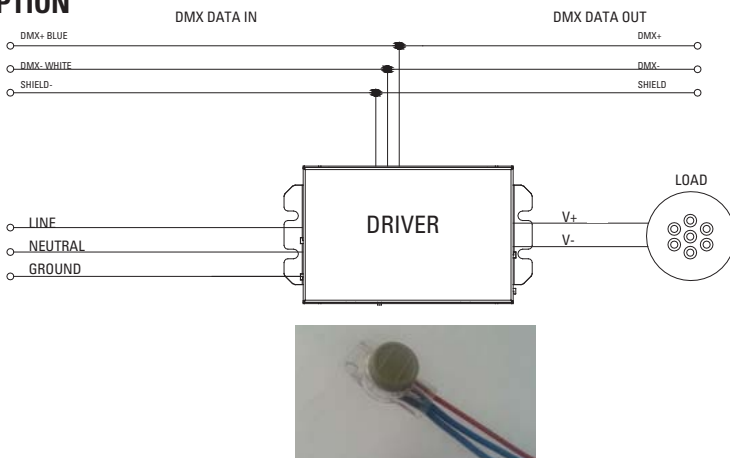
Choose from WR (splice connection), RJ (RJ45 jacks) and XL (XLR5 connectors) cabling options, and refer to corresponding wiring diagram below:



### RJ CABLING OPTION



### WR OPTION



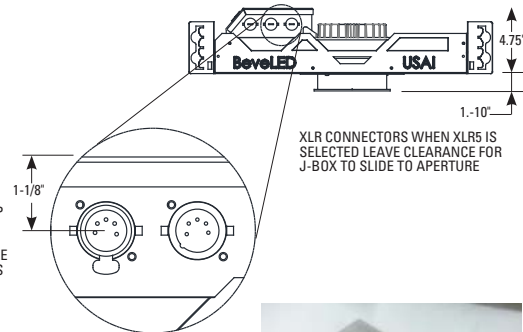
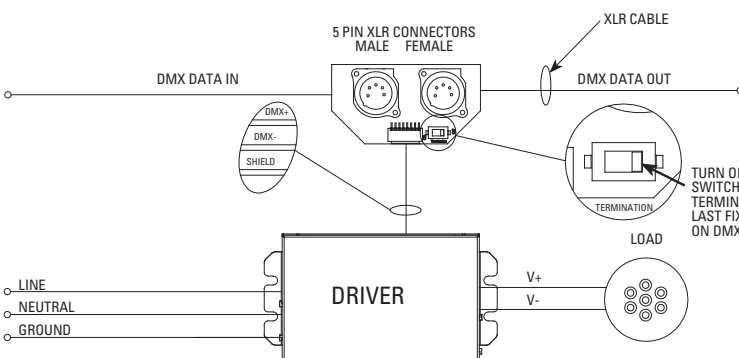
• **WR Cabling Option:** no interface board is supplied; cables must be spliced inside the junction box for connection. The data cable used must meet the following requirements:

- type: shielded, 2-conductor twisted pair
- maximum capacitance between conductors: 30 pF/ft
- maximum capacitance between conductor and shield: 55 pF/ft
- maximum resistance: 0.02 ohms/ft
- normal impedance: 100-140 ohms
- conductive core: 24 AWG is recommended

If 3-wire data cables are preferred, we suggest a Belden 9841 or equivalent cable which meets the specifications for EIA RS-485 applications. Do not use standard microphone cables: they cannot transmit DMX512 data reliably over long distances. NOTE: DMX link termination device (by others) should be used on last fixture in line on a circuit to avoid signal loss.

### XL CABLING OPTION

NOTE: This cabling option requires above ceiling access.

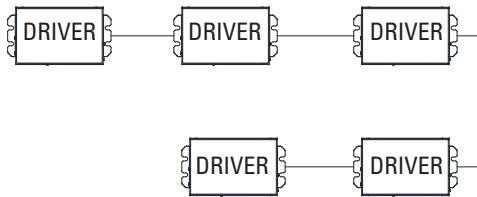


**BeveLED<sup>®</sup> Infinite Color<sup>+</sup><sup>™</sup>**  
**DIMMING DRIVER WIRING SCHEMES:**

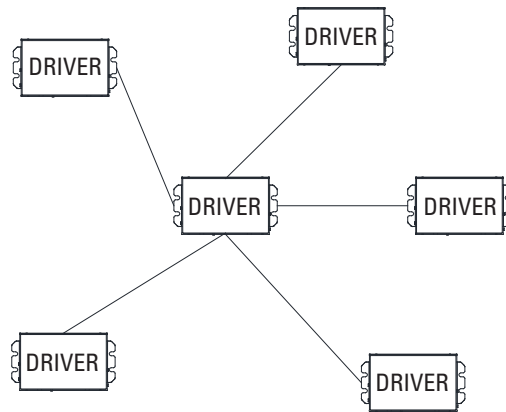
**DIMMING DRIVER COMPATIBILITY  
SELECTION GUIDE  
DMX1M, DMX2M**

**DMX MUST BE DAISY CHAINED IN SINGLE LINE**

**CORRECT !**



**INCORRECT !**



**NOTES FOR DRIVERS:**

1. DMX signal cable must NOT be run in same conduit as high voltage AC power lines.
2. Fixtures must be daisy chained in one serial line using Data in and Data out
3. Maximum of 32 DMX devices on a single DMX bus
4. Maximum of 1600 ft serial communication link distance
5. To avoid signal loss, DMX signal terminator should be used on last fixture in line. For RJ and XL cabling options, this is provided through a dip-switch on the connector board. For WR cabling options, this device (120 ohm resistor) is provided by others.
6. For best results when using WR cabling option use communication data splices.
7. Default state for fixtures off. Luminaire will not light until DMX signal is received.