

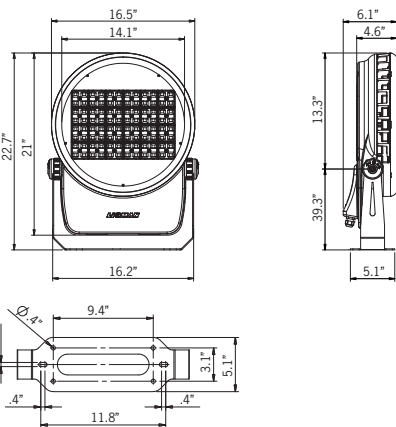
# UQA-50022

## Quantum 3 Large Floodlight



### RGBW

191w LED 12213 Lumens  
IP66 • Suitable For Wet Locations  
IK08 • Impact Resistant (Vandal Resistant)  
Weight 35.2 lbs



Mounting Detail

### Construction

#### Aluminum

Less than 0.1% copper content – Marine Grade 6060 extruded & LM6 Aluminum High Pressure die casting provides excellent mechanical strength, clean detailed product lines and excellent heat dissipation.

#### Pre paint

8 step degrease and phosphate process that includes deoxidizing and etching as well as a zinc and nickel phosphate process before product painting.

#### Memory Retentive -Silicon Gasket

Provided with special injection molded “fit for purpose” long life high temperature memory retentive silicon gaskets. Maintains the gaskets exact profile and seal over years of use and compression.

#### Thermal management

LM6 Aluminum is used for its excellent mechanical strength and thermal dissipation properties in low and high ambient temperatures. The superior thermal heat sink design by Ligman used in conjunction with the driver, controls thermals below critical temperature range to ensure maximum luminous flux output, as well as providing long LED service life and ensuring less than 10% lumen depreciation at 50,000 hours.

#### Surge Suppression

Standard 10kv surge suppressor provided with all fixtures.

#### BUG Rating

B4 - U0 - G0

#### Finishing

All Ligman products go through an extensive finishing process that includes fettling to improve paint adherence.

#### Paint

UV Stabilized 4.9Mil thick powder coat paint and baked at 200 Deg C. This process ensures that Ligman products can withstand harsh environments. Rated for use in natatoriums.

#### Hardware

Provided Hardware is Marine grade 316 Stainless steel.

#### Anti Seize Screw Holes

Tapped holes are infused with a special anti seize compound designed to prevent seizure of threaded connections, due to electrolysis from heat, corrosive atmospheres and moisture.

#### Crystal Clear Low Iron Glass Lens

Provided with tempered, impact resistant crystal clear low iron glass ensuring no green glass tinge.

#### Optics & LED

Precise optic design provides exceptional light control and precise distribution of light. LED CRI > 80

#### Lumen - Maintenance Life

L80 /B10 at 50,000 hours (This means that at least 90% of the LED still achieve 80% of their original flux)

**Adjustable surface-mounted technical floodlights. Premium projector solutions with stylish modern design, unique rotary thermal guard and numerous project options.**

Quantum small and medium LED projector range with a modern and smart design. The high pressure die-cast housings have integrated heat sinks, as well as an internal waterproof control gear housing compartment. The mounting arm is attached to a ratcheting tilting adjustment that is lockable once the desired aiming position has been achieved. This mechanism allows for small incremental adjustments for precision aiming.


This fixture has been designed around powerful high performance LEDs and precision optics so that the luminaire can be used to illuminate various applications from building facades to high multi story surfaces and accents.

This luminaire range is available with RGBW dynamic color changing technology or static white LEDs to give the specifier artistic lighting options within the same unified product family.

Available in Narrow, Medium, Wide and Elliptical light distribution. RGBW full colours render for each LEDs and static white for Color temperature 2700K, 3000K, 3500K and 4000K. Single cable gland entry for wiring is standard. Optional anti-glare louvers are available as an option. Consult factory for available configurations.

### Additional Options (Consult Factory For Pricing)



	Project 21-12877-3 Date 6/25/2021 RGB/W   Saturated Color	Catalog Number UQA-50022 191W VW RGBW30 06 120/277	Type
	Submitted By 16500, INC	Notes	


# UQA-50022

## Quantum 3 Large Floodlight



<b>PROJECT</b>	<input type="text"/>	<b>DATE</b>	<input type="text"/>
<b>QUANTITY</b>	<input type="text"/>	<b>TYPE</b>	<input type="text"/>
		<b>NOTE</b>	<input type="text"/>

ORDERING EXAMPLE || UQA - 50022 - 191w LED - M - RGBW30 - 02 - 120/277v

<b>UQA-50022</b>	<input type="text"/>	<input type="text"/>	<input type="text"/>	<input type="text"/>	<input type="text"/>
	<b>LAMP</b>	<b>BEAM</b>	<b>RGBW COLOR</b>	<b>FINISH COLOR</b>	<b>VOLTAGE</b>
	191w LED 12213 Lumens	N - Narrow Beam 10° M - Medium Beam 18° W - Wide Beam 27° VW - Very Wide Beam 71° E - Elliptical Beam 44° x 12°	RGBW30 - Warm White 3200K RGBW40 - Neutral White 4000K RGBW65 - Cool White 6850K	01 - BLACK RAL 9011 02 - DARK GREY RAL 7043 03 - WHITE RAL 9003 04 - METALLIC SILVER RAL 9006 05 - MATTE SILVER RAL 9006 06 - LIGMAN BRONZE 07 - CUSTOM RAL	 120/277v Other - Specify

<input type="text"/>	<input type="text"/>	<input type="text"/>	<input type="text"/>
----------------------	----------------------	----------------------	----------------------

### ADDITIONAL OPTIONS

- |                             |                            |
|-----------------------------|----------------------------|
| F - Frosted Lens            | <b>POLE CLAMPS</b>         |
| DIM - 0-10v Dimming         | PC4 - Pole Clamp 4" Dia    |
| NAT - Natatorium Rated      | PC45 - Pole Clamp 4.5" Dia |
| A53431 - Anti Glare Louvre  | PC5 - Pole Clamp 5" Dia    |
| A53331 - Visor              | PC55 - Pole Clamp 5.5" Dia |
| A51514 - Linear Spread Lens |                            |
| A53531 - Anti Glare Hood    |                            |

# Quantum Product Family



Quantum 1

- UQA-50001-42w-3634lm
- UQA-50003-32w-2790lm
- UQA-50004-33w RGBW-1432lm



Quantum 2

- UQA-50011-104w-10611lm
- UQA-50013-76w-7175lm
- UQA-50015-77w RGBW-4296lm



Quantum 3

- UQA-50021-269w-27436lm
- UQA-50022-191w RGBW-12213lm



Quantum 1

- UQA-21001-3x42w-3x3634lm
- UQA-21003-3x32w-3x3250lm
- UQA-21004-3x33w RGBW-3x185lm
- UQA-21011-6x42w-6x3634lm
- UQA-21013-6x32w-6x3250lm
- UQA-21014-6x33w RGBW-6x1185lm



Quantum 2

- UQA-21021-104w-10611lm
- UQA-21023-76w-7175lm
- UQA-21024-84w-8031lm
- UQA-21031-2x104w-2x10611lm
- UQA-21033-2x76w-2x7175lm
- UQA-21034-2x84w-2x8031lm



Quantum 2

- UQA-21025-77w-4296lm
- UQA-21035-2x77w-2x4296lm