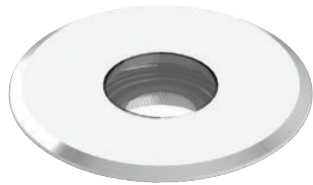


UNE-60836

Nevada 1 Ingrade - Constant Voltage



Construction

Aluminum

Less than 0.1% copper content - Marine Grade 6060 extruded & LM6 Aluminum High Pressure die casting provides excellent mechanical strength, clean detailed product lines and excellent heat dissipation.

Pre paint

8 step degrease and phosphate process that includes deoxidizing and etching as well as a zinc and nickel phosphate process before product painting.

Memory Retentive -Silicon Gasket

Provided with special injection molded "fit for purpose" long life high temperature memory retentive silicon gaskets. Maintains the gaskets exact profile and seal over years of use and compression.

Thermal management

LM6 Aluminum is used for its excellent mechanical strength and thermal dissipation properties in low and high ambient temperatures. The superior thermal heat sink design by Ligman used in conjunction with the driver, controls thermal below critical temperature range to ensure maximum luminous flux output, as well as providing long LED service life and ensuring less than 10% lumen depreciation at 50,000 hours.

Surge Suppression

Standard 10kv surge suppressor provided with all fixtures.

Finishing

All Ligman products go through an extensive finishing process that includes fettling to improve paint adherence.

Paint

UV Stabilized 4.9Mil thick powder coat paint and baked at 200 Deg C. This process ensures that Ligman products can withstand harsh environments. Rated for use in natatoriums.

Frame & Hardware

Marine grade 316 Stainless steel.

Anti Seize Screw Holes

Tapped holes are infused with a special anti seize compound designed to prevent seizure of threaded connections, due to electrolysis from heat, corrosive atmospheres and moisture.

Low Iron Borosilicate Glass Lens.

Provided with tempered, impact resistant borosilicate low iron glass ensuring no green glass tinge.

Optics & LED

Precise optic design provides exceptional light control and precise distribution of light. LED CRI > 80

Lumen - Maintenance Life

L80 /B10 at 50,000 hours (This means that at least 90% of the LED still achieve 80% of their original flux)

BUG Rating

B2 - U3 - G3

Discrete, minimal-footprint inground accent lighting. White light or dynamic RGBW options with connection accessories and controls systems.

A range of 3" inground uplights with a round stainless steel trim, suitable for illuminating columns, wall accents, architectural and landscape features. Product is suitable for way finding and marker light applications.

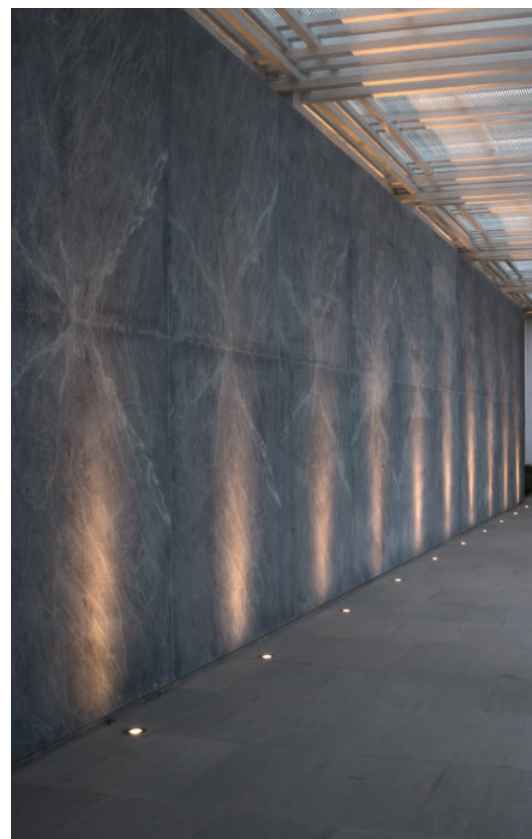
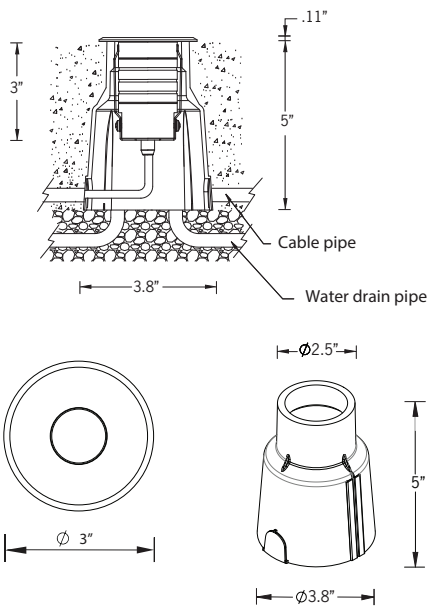
Supplied with 6.4' of 20GA outdoor cable. Walk over 440 lbs. maximum. Recessing box is provided in polyvinyl chloride (PVC). A remote driver is provided and should be installed in a remote mounted waterproof box provided by Ligman. The high power LED option is available in white 2700K, 3000K, 3500K and 4000K.

To ensure efficient drainage, gravel must be used to a depth of 17" and width of 12" beneath the housing, and should also be placed around the luminaire.

This is a constant voltage fixture. It can support one driver for multiple fixtures. This fixture is non dimming

RGBW

5w LED 224 Lumens
IP67 • Suitable For Wet Locations
IK10 • Impact Resistant (Vandal Resistant)
Weight 1 lbs



sixteen5hundred	Project 21-12877-3 Date 6/25/2021 RGB/W Saturated Color Submitted By 16500, INC	Catalog Number UNE-60836 5W RGBW30 120/277 Notes	Type
-----------------	--	--	------

UNE-60836

Nevada 1 Ingrade - Constant Voltage



PROJECT		DATE	
QUANTITY		TYPE	
NOTE			

ORDERING EXAMPLE || UNE-60836-5w - RGBW30- 120/277v

UNE-60836			
LAMP	RGBW COLOR	VOLTAGE	
5w LED 224 Lumens	RGBW30 - Warm White 3200K RGBW40 - Neutral White 4000K RGBW65 - Cool White 6850K	120/277v Other - Specify	

--	--	--

ADDITIONAL OPTIONS

- F - Frosted Lens
- NAT - Natatorium Rated