

World famous Flare features and performance in a razor-thin format!

Featuring Q⁺ Technology™



- Famous Flare brightness, colors, control
- Patent Pending Preset Yoke™ included! Innovative indexing function, adjustable in 15-degree increments
- Flexible mounting/joining options available for scenery, truss, pipe, and floor. Vertically hang coupled units up to 5m in total length!
- “Theatre” (effectively silent) and “Turbo” (super-bright) modes
- Available in 50 and 100cm lengths

All the Great Features of Flare

BRIGHT! World famous Flare brightness. Nothing Brighter!

SATURATED COLORS! Intense, deep reds and blues. Ultra-bright greens. Brilliant camera-friendly whites.

SMOOTH! Instantaneous RGBW color mixing with 1200Hz refresh rate – Smooth on-camera dimming

VERSATILE! Pixel-map feature divides into 2, 3, 4, 6, or 12 sections for ultimate control

FLEXIBLE! 36-degree beam angle optimized for most applications. 22, 54, & 70-degree available by special order.

SAVINGS! Simultaneous color wash, strobe, and blinder in ONE fixture – Saves labor, time, space, energy, and cost



Worldwide Exclusive Distribution

sales@tmb.com

Los Angeles
+1 818.899.8818

London
+44 (0)20.8574.9700



New York
+1 201.896.8600

Beijing
+86 10.8492.1587

Toronto
+1 519.538.0888

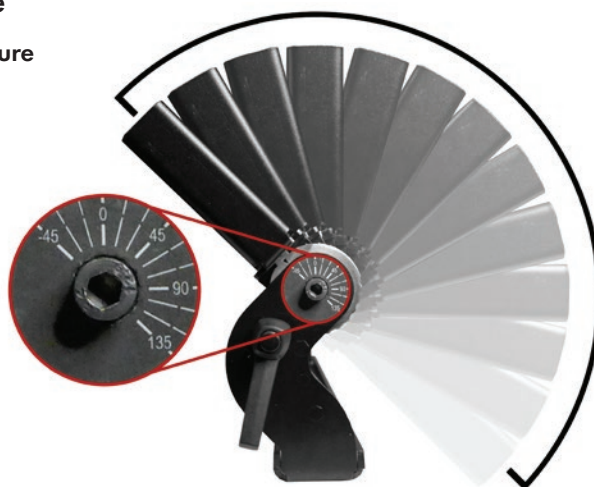
Specifications

| | 50 cm | 100 cm |
|--|--|--|
| Light sources | 18 CREE® LEDs (divided in to 6 pixels) | 36 CREE® LEDs (divided in to 12 pixels) |
| Beam Spread | 36° | |
| Colors | 4- R, G, B, W | |
| Average color wavelength (manufacturer rated) | Red: 625 nm | |
| | Green: 530 nm | |
| | Blue: 460 nm | |
| | White: >5700K | |
| Refresh rate | 1200 Hz | |
| Intensity control | 16-bit or 8-bit | |
| Control | RDM, DMX-512, Demo, Manual Mode. Light output and fan controlling modes - Turbo (full output), Quiet (theatre mode), Compatible (matches regular Flare); | |
| AC power | 100-277 VAC Universal Input, 50-60 Hz | |
| Fuse | 2A 250V slow-blow (5x20mm) | 4A 250V slow-blow (5x20mm) |
| Cooling | Air cooling + fan | |
| Operating temperature | -4 to +104 °F [-20 to +40 °C] | |
| DMX channels | 3-32 depending on control mode | 3-56 depending on control mode |
| DMX connectors | Input 5-pin XLR male, Thru 5-pin XLR female | |
| DMX pin configuration | pin 1 shield, pin 2 (data-), pin 3 (data+), pin 4 n/a, pin 5 n/a | |
| Max. power draw | 200 W | 400 W |
| Power Connectors | Input PowerCON 20A blue, Thru PowerCon 20A grey | |
| Fixing | Adjustable yoke | |
| Unit Dimensions (LxWxH) | 19.6 x 1.61 x 9.39 in. [498 x 41 x 238.5 mm] | 39.3 x 1.61 x 9.39 in. [998 x 41 x 238.5 mm] |
| Shipping Dimensions (LxWxH) | 22.25 x 10.5 x 7.75 in. [565 x 267 x 197 mm] | 42 x 10.5 x 7.75 in. [1067 x 267 x 197 mm] |
| Unit Weight | 8.10 lbs. [3.67 kg] | 13.65 lbs. [6.19 kg] |
| Shipping weight | 9.55 lbs. [4.33 kg] | 16.10 lbs. [7.3 kg] |

Specifications and features are subject to change without notice.

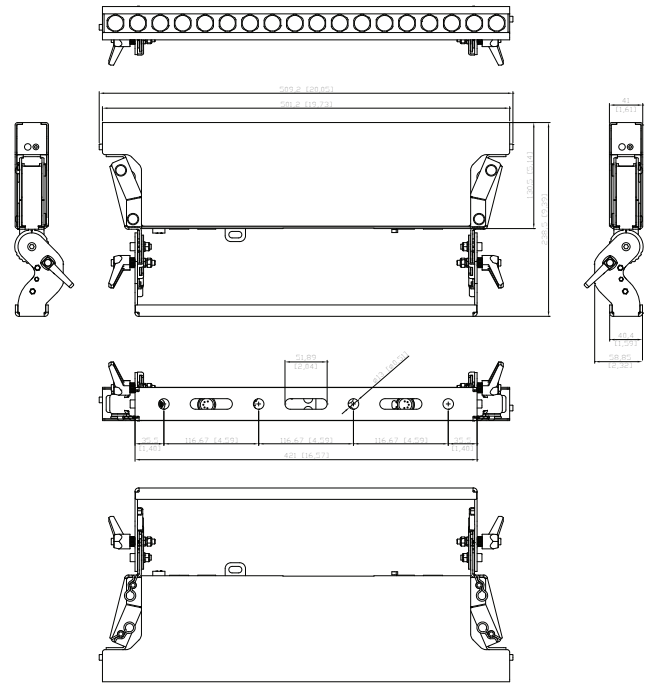
PreSet™ Yoke Included with fixture

Automatically snaps to 15° increments from -45° to +135°
Can also be manually set to any angle in between
Patent Pending

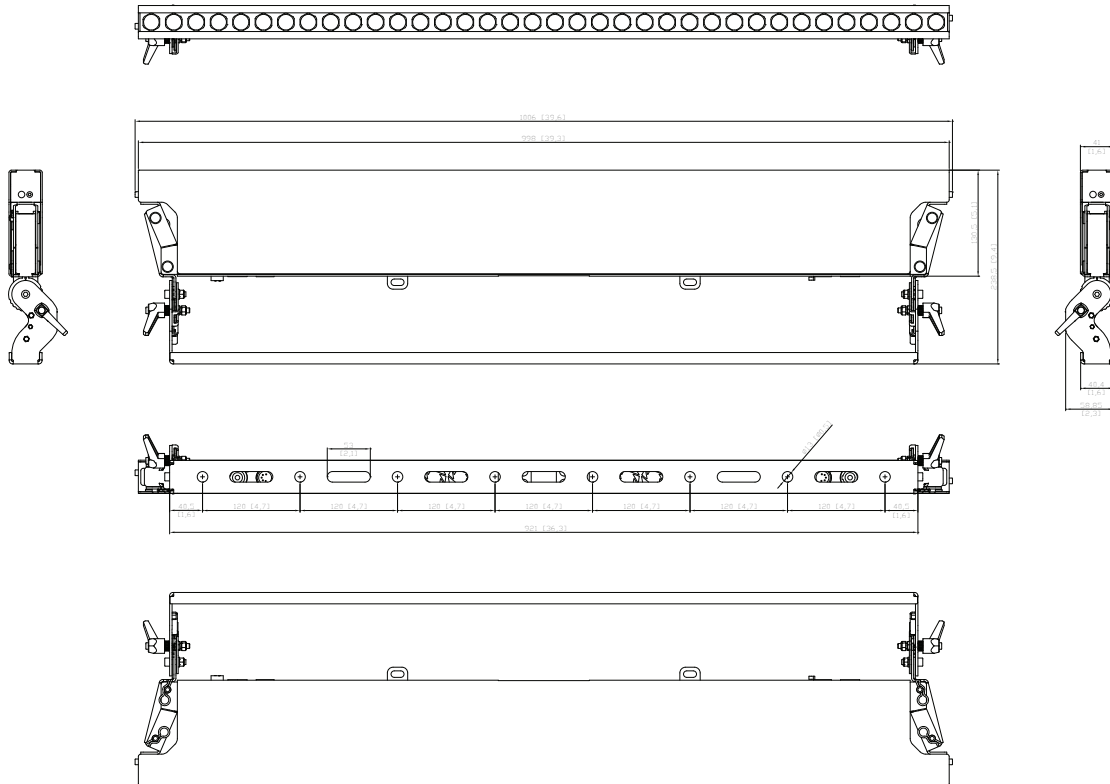


Ordering Codes

| Ordering Code | Item |
|-----------------|--------------------------------|
| SOLFQRZ1K36R100 | Flare RZ Rayzr Fixture, 100 cm |
| SOLFQRZ1K36R50 | Flare RZ Rayzr Fixture, 50 cm |
| SOLFQRZAFL | Rayzr Attachable Foot, left |
| SOLFQRZAFR | Rayzr Attachable Foot, right |
| SOLFQRZJA | Rayzr Joining Adapter |
| SOLFQRZHA | Rayzr Hanging Adapter |
| SOLFQZSM | Rayzr Scenery Mount, pair |

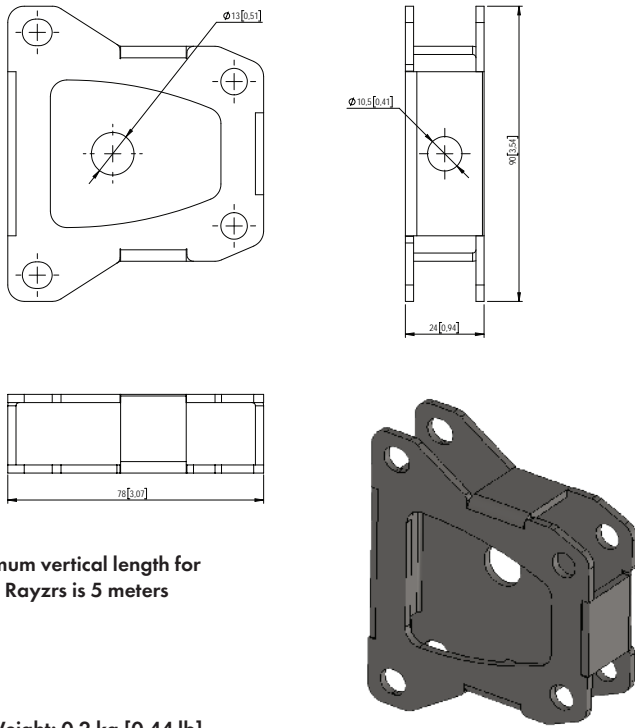


Dimensions in mm [Inch]



Dimensions in mm [Inch]

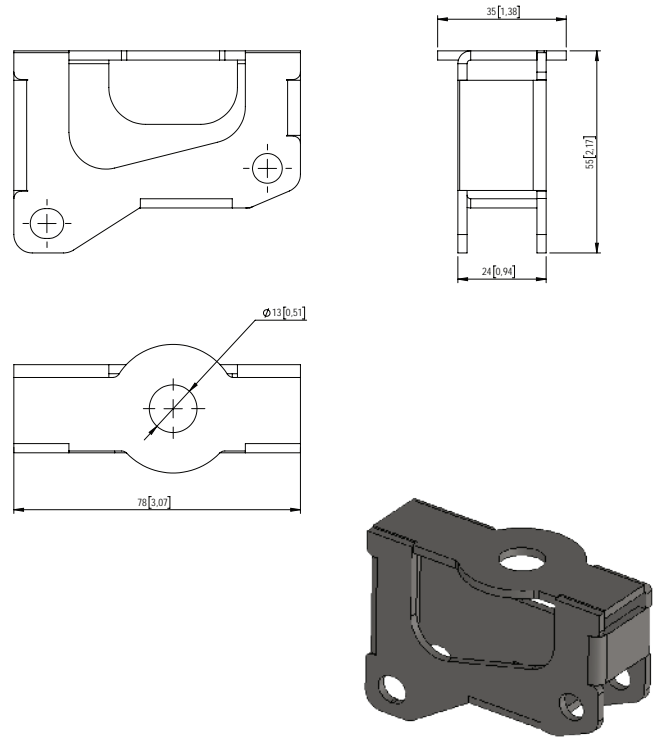
Rayzr Joining Adapter



Maximum vertical length for joined Rayzrs is 5 meters

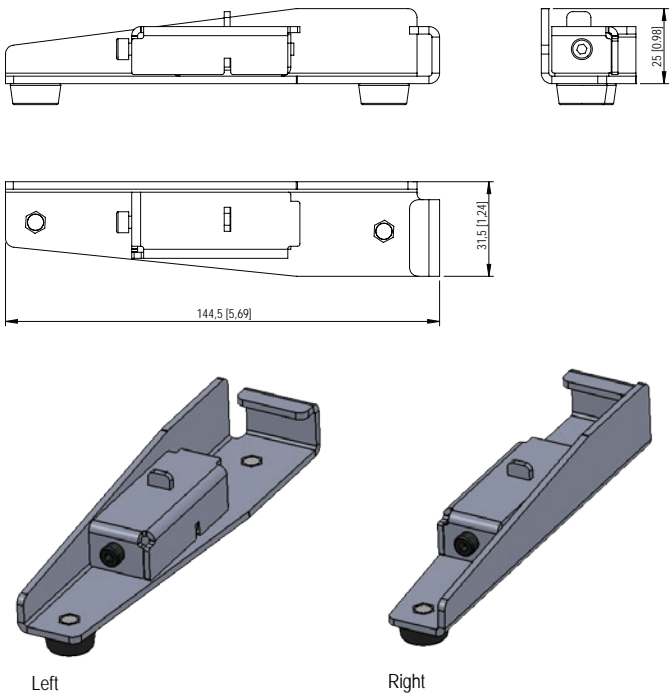
Unit Weight: 0.2 kg [0.44 lb]

Rayzr Hanging Adapter



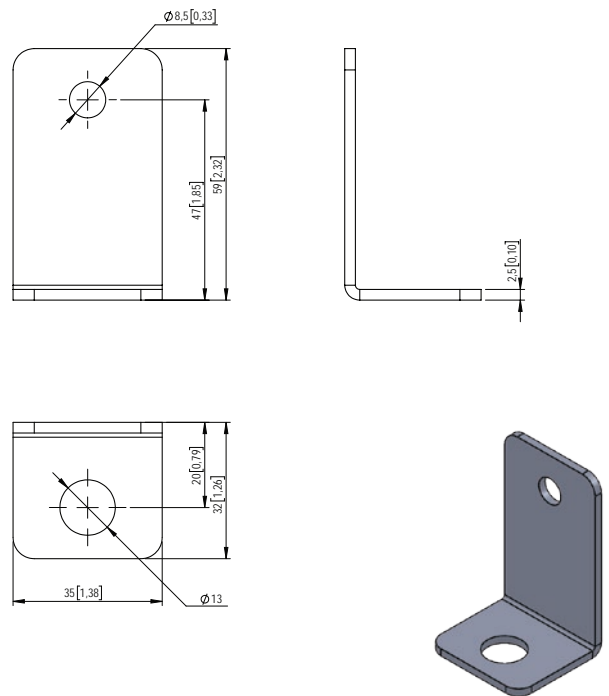
Unit Weight: 0.26 kg [0.57 lb]

Rayzr Attachable Feet



Unit Weight: 0.4 kg [0.88 lb.] per set

Rayzr Scenery Mount



Unit Weight: 0.05 kg [0.11 lb]