



WORLDWIDE  
EXCLUSIVE  
DISTRIBUTION

# FLARIP

SOLARIS



Incredibly BRIGHT!

IP65 rated for outdoor use.

Full RDM functionality for easy monitoring and setup

Beautiful RGBW color-changing illumination with smooth, even field over great distances

Intelligent thermal management for the hottest and coolest environments

Based on proven technology used in the popular, award-winning Solaris Flare

# FLARE IP

Solaris LED FLARE IP outdoor ultra-high output LED wash fixtures. Based on technology proven in the award-winning, super-bright Flare portable stage lighting fixture, Flare IP offers unprecedented RGBW output per Watt, making it a truly "Green" product.

Flare IP features Cree® LEDs and carefully selected reflectors or lenses, delivering an incredibly smooth and even field. Full RDM implementation provides easy setup and monitoring in a tamper-proof design. High output in a compact design makes Flare IP the most powerful, desirable, outdoor Architectural fixture available for color-changing illumination of large structures of all kinds. IP65 rating ensures dependable, long-term use outdoors.



# SOLARIS®

SuperBright,  
Outdoor  
LED RGBW  
Wash Fixtures  
IP Rated for  
Architectural  
Installations



Incredibly BRIGHT! Over 34,000 peak lumens!

96 CREE® LEDs with reflectors

Four beam width options: 22°, 36°, 54°, and 70°

Single and dual-head versions available

Remote ballast option

# FLARE IPHD



Incredibly BRIGHT! The HR model delivers over 27,000 lumens with 8° beam width\*

Ultra-long throw! Up to 2200 lux @ 50 ft.; 540 lux @ 100 ft. (subject to change)

216 CREE® LEDs with 8° lenses

Single and dual-head versions available

\* based on preliminary photometric data for dual head HR

# FLARE HR

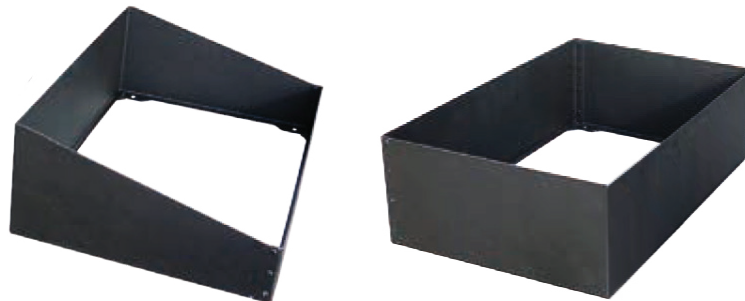




Specifications		
Model	Flare IP HD Single Head	Flare IP HR Single Head
LED power	960 W	575 W
Total lumen output	34,000 peak / 13,000 steady state	14,500 max
LED light sources	96 CREE®	216 CREE®
Native LED colors	RGBW	
Pixels per fixture	1 or 12	1
Beam spread*	22°, 36°, 54°, 70°	8°
Refresh rate	1200 Hz	
Control Protocol	DMX 512A + RDM	
DMX Channels	4 (1-pixel, 8-bit mode) 8 (1-pixel, 16-bit mode) 48 (12-pixel, 8-bit mode) 96 (12-pixel, 16-bit mode)	4 (8-bit mode) 8 (16-bit mode)
Configuration	Fixture addressing and monitoring via RDM, no interface on fixture	
AC Power	90-277 VAC, 50/60 Hz	
Power Consumption	1000 W max	600 W max
DMX connectors	Input/Thru hard wired	
Power connectors	Input hard wired	
Cooling	Passive	
IP rating	IP65	
Operating Temperature	-20 to +40 °C [-4 to 104 °F]	
Width	568 mm [22.36"]	
Height	349 mm [13.74"]	
Depth	310 mm [12.2"]	
Unit Weight	34 kg [75 lb]	
Remote Ballast Weight	8 kg [17.6 lb]	
Limited Warranty	2 Years	

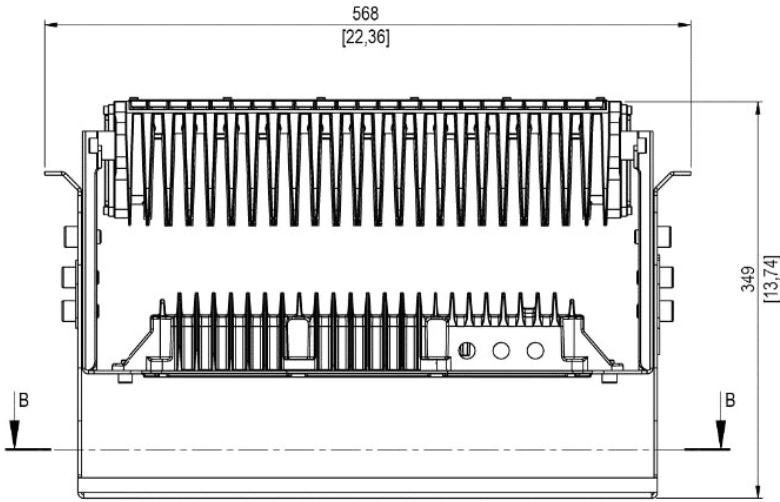
\* Beam spread have to be specified prior to order

Specifications and features are subject to change without notice.

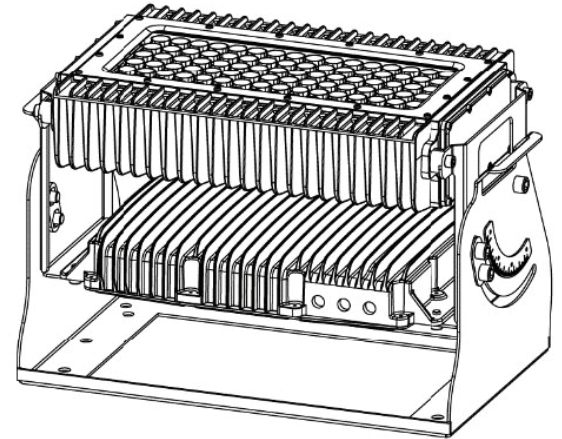
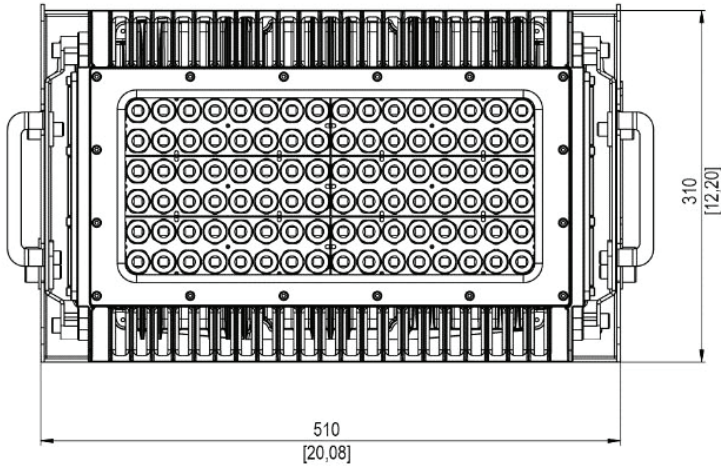
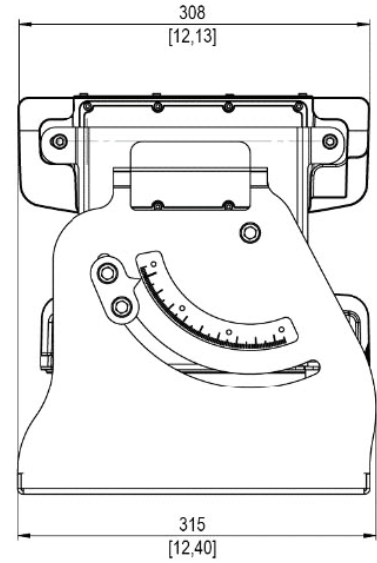


**Flare IP Glare Shields – Two options available**

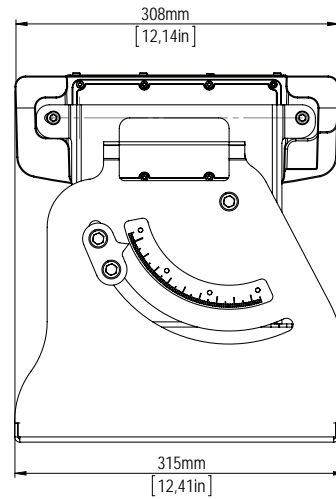
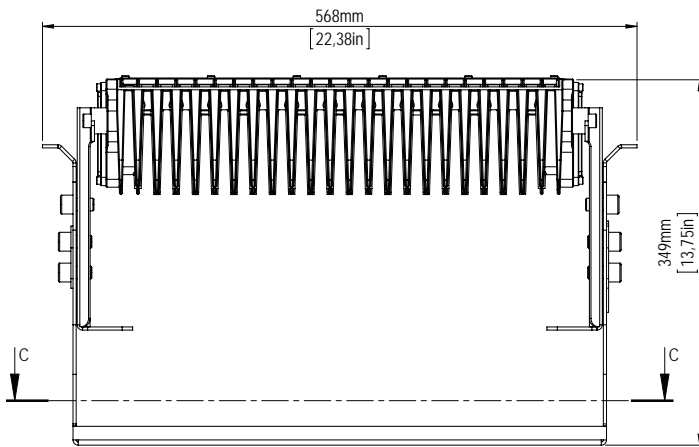
### Single Head Dimensions



Dimensions in millimeters [inches]



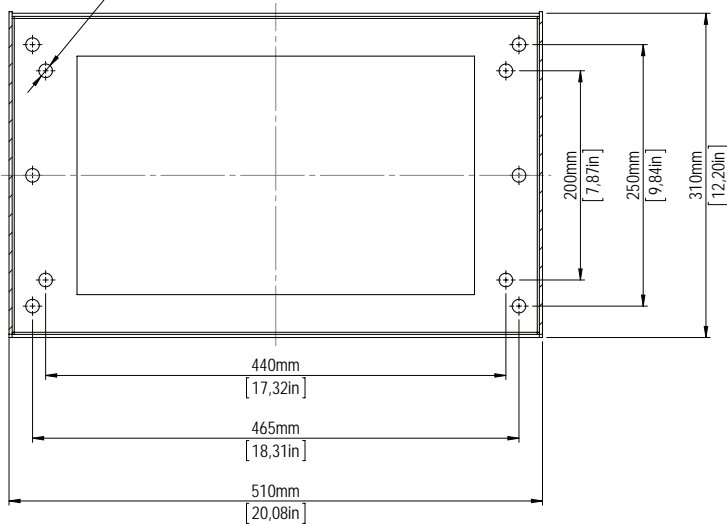
### Remote Ballast Configuration



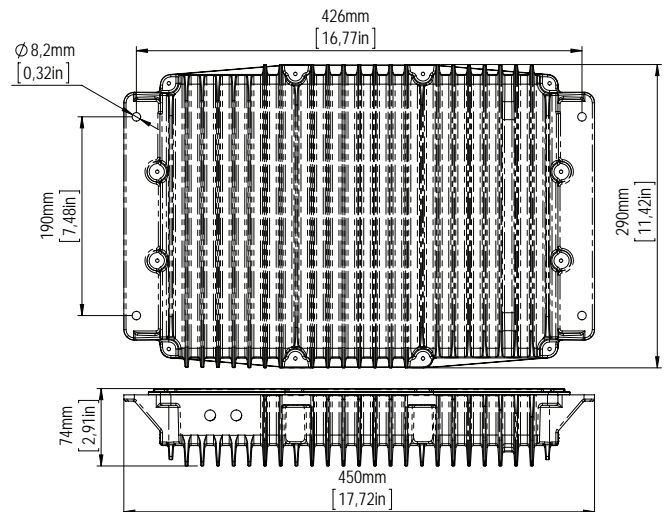
SECTION C-C

Mounting holes

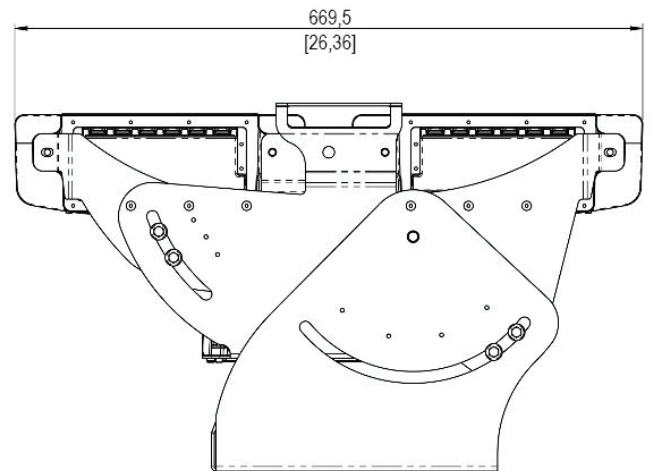
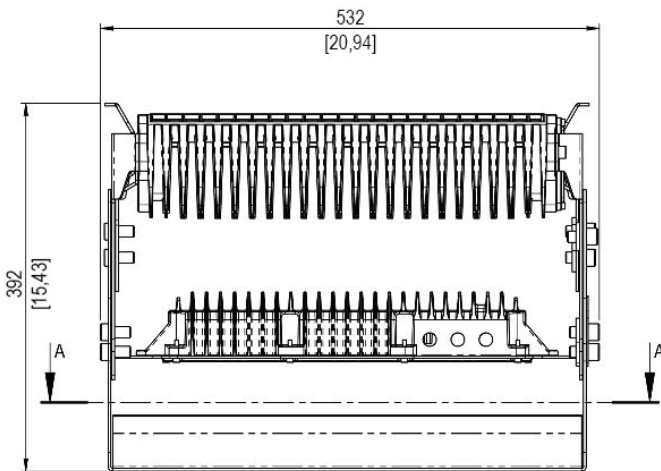
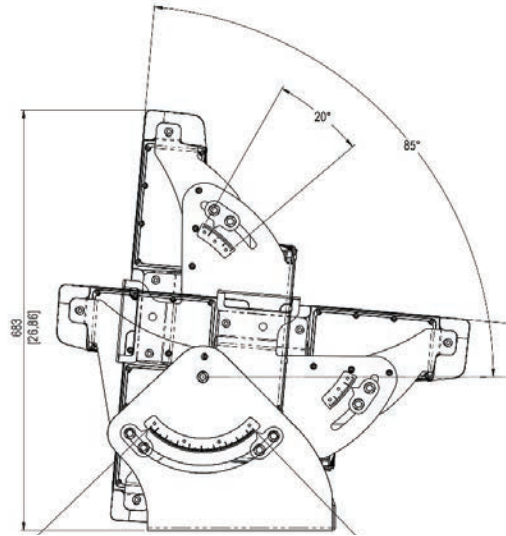
10x Ø13



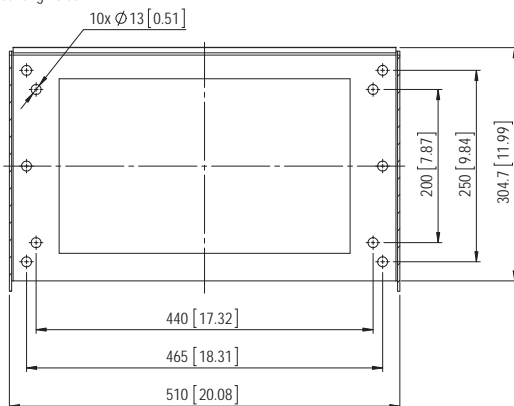
Dimensions in millimeters [inches]





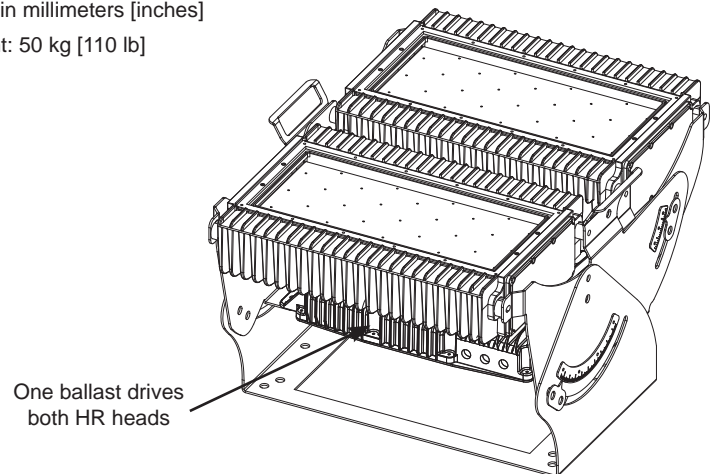


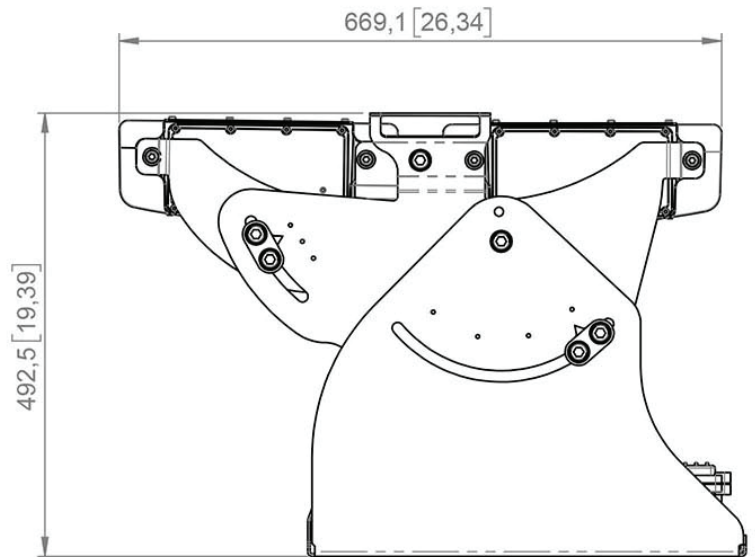
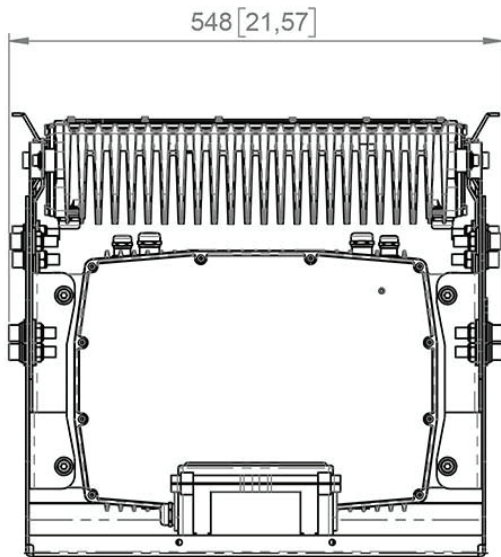
SECTION A-A  
Mounting holes



Dimensions in millimeters [inches]

Weight: 50 kg [110 lb]

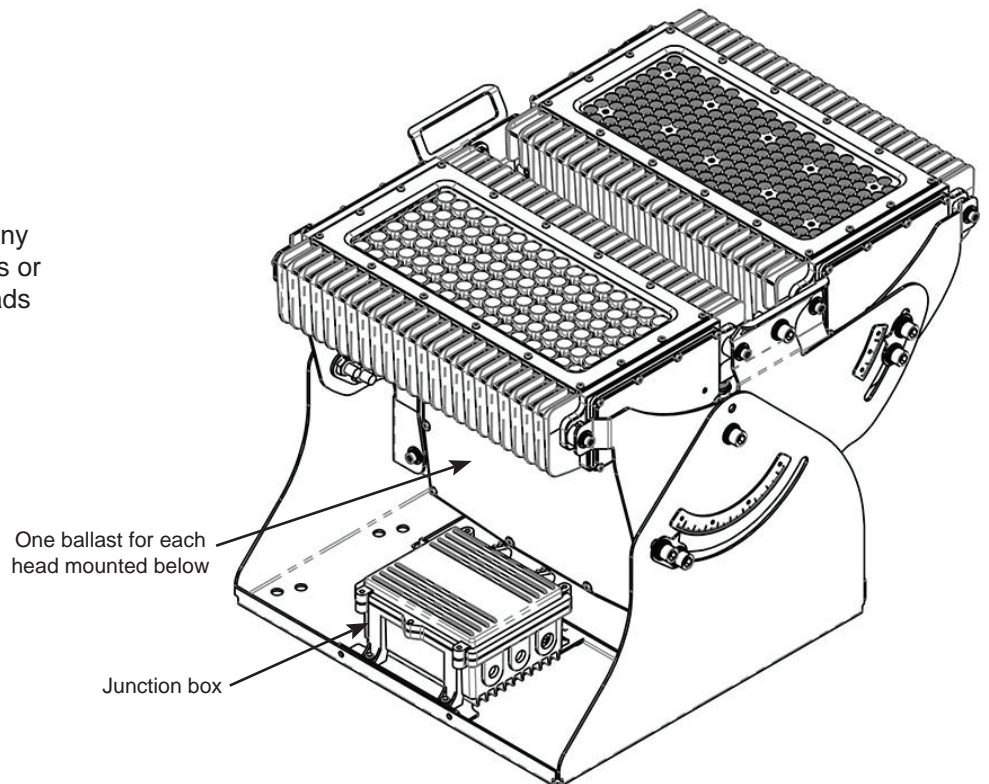




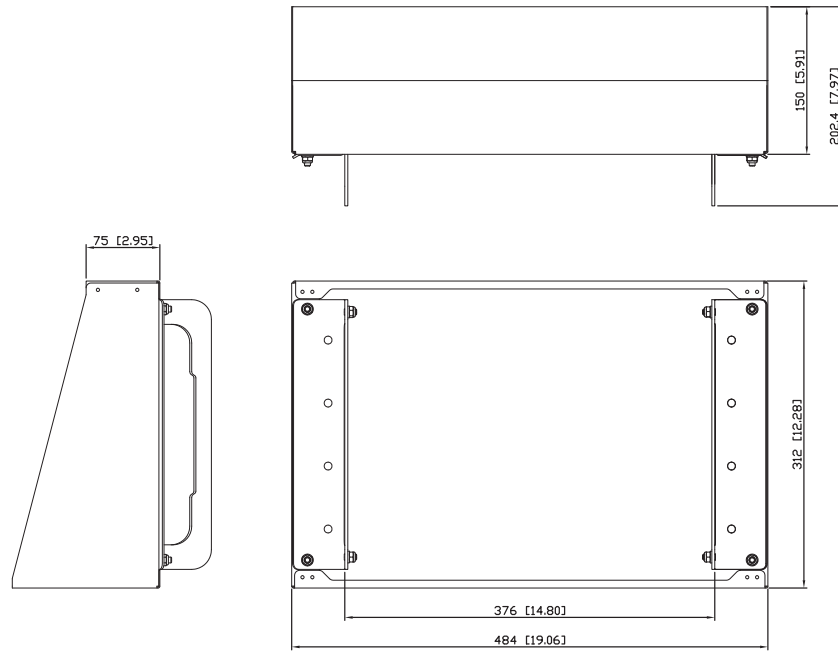
Dimensions in millimeters [inches]

Weight: 72 kg [159 lb]

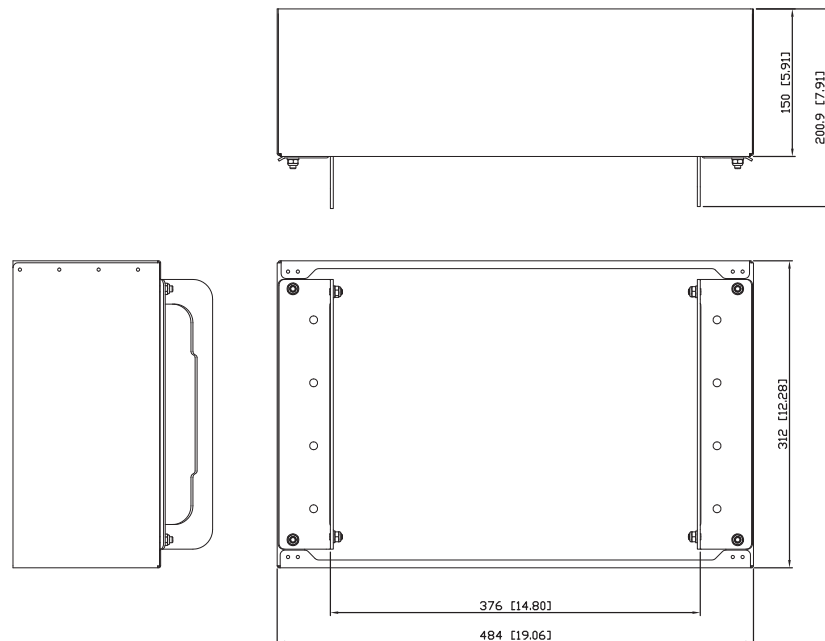
This configuration can include any combination of HR and HD heads or any combination of dual HD heads



### Flare IP Glare Shields



Dimensions in millimeters [inches]



**SOLARIS**  
**FLARIP**

---

**sales@tmb.com**

Los Angeles  
+1 818.899.8818

London  
+44 (0)20.8574.9700

**tmb**  
**www.tmb.com**

New York  
+1 201.896.8600

Beijing  
+86 10.8492.1587

Toronto  
+1 519.538.0888

---