

sixteen5hundred	Project 21-12877-3 Date 6/25/2021 RGB/W Saturated Color	Catalog Number SD2 RGB W+M DMX 801.10 CLA TP SS	Type
	Submitted By 16500, INC	Notes	

Date: _____ Customer: _____
 Project: _____
 Type: _____ Qty: _____



Olivio Grande LED Universal



Order Code: OLGL - _____ - _____ - _____ - _____ - _____ - _____

Pole Order Code: _____ - _____ - _____ - _____
 Series Height Finish Options

<u>OLGL</u>	Series	OLGL Olivio Grande LED					
	Optics	S09 Spot, 9°	F40 Flood Medium, 44°	F80 Flood, 78°	ASM Asymmetric (no SLH or SLV option)		
	Mounting	U Universal (surface mount)	T1 Single Pole Top				
	Light Engine	2G350 14W / 1190lm	2G725 28W / 2380lm	2G130 58W / 4905lm	* Based on F80 distribution and 3000K CCT.		
	CCT	30 ¹ 3000K	40 4000K	RGBW (consult factory)			¹ Dark Sky approved with (ds) option only.
	Finish	WH White	BK Black	BL Semi-Matte Black	BZ Bronze	SV Silver	SP Specify Premium Color
	Voltage	120	208	240	277	347	
	Options	DS ² Dark Sky 0° Tilt Option	DM Dimming, (0-10V)	HL50 ^{3,5} High-Low switching Low Output 50%	SLH Spread Lens Horizontal (fixed)	SLV Spread Lens Vertical (fixed)	² Dark Sky approved with (DS) option only, and 3000k CCT. ³ Only available with 120V, 240V, or 277V ⁴ Cannot be combined with SLH, SLV or ASM options. ⁵ Cannot be combined with DM option
		HX ⁴ Micro honey comb louver	CF Color Filter (consult factory)				

Product Modifications

Please list modification requirements for review by factory:

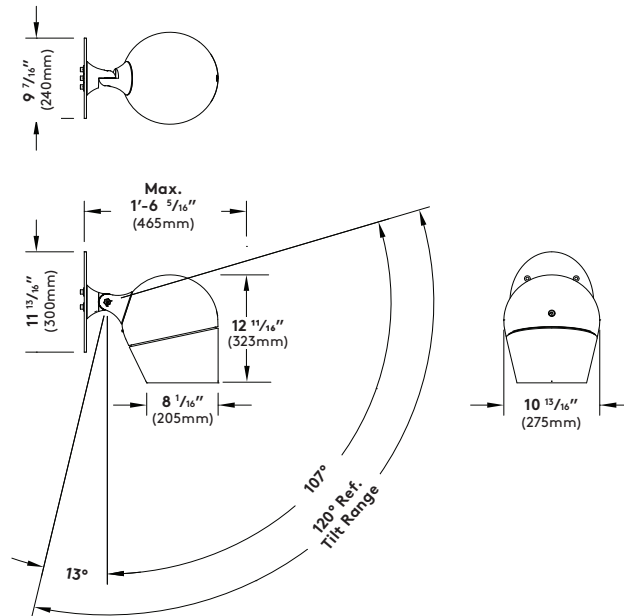
Approvals

Date:



Olivio Grande LED Universal

OLGL-U



Specifications

1. Luminaire Housing - Two-piece high-pressure die-cast housing, made of low-copper aluminum alloy. Single recessed captive screw allows easy access to light engine & gear tray components.

2. Gasketing - (not shown) UV and ozone-resistant silicone gasket between fixture housing and lens base provide IP67 level ingress protection. IP rated micro-membrane ensures pressure compensation.

3. Lens - (not shown) Tempered clear glass lens.

4. LED Light Engine - (not shown) made from high flux COB and vacuum metalized aluminum reflectors. Selux is using brand name LED manufacturers. Available in 3000K and 4000K, CRI minimum 80. Reflectors made from high purity aluminum to ensure high efficiencies throughout lifetime. Complete light engine can be removed easily for future upgrade. LED light engine provides a reported lumen maintenance of 84.3% at 60,000 hours. L70 calculated greater than 60,000 hours.

5. LED Driver - (not shown) Selux uses brand name high efficiency LED drivers. LEDs are driven by RoHS compliant high-efficiency driver. Excellent for cold temperature starting and instant on. Min. operating temperature -40°C/ -40°F.

6. Surge Protector - (not shown) Designed to protect luminaire from electrical surge (20kA).

7. Power Cord - (not shown) Pre-installed at factory and hidden through the luminaire hinge and hinge arm. Power cords are specified to fit the length of the pole specified with the luminaire.

Exterior Luminaire Finish - Selux utilizes a high quality Polyester Powder Coating. All Selux luminaires and poles are finished in our Tiger Drylac certified facility and undergo a five stage intensive pretreatment process where product is thoroughly cleaned, phosphated and sealed. Selux powder coated products provide excellent salt and humidity resistance as well as ultraviolet resistance for color retention. All products are tested in accordance with test specifications for coatings from ASTM and PCI.

Standard exterior colors are White (WH), Black (BK), Semi-Matte Black (BL), Bronze (BZ), and Silver (SV). Selux premium colors (SP) are available, please specify from your Selux color selection guide. Hot Dip Galvanized finish (GV) on all steel parts also available.

5 Year Limited LED Luminaire Warranty - Selux offers a 5 Year Limited Warranty to the original purchaser that the OLIVIO LED luminaire shall be free from defects in material and workmanship for up to five (5) years from date of shipment. This limited warranty covers the LED driver and LED Light engine when installed and operated according to Selux instructions. For details, see "Selux Terms and Condition of Sale."

Listings and Ratings: Luminaire and LED tested to IP67 and IESNA LM-79-08 standards. LED tested to LM-80 standards. Luminaire and LED tested at 25°C ambient temperature.

OLIVIO LED suitable for ambient temperatures of 40°C (104°F). Minimum operating temperature of luminaire at -40°C (-40°F).

NRTL Listed for wet location (i.e. UL, CSA)

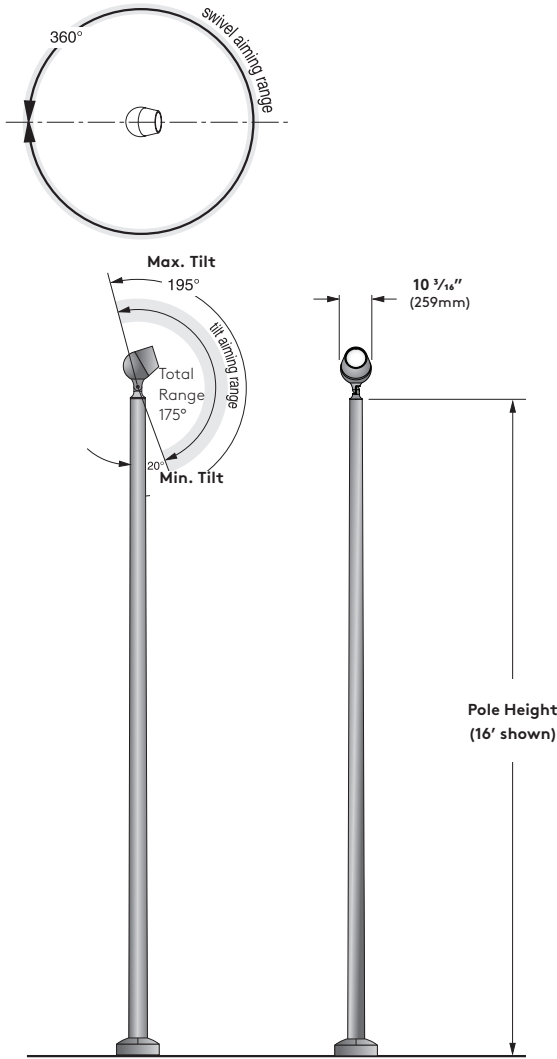
Visit selux.us for our LED End of Life recycling policy.

Olivio Grande LED Universal

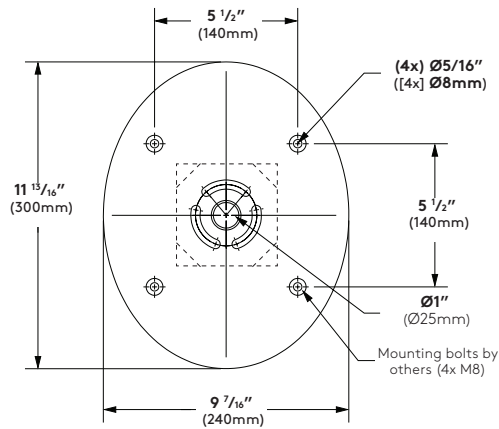
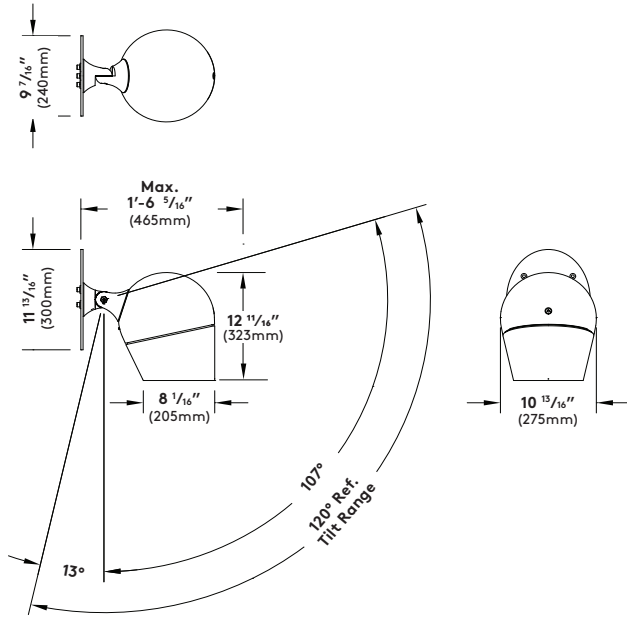


Mounting

Single Pole Top (T1)
EPA = 0.7 ft² (0.065 m²)
Weight = 17 lbs. (7.7 kg)



Universal Surface Mounting (U)



Note: Wall plate is mounted to surface structure and over junction box (by others)

Olivio Grande LED Universal

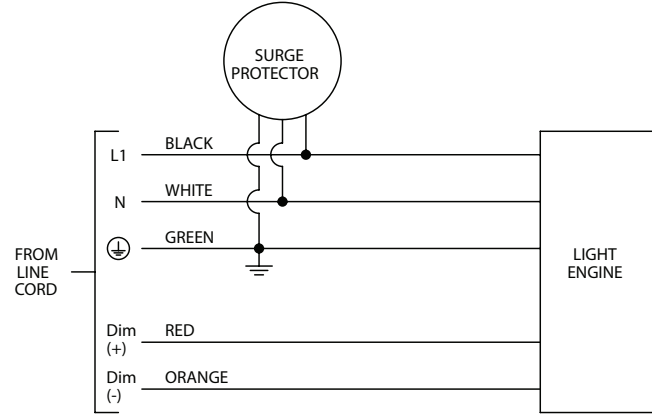
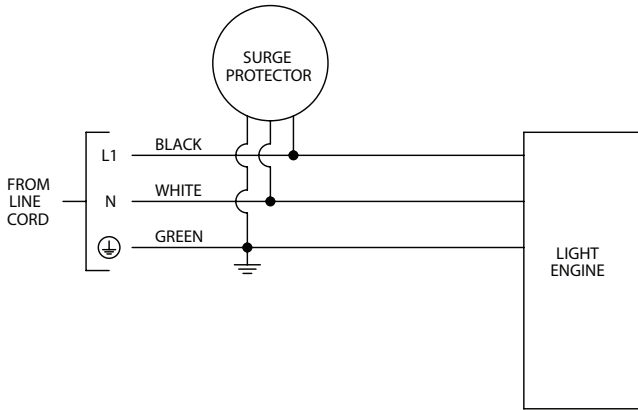
selux

Wiring

Standard Single Wiring

0-10V Dimming Option (DM) Wiring

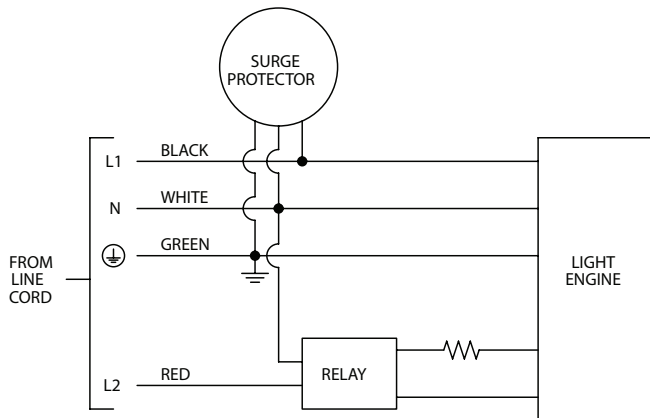
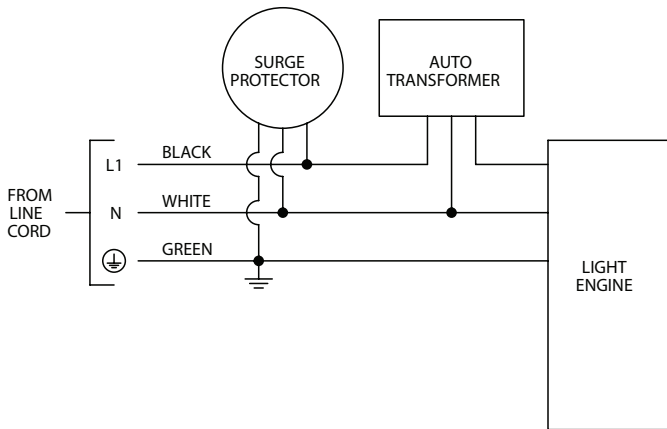
120-277V. 347V available with step-down transformer.



347V

Hi-Lo Switching Option (HL) Wiring

120V, 240V, 277V. When red is energized, light output will be at "Lo" level. Low output is 50%

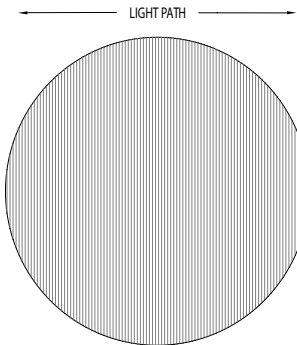


Olivio Piccolo LED Universal

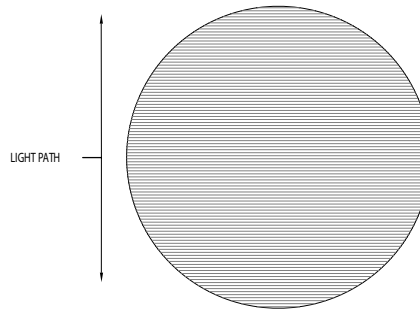


Optional Accessories

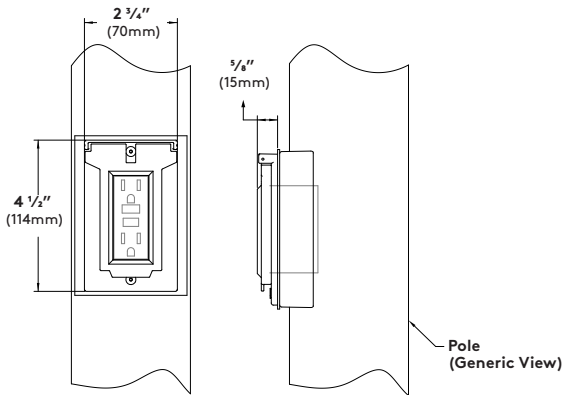
Horizontal Spread Lens (SLH) - Spread lens for horizontal light distribution. Replaces clear lens and intended to be used with reflectors for S09, F40 or F80 distribution. Preset and fixed at factory.



Vertical Spread Lens (SLV) - Spread lens for vertical light distribution. Replaces clear lens and intended to be used with reflectors for S09, F40 or F80 distribution. Preset and fixed at factory.

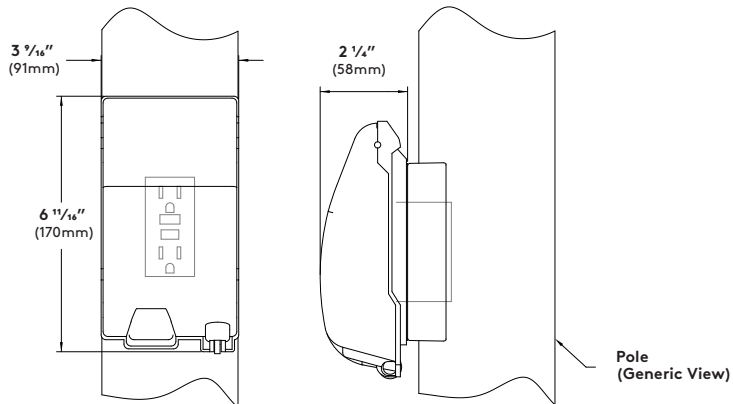


REC and REC3



Cover shown in the closed position

REC2 and REC4



Cover shown in the closed position

GFCI Receptacle (REC) - 120V 15A GFCI duplex receptacle with weatherproof, self-closing cover; located 36" (915mm) o.c. from base of pole, in-line with hand hole. Receptacle is intended only for portable tools or other portable equipment to be connected to outlet only when attended by operating personnel (120V only).

GFCI Receptacle (REC2) - 120V 15A GFCI duplex receptacle with weatherproof, self-closing, padlockable in-use cover; located 36" (915mm) o.c. from base of pole, in-line with hand hole. Receptacle is intended only for portable tools or other portable equipment to be connected to outlet only when attended by operating personnel (120V only).

USB & Duplex Receptacle (REC3) (not shown) - 120V 20A duplex receptacle with USB combination ports. (1) type A and (1) type C high power 5A, 5V USB outlets. With weatherproof, self-closing cover; located 36" (915mm) o.c. from base of pole, in-line with hand hole. Receptacle is intended only for portable tools or other portable equipment to be connected to outlet only when attended by operating personnel.

USB & Duplex Receptacle (REC4) (not shown) - 120V 20A duplex receptacle with USB combination ports. (1) type A and (1) type C high power 5A, 5V USB outlets. With weatherproof, self-closing padlockable in-use cover; located 36" (915mm) o.c. from base of pole, in-line with hand hole. Receptacle is intended only for portable tools or other portable equipment to be connected to outlet only when attended by operating personnel.

REC3 does not incorporate GFCI (Ground Fault Circuit Interrupter) protection, and shall be powered by a GFCI protected branch circuit (by others).

REC4 does not incorporate GFCI (Ground Fault Circuit Interrupter) protection, and shall be powered by a GFCI protected branch circuit (by others).

Olivio Grande LED Universal



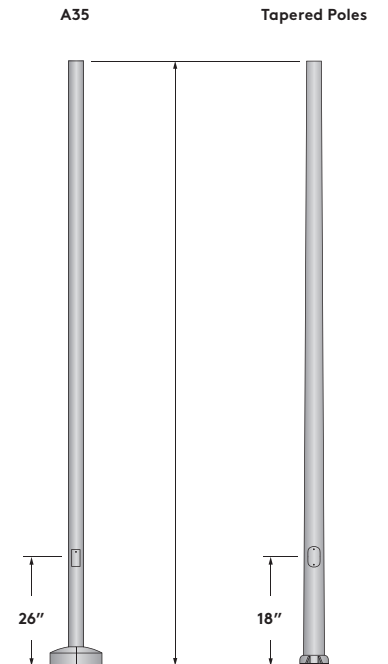
Pole Data Chart

Pole Series	Wall	EPA Information (ft²)				Height	Finish	Options
		80mph	90mph	100mph	110mph			
O-A35 3 1/2" Round Straight Aluminum Pole	0.197	7.3	5.4	4.0	3.1	12 12 ft.	WH White	BC1 Decorative Cast Aluminum Base Cover (for A35 & S35 poles only)
O-AT535 5" to 3 1/2" Tapered Aluminum Pole	0.156	14.4	10.9	8.6	6.9		BK Black	
O-A35 3 1/2" Round Straight Aluminum Pole	0.197	5.8	4.2	3.0	2.2	14 14 ft.	BZ Bronze	BC3 Die-cast Two-piece Alum. Decorative Base cover
O-AT535 5" to 3 1/2" Tapered Aluminum Pole	0.156	9.4	7.1	5.5	4.4		SV Silver	BC5 Die-cast Two-piece Alum. Decorative Base cover
O-AT535 5" to 3 1/2" Tapered Aluminum Pole	0.156	7.7	5.6	4.2	3.3	16 16 ft.	SP Specify Premium Color	BC9 Die-cast Base cover (for AT635 poles only)
O-AT535 5" to 3 1/2" Tapered Aluminum Pole	0.188	7.8	5.6	4.2	3.2			REC GFCI Receptacle with weatherproof cover¹
O-AT535 5" to 3 1/2" Tapered Aluminum Pole	0.188	6.4	4.5	3.2	2.4	20 20 ft.		REC2 GFCI Receptacle with padlockable in-use cover¹
O-AT635 6" to 3 1/2" Tapered Aluminum Pole	0.188	7.0	4.8	3.4	2.6			REC3 USB & Duplex Receptacle w/ weather-proof cover
						25 25 ft.		REC4 USB & Duplex Receptacle with weatherproof padlockable in-use cover
								T1 Single Pole Top

EPA Calculations allow for 1.3 Gust Factor

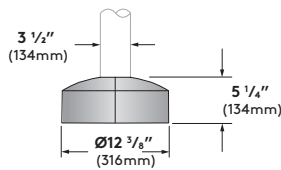
See Mounting Page for fixture w/arm EPA values

Pole Information

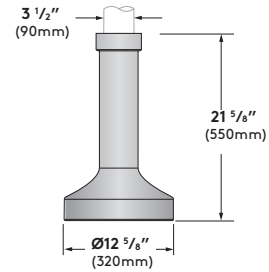


Base Cover Information

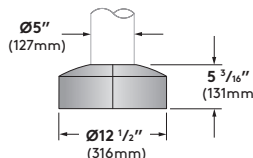
Straight Poles (O-A35) BC5 Standard Base Cover
Two-piece die cast aluminum



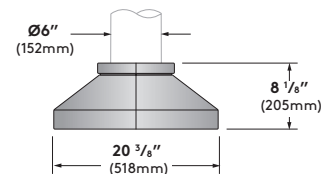
BC1 Optional Base Cover Available for: O-A35-197
One-piece die cast aluminum



BC3 - Available for: O-AT535-156 O-AT535-188



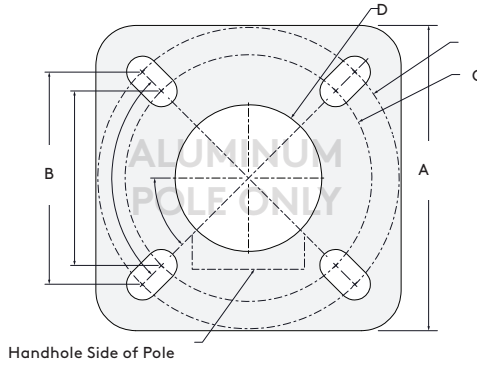
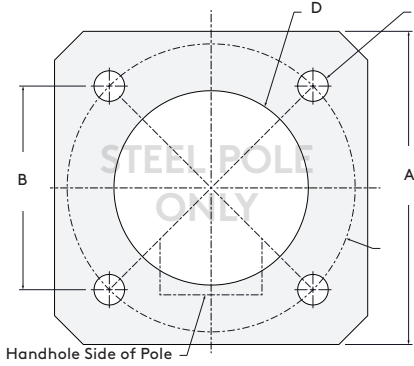
BC9 - Available for: O-AT64-156 O-ST5936-11



Olivio Grande LED

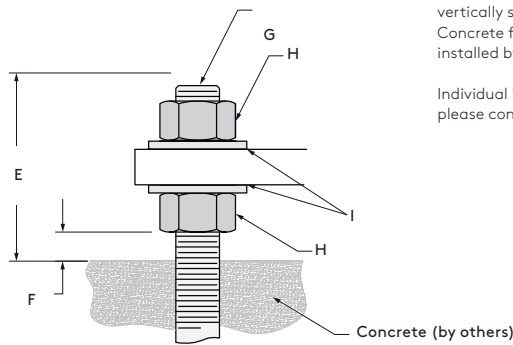


Mounting Plate Detail



Mounting Plate Details	A Base Plate SQ	B Base Plate SQ	C Base Circle Ø	D Conduit Opening Ø
O-A35-197 3.5" Round Straight Alum Pole	8" (203mm)	5 1/2" (139mm)	7 3/4" (197mm)	3" (76mm)
O-AT535-156 5" to 3.5" Round Tapered Alum Pole	9 5/8" (244mm)	6 1/8" (155mm)	8 5/8" (219mm)	4 5/8" (117mm)
O-AT535-188 5" to 3.5" Round Tapered Alum Pole	9 5/8" (244mm)	6 1/8" (155mm)	8 5/8" (219mm)	4 5/8" (117mm)
O-AT635-188 6" to 3.5" Round Tapered Alum Pole	10 5/16" (262mm)	6 11/16" (171mm)	9 1/2" (241mm)	5 1/2" (140mm)

Anchor Bolt Detail



Use caution when setting anchor bolts. Bolts must be vertically straight and centered on dimension shown. Concrete footing and feed conduit to be designed and installed by others.

Individual 1:1 scale drawings for installation available, please consult factory.

All Hardware is Galvanized

Anchor Bolt Details	E Bolt Projection	F For Leveling	G Anchor Bolt	H Heavy Hex Nut	J Flat Washer
O-AT535-156 5" to 3.5" Round Tapered Alum Pole	3 1/4" (82mm)	1/2" (13mm)	3/4"-10 UNC x 17"	3/4"-10 UNC	3/4" ID
O-AT535-188 5" to 3.5" Round Tapered Alum Pole	3 1/4" (82mm)	1/2" (13mm)	3/4"-10 UNC x 17"	3/4"-10 UNC	3/4" ID
O-AT635-188 6"-3.5" Round Tapered Alum Pole	3 1/2" (89mm)	1/2" (13mm)	3/4"-10 UNC x 17"	3/4"-10 UNC	3/4" ID
O-A35-197 3.5" Round Straight Alum Pole	3 1/2" (89mm)	1/2" (13mm)	3/4"-10 UNC x 17"	3/4"-10 UNC	3/4" ID

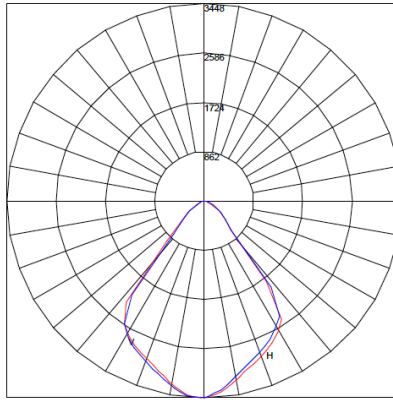
Olivio Grande LED



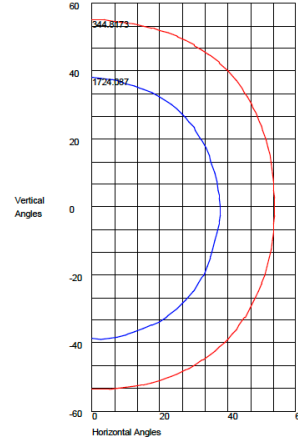
Photometry

F80 / 52W LED / 3000K CCT

Catalog #: OLGL-F80-X-2G130-30
Delivered Lumens: 4905
Input Watts: 52W
Maximum candela of 3448.1
Maximum candela angle: 0H-0V
NEMA Classification: 6H x 6V
Power Factor: 0.993



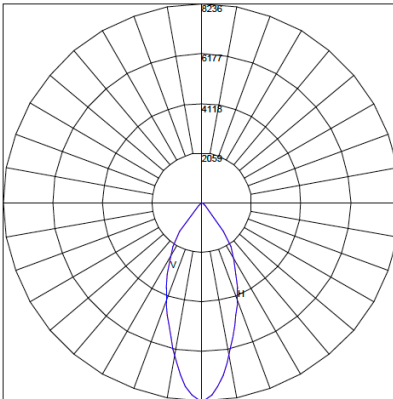
Maximum Candela = 3448.173 Located At Horizontal Angle = 0, Vertical Angle = 0
H - Horizontal Axial Candela
V - Vertical Axial Candela



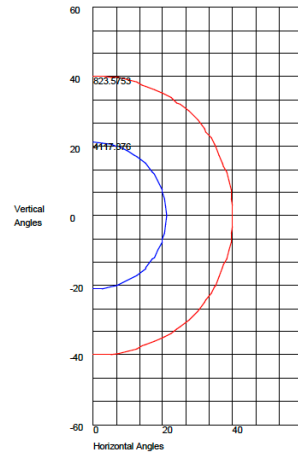
Maximum Candela = 3448.173 Located At Horizontal Angle = 0, Vertical Angle = 0
50% Maximum Candela = 1724.0665
10% Maximum Candela = 344.8173

F40 / 52W LED / 3000K CCT

Catalog #: OLGL-F40-X-2G130-30
Delivered Lumens: 5052
Input Watts: 52W
Maximum candela of 8235.7
Maximum candela angle: 0H x 0V
NEMA Classification: 5H x 5V
Power Factor: 0.993



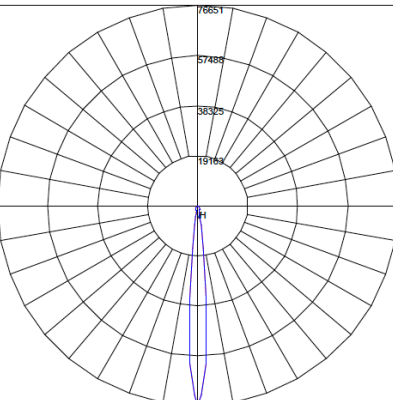
Maximum Candela = 8235.753 Located At Horizontal Angle = 0, Vertical Angle = 0
H - Horizontal Axial Candela
V - Vertical Axial Candela



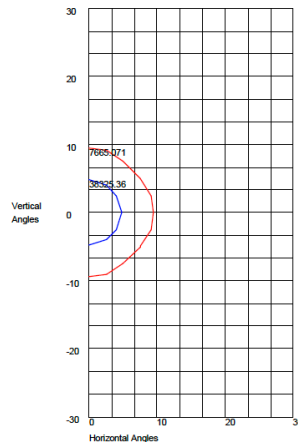
Maximum Candela = 8235.753 Located At Horizontal Angle = 0, Vertical Angle = 0
50% Maximum Candela = 4117.8765
10% Maximum Candela = 823.5753

S09 / 52W LED / 3000K CCT

Catalog #: OLGL-S09-X-2G130-30
Delivered Lumens: 5071
Input Watts: 52W
Maximum candela of 7665.071
Maximum candela angle: 0H x 0V
NEMA Classification: 1H x 1V
Power Factor: 0.993



Maximum Candela = 7665.071 Located At Horizontal Angle = 0, Vertical Angle = 0
H - Horizontal Axial Candela
V - Vertical Axial Candela



Maximum Candela = 7665.071 Located At Horizontal Angle = 0, Vertical Angle = 0
50% Maximum Candela = 3832.5355
10% Maximum Candela = 766.50712

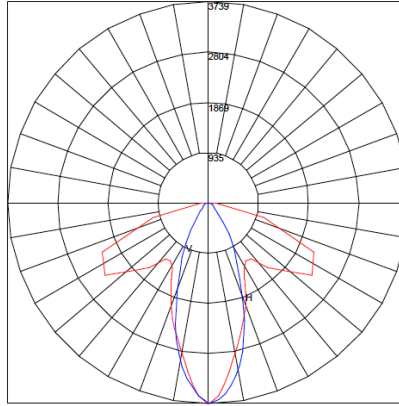
Olivio Grande LED



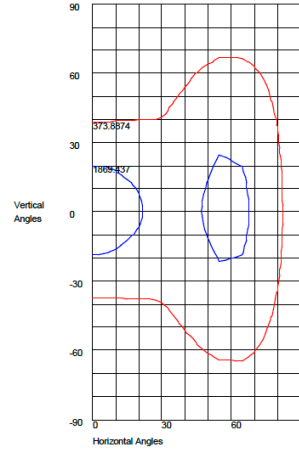
Photometry

ASM / 52W LED / 3000K CCT

Catalog #: OLGL-ASM-X-2G130-30
Delivered Lumens: 4574
Input Watts: 52W
Maximum candela of 3738.8
Maximum candela angle: 0H x 0V
NEMA Classification: 7H x 5V
Power Factor: 0.993



Maximum Candela = 3738.874 Located At Horizontal Angle = 0, Vertical Angle = 0
H - Horizontal Axial Candela
V - Vertical Axial Candela

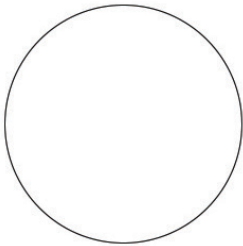


Maximum Candela = 3738.874 Located At Horizontal Angle = 0, Vertical Angle = 0
50% Maximum Candela = 1869.437
10% Maximum Candela = 373.8874

Finish Options

All colors are polyester powder coat paint. Custom color or RAL color available by request that meet AAMA 2604 standard.

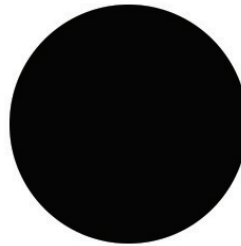
WH - White



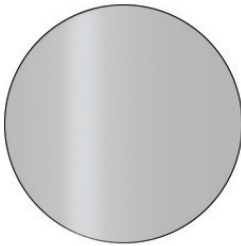
BK - Black



BL - Semi Matte Black



SV - Silver



BZ - Bronze

