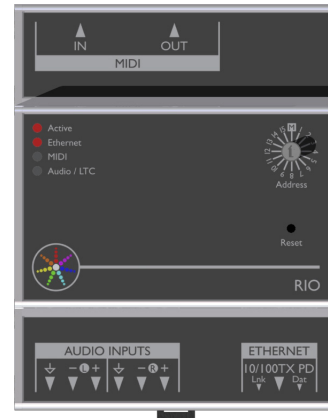


Overview

The Pharos RIO A (Remote Input Output Audio) device provides a convenient and scalable way to add audio integration to your Pharos system. The RIO A has an audio input, supporting linear timecode or up to 30 band spectrum analysis, as well as a MIDI input and output. Each device can be placed where it is needed and connected to the Controllers over an Ethernet network.



Features



Pharos Trigger

Timing is everything. Whatever the stimulus, Pharos Trigger can handle it. You can control your lighting with responsive, reactive programming. Pharos Trigger is a rules engine that uses conditional logic and a broad range of interfaces and protocols. Send and receive any command, to and from any system. Conditional logic is supported, along with a powerful built-in scripting language for unlimited flexibility.



Audio Response

The stereo balanced line level audio input supports auto or manual gain (adjustable in software). The spectrum analysis is configurable from 3 to 30 bands on each channel, and triggers can be set on the instantaneous or peak level of any band or the overall volume. Up to 4 simultaneous audio inputs are supported with multiple RIO A units.



Timecode

The audio input can also be configured to receive linear timecode on either channel. The format is auto-detected and supported formats are 24fps (film), 25fps (EBU), 29.97fps (NTSC) & 30fps (SMPTE). MIDI Time Code (MTC) can also be received via the MIDI Input. A software flywheel with error correction and jump support ensures smooth but responsive timecode playback. Up to 6 simultaneous Timecode inputs are supported with multiple RIO A units.

Scalable

Up to 200 Remote Devices can be combined with one or more Pharos Controllers on the same network to build the ideal system for your installation. Each Remote Device is easily addressed using a convenient thumb wheel. Whether one Controller or many, it's all easily programmed using our Designer software.

MIDI

Musical Instrument Digital Interface (MIDI) is a standard serial protocol commonly used to link musical instruments and synthesizers – but it is also used for show control and timecode. The RIO A provides both an input and output on standard 5-pin DIN connectors.

PoE Powered

As a Power-over-Ethernet (PoE) device, the RIO can be placed at any remote location and only needs a single Cat5 cable that provides both power and data.

Installer Friendly

Made for permanent installation, with installer-friendly 0.200" (5.08mm) plug-in rising clamp terminals, a rugged, compact enclosure, and easy DIN rail mounting.

Pharos Designer

Programmed and configured using the free Pharos Designer software – available for Windows or Mac OS X – with upload over Ethernet.

Network

Works with any Pharos Controller and links to it using standard protocols over an Ethernet network.

5 Year Warranty

Designed and manufactured in the UK, with quality and reliability our top priority.

Certifications

CE compliant, ETL/cETL listed, and California Title 20/24 compliant.





Capabilities

Audio In	Volume level and up to 30 band spectrum analysis per channel, including peak decay rate control and manual or automatic gain Maximum 4 audio inputs per system
Timecode	Timecode support via MIDI (MTC) or either audio channel (LTC) User configurable fly-wheel, error correction routines and jump support Maximum 6 Timecode inputs per system LTC format auto-detection with support for 24fps (film), 25fps (EBU), 29.97fps (NTSC) & 30fps (SMPTE)
MIDI	Input and Output of freely configurable Short messages (Notes), MIDI Show Control or Extended Messages using convenient message composer or MIDI Time Code (MTC) input

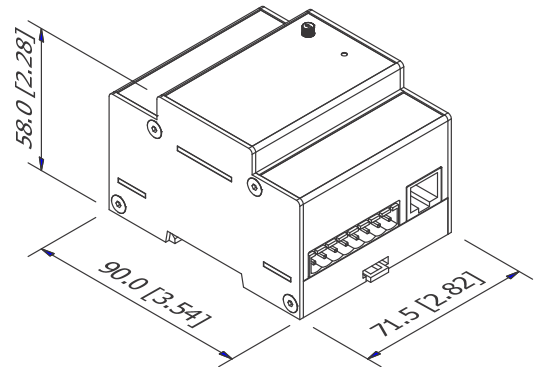
Interfaces

Ethernet	RJ45 socket for 10/100Base-TX Ethernet with Link/Data LEDs; Static IP or DHCP; Power-over-Ethernet (PoE)
Audio In	Stereo balanced line level (0dBV) *
MIDI In & Out	Standard 5-pin DIN

*Install-friendly 0.200" (5.08mm) plug in rising clamp connectors (included)

Specifications

Certifications	CE compliant, ETL/cETL listed
Power	PoE (IEEE802.3af, Class 1) 1.5W typical
Required	Any Pharos Controller
Addressing	By rotary selector switch
Temperature	0°C to 50°C (32°F to 122°F)
Humidity	10-50% relative, non-condensing
Ingress	IP40
Physical	4 unit wide DIN rail mounting enclosure (DIN43880 / EN60715 (35/7.5 rail)) 0.3 kg (0.7 lbs) 20 x 15 x 12 cm (8" x 6" x 5") 0.5 kg (1.1 lbs)
Shipping	
Recovery	Hardware watchdog and recessed reset button
Warranty	5 years



Order Code & Variants

RIO A	Remote Audio Input Device (Stereo Audio in, LTC, MIDI in and out)
--------------	---

Pharos Controller required