

	Project 21-12877-3 Date 6/25/2021 RGB/W Saturated Color	Catalog Number CCDS 6W 1R 12 RGB WH	Type
	Submitted By 16500, INC	Notes	



CIRRUS CEILING D1

DOWNLIGHT WITH REMOTE POWER RGB & RGB+WHITE

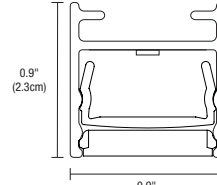


DESIGNED BY GREGORY KAY | ASSEMBLED IN AMERICA

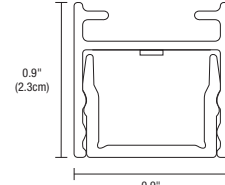
REV 08.10.20



CIRRUS CEILING D1 DOWNLIGHT
(ACTUAL SIZE)



CHANNEL WITH LOUVER
(ACTUAL SIZE)



CHANNEL WITHOUT LOUVER
(ACTUAL SIZE)

DESCRIPTION

Cirrus Ceiling D1 with Remote 24VDC Power Supply is a linear LED fixture that offers direct light in a clean, contemporary style. Available in increments from 12"-240" and several metal finish options. Available in RGB and RGB + White which provide dynamic color effects with red, green, blue and white at 2000k (if selected). Order the Cirrus Ceiling D1 with either a Diffused White Lens with a 100° Beam Spread or a Clear Frosted 60° Lens with a Black or White Louver for additional diffusion. Remote 24VDC power supplies are required and ordered separately. Fixture includes 5 year pro-rated warranty. For custom designs and quotes, email our design team: design@PureEdgeLighting.com.

Wattages for this fixture are available in the following options:

- 5W - 5 watts per foot up to 240" (20')
- 6W - 6.3 watts per foot up to 180" (15')

INSTALLATION

- 24VDC Class 2 Remote Power Supply feeding up to 100 watts at a maximum of 40' away
- Includes your choice of Canopy: 1" Rectangle Junction Box or 4.6" Square Canopy or T-Bar end feed
- Includes Mounting Clips (every 24")
- Power Supplies sold separately

FINISHES



Satin Black **BK** Antique Bronze **BZ** Chrome **CH** Satin Aluminum **SA** Satin Nickel **SN** White **WH**



Satin Brass with Black End Caps and Canopy **BB** Satin Brass with White End Caps and Canopy **BW**

LENSES

Diffused White 100° or Clear Frosted 60° Lens offered with Black or White Louvers

APPLICATIONS

Designed for indoor use only. Ideal applications include Architectural Lighting in Offices, Retail, Commercial, Healthcare and Educational environments.

LAMPING OPTIONS

- RGB: Dynamic Red, Green and Blue
- RGB+W: Dynamic Red, Green, Blue and White (2000K)
- 50,000 Hour Lamp Life

REMOTE POWER SUPPLIES*, DIMMERS & CONTROLS (SOLD SEPARATELY)

- Dynamic Color Changing (DMX)
- Controls: CDMX-1, CTP

*In-Wall Mounting Kits available for select power supplies

APPROVALS:

Class 2 Wiring up to 100 watts, Damp Location Suitable, ETL listed. Title 24 with Universal Power Supply, Made in America

System	Wattage Per Foot	Canopy	Nominal Size	Color Temperature	Finish
CCDS	5W	1R	120	RGB	SN
CCDS Cirrus Ceiling Diffused White 100° Lens CCCS Cirrus Ceiling Clear Frosted 60° Lens CCDW Cirrus Ceiling Diffused White Lens with White Louver CCDB Cirrus Ceiling Diffused White 100° Lens with Black Louver CCCW Cirrus Ceiling Clear Frosted Lens with White Louver CCCB Cirrus Ceiling Clear Frosted Lens with Black Louver	5W 5 Watts (240" max, 20') 6W 6.3 Watts (180" max, 15')	1R 1" Rectangle Canopy 4S 4.6" Square Split Canopy** TBA Clips with 2ft plenum power feed, use for 15/16" or 9/16" Wide T-Bar Flush mounted ceiling panels TBB Clips with 2ft plenum power feed, use for 15/16" or 9/16" wide T-Bar with ceiling panel 3/8" below grid TBE Clips with 2ft plenum power feed, use for 9/16" wide Slotted T-Bar	12-240 Order in various increments from 12"- 240" Maximum shipping length for Chrome is 84".	RGB Red, Green and Blue (5W only) RGB+W Red, Green, Blue & White (6W only)	BK Satin Black BZ Antique Bronze CH Chrome SA Satin Aluminum SN Satin Nickel WH White BB Satin Brass with Black End Caps and Canopy BW Satin Brass with White End Caps and Canopy

*See length chart for on pgs 3-5 for exact dimensions



CIRRUS CEILING D1
DOWNLIGHT WITH REMOTE POWER RGB & RGB+WHITE

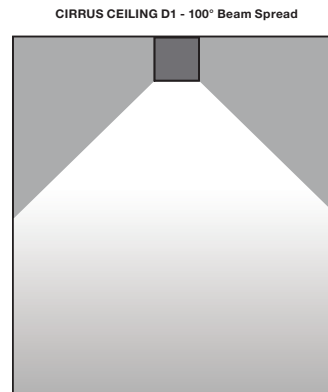
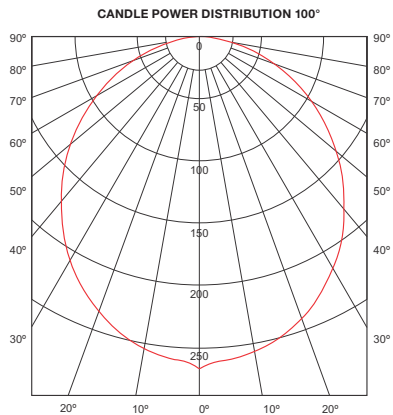
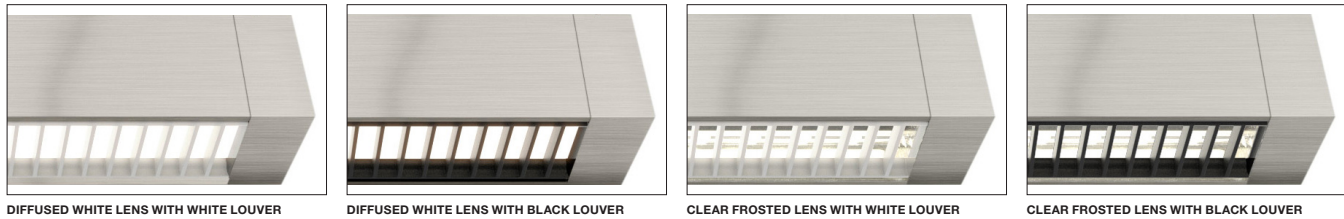
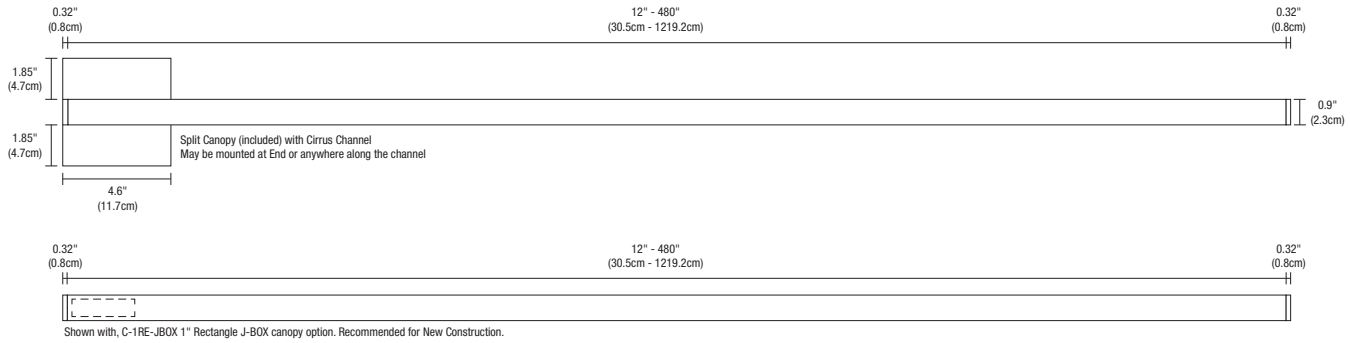


REV 08.10.20

5 WATTS PER FOOT - RGB LEDS			
LENGTH IN FEET	WATTS	LENGTH IN FEET	WATTS
1	5	10	50
2	10	11	55
3	15	12	60
4	20	13	65
5	25	14	70
6	30	15	75
7	35	16	80
8	40	17	85
9	45	18	90

6 WATTS PER FOOT - RGB+W LEDS			
LENGTH IN FEET	WATTS	LENGTH IN FEET	WATTS
1	6	5	30
2	12	6	36
3	18	7	42
4	24	8	48

DRAWINGS Canopy & Channel drawings for the Cirrus Ceiling D1



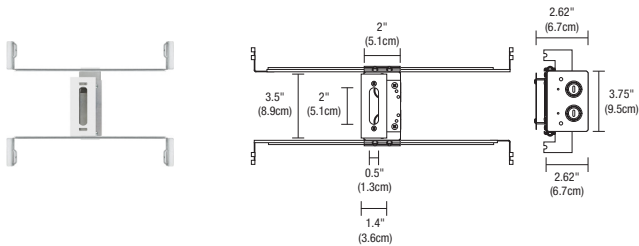


CIRRUS CEILING D1
 DOWNLIGHT WITH REMOTE POWER RGB & RGB+WHITE



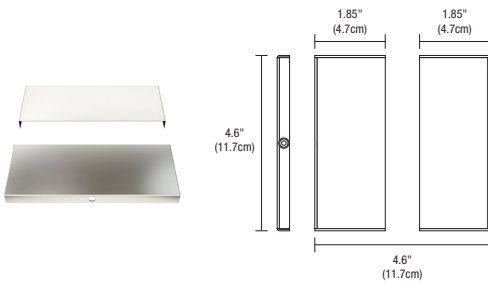
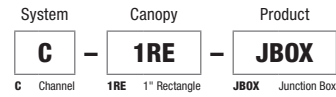
REV 08.10.20

COMPONENTS J-box, Split Canopies, & Mounting Clips are included and sold separately for replacement



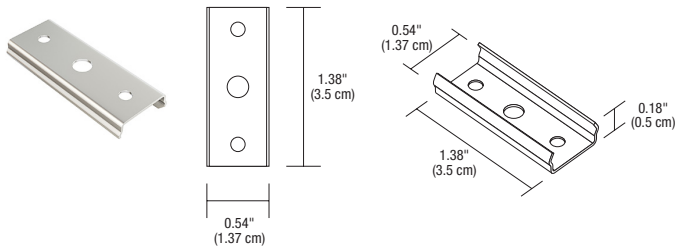
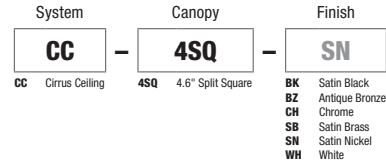
1" RECTANGLE CANOPY & J-BOX
 (INCLUDED WITH 1R SELECTED IN FIXTURE ORDERING CODE)

The Slim-Profile Junction Box with Hanger Bars mounts to studs spaced between 14.5" and 25" apart behind drywall. Allows low voltage DC wires from Remote Power Supply to connect to channel wires. The Junction Box opening is covered by the fixture for a clean, safe connection. Includes a Goof Plate, for poor plastering around J-box.



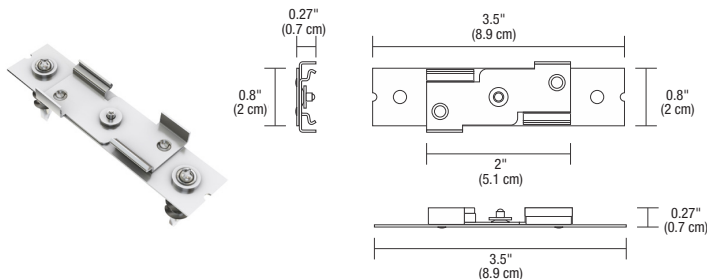
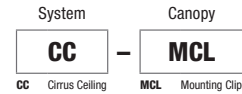
4" SQUARE SPLIT CANOPY
 (INCLUDED WITH 4S SELECTED IN FIXTURE ORDERING CODE)

The 4" Square Canopy fits on a standard 4" electrical box with round plaster ring. It fits flush along channel while covering Junction Box. The Canopy fits flush, may float anywhere along the channel and comes in six finishes.



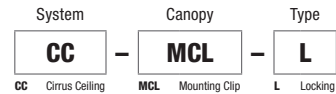
CEILING MOUNTING LOCKING CLIP
 (INCLUDED WITH ORDERING CODE CANOPY 1R OR 4S)

Ceiling Mounting spring clips are provided with every 2ft of Cirrus Ceiling Channel. The Clip snaps into the channel, staying securely fastened to the ceiling or wall.



CEILING MOUNTING LOCKING CLIP
 (ORDER SEPARATELY)

Ceiling Mounting Locking Clips may be ordered separately for extra support. The channel slides into the clip and locks in place staying securely fastened to the ceiling or to the wall.



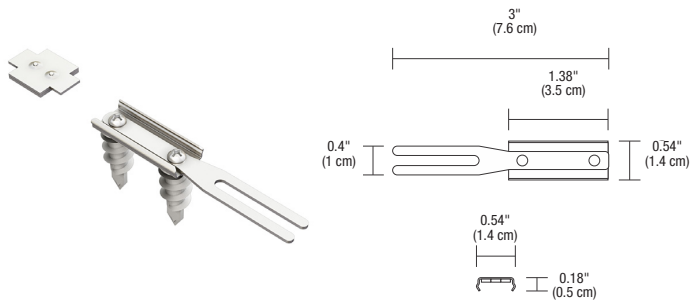


CIRRUS CEILING D1
 DOWNLIGHT WITH REMOTE POWER RGB & RGB+WHITE



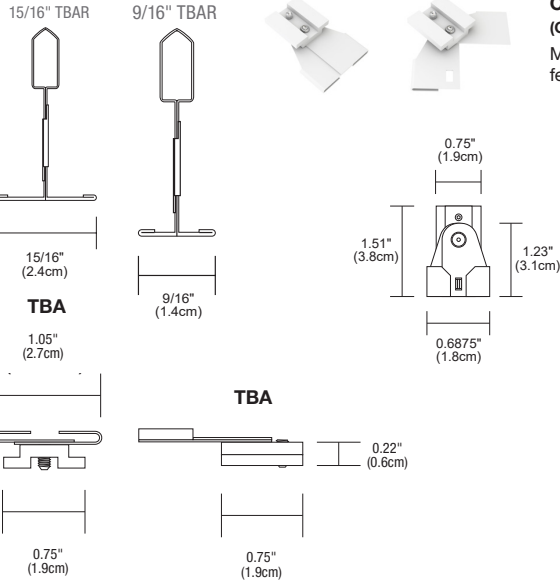
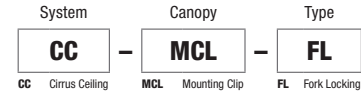
REV 08.10.20

COMPONENTS J-box, Split Canopies, & Mounting Clips are included and sold separately for replacement



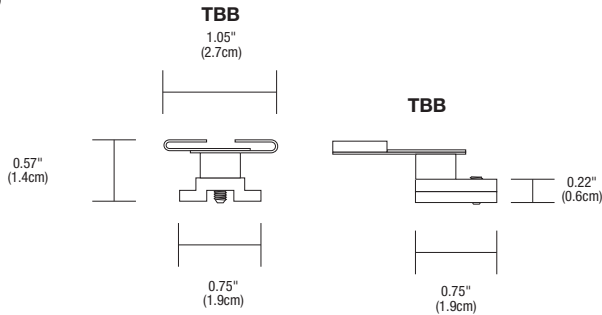
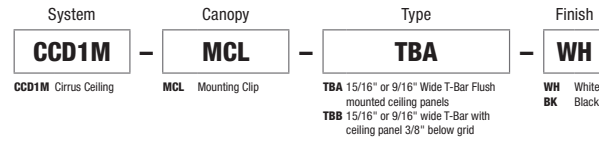
FORK LOCKING CLIP
 (ORDER SEPARATELY)

Fork locking clip for ceiling or wall Mounting. One locking Spring clip is provided with every Cirrus Channel. The channel slides into the Fork locking Clip keeping the fixture secure.

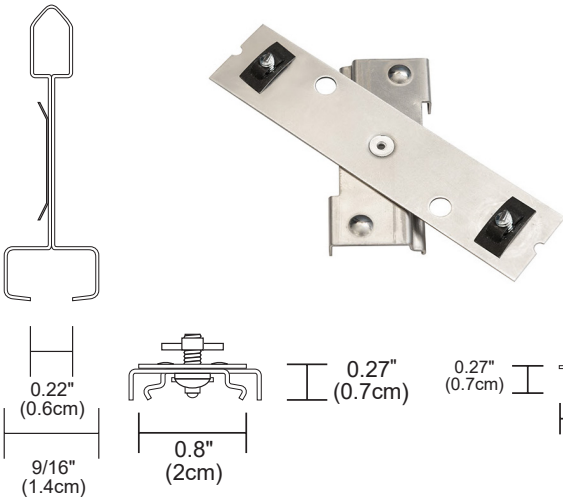


CEILING MOUNTING T-BAR CLIPS FOR 15/16"
 (ORDER SEPARATELY)

Mounts flush anywhere along the 15/16" or 9/16" T-Bar grid. Use one every two feet.

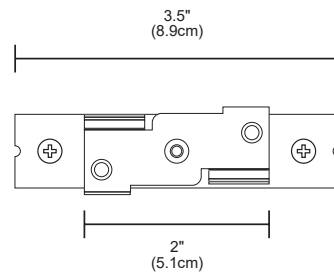
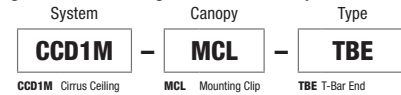


TBAR END



T-BAR END MOUNTING CLIP
 (ORDER SEPARATELY)

Mounts flush anywhere along the 9/16" T-Bar grid. Use one every two feet.



	Project 21-12877-3 Date 6/25/2021 RGB/W Saturated Color Submitted By 16500, INC	Catalog Number CCDS 6W 1R 12 RGB WH Notes	Type



INDOOR CONSTANT VOLTAGE REMOTE POWER SUPPLIES

24VDC WITH DMX DRIVER, RGB & RGB+W

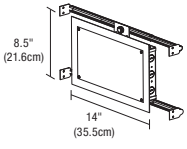


REV 08.10.20

DYNAMIC COLOR CHANGING (DMX) POWER SUPPLIES & RECOMMENDED CONTROLLERS				
ORDERING CODE	PSB-100W-24VDC-RGB	PSB-2X100W-24VDC-RGB	PSB-3X100W-24VDC-RGB	PSB-4X100W-24VDC-RGB
SPECIFICATIONS				
MAXIMUM LOAD	100W	2X100W	3X100W	4X100W
INPUT VOLTAGE	120-277VAC	120-277VAC	120-277VAC	120-277VAC
OUTPUT VOLTAGE	24VDC	24VDC	24VDC	24VDC
DIMENSIONS	12.14" X 6.48" X 2.18"	14" X 10" X 3"	17" X 13" X 3"	17" X 13" X 3"
CLASSIFICATION	CLASS 2	CLASS 2	CLASS 2	CLASS 2
IN-WALL MOUNTING	PSB-100W-24VDC-RGB-IW	N/A	N/A	N/A
DIMMING & CONTROLS				
TOUCH SCREEN CONTROLLER (CTP)	•	•	•	•
COLOR DIAL CONTROLLER (CDP)	•	•	•	•
DMX 1 ZONE RGBW TOUCH CONTROLLER (CDMX1-RGBW)	•	•	•	•

Classification: UL2108 - * 24VDC over 100 Watts, wires must be in conduit from Remote Power Supply to J-box.

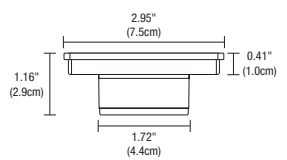
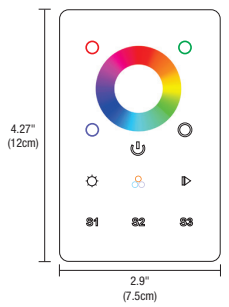
RECOMMENDED CONTROLLERS



8.5" X 14" IN-WALL MOUNTING KIT

Includes Power Supply, Box Cover, and Stud Hangers for installing Junction Box in wall. Select "IW" in the options section of compatible Power Supply ordering codes if an In-Wall Mounting Kit is needed.

ORDERING CODES: PSB-100W-24VDC-RGB-IW



Description:

Full touch controller offers fast and accurate color tone adjustment and independent brightness control. The 1 zone controller can adjust RGB and RGBW LEDs smoothly and accurately. Independent smooth dimming of each channel enables the controller to achieve millions of colors. For indoor applications only, and includes a Power Adapter to operate the controller.

Applications:

Indoor

Power Input:

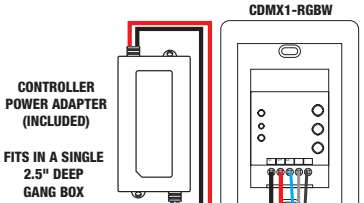
120-277VAC

Installation:

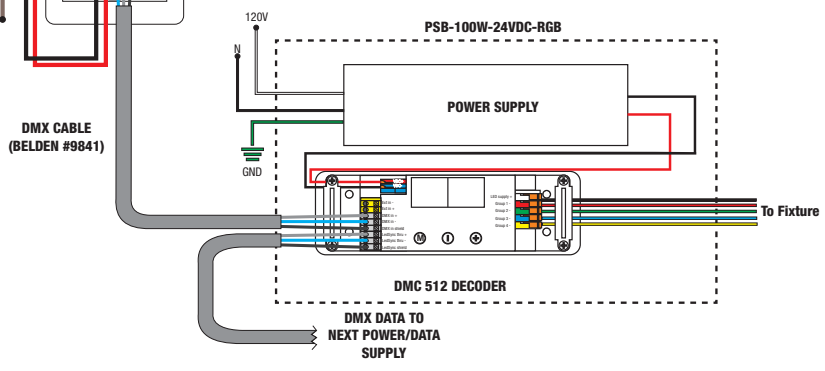
Fits in a single gang 2.5 inch deep junction box, not to be used with a multi gang box

Output Signal:

USITT DMX 512 (1990)



Product	Type	Finish
CDMX1	RGBW	WH
CDMX1 DMX 1 Zone Touch Controller	RGB Red, Green and Blue RGBW Red, Green, Blue and White	WH White

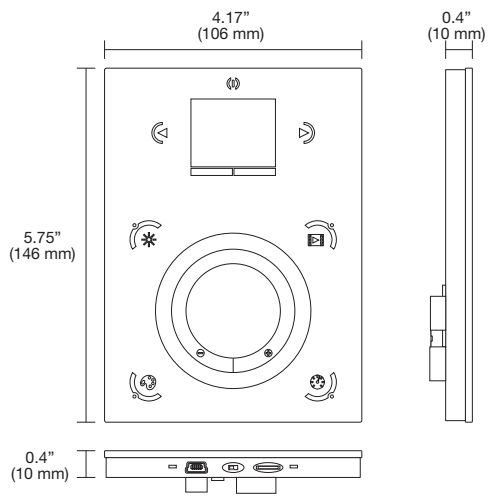
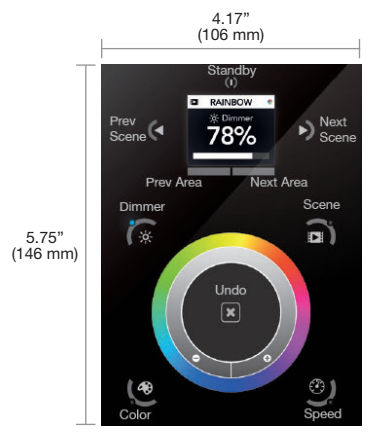




CTP
COLOR TOUCH SCREEN CONTROLLER WITH POWER ADAPTER



REV 08.10.20



DESCRIPTION

Full touch controller offers fast and accurate color tone adjustment and independent brightness control. The 10 zone controller can adjust RGB and RGBW LEDs smoothly and accurately. Independent smooth dimming of each channel enables the controller to achieve millions of colors. For indoor applications only, and includes a Power Adapter to operate the controller.

FEATURES AND BENEFITS

KEY FEATURES:

- Sleek glass design which sits 11mm from the wall
- Graphical color display to show selected environment
- Color/dimmer/speed palette
- Color temperature mixing
- Touch sensitive buttons. No mechanical parts
- Touch sensitive wheel allows for accurate color selection
- Multi-zone microSD memory
- Multi-room control with 500 scenes, 10 zones
- 1024 DMX channels. Control 340 RGB fixtures
- USB & Ethernet connectivity for programming and control
- RS232, Dry Contact Ports and an Infra Red input port
- Clock and calendar with Sunrise/Sunset triggering
- Network communication. Control lighting remotely
- Catalog of designs including black and white glass
- OEM customization of the color palette and logo
- Windows/Mac software to set dynamic colors/effects
- iPhone/iPad/Android remote and programming apps

APPLICATIONS

Indoor

POWER ADAPTER

9VDC 0.65A (included)

POWER INPUT

7VDC 0.6A

OUTPUT SIGNAL

DMX512 1,024 channels total

INPUT SIGNAL

Universal IR receiver (Sold Separately), RS232, Contact Closure, Live Computer Link, DMX512, WiFi

CONNECTIONS

USB, Ethernet, RS232, Clock, 8 dry contact ports, open drain output

MEMORY

microSD (32GB Max)

COMPUTER AND MOBILE DEVICE REQUIREMENTS

IPHONE/IPAD/ANDROID:

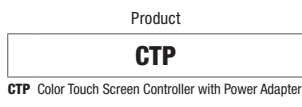
The controller may be used with any of the following apps: DMX Lightpad 3, Easy Remote and Arcolis may be downloaded from App Store or Google Play.

ESA PRO SOFTWARE (WINDOWS ONLY, TIMELINE AND MULTI-ZONE):

Windows ME, XP, Vista, 7 or 8 (32 bits and US 2.0, computer connection required for initial setup only.)

ESA2 SOFTWARE (WINDOWS/MAC, SINGLE ZONE):

Windows ME, XP, Vista, 7 or 8
Mac OS X 10.7 (Lion), 10.8 (Mountain lion), 10.9 (Mavericks), 10.10 (Yosemite)





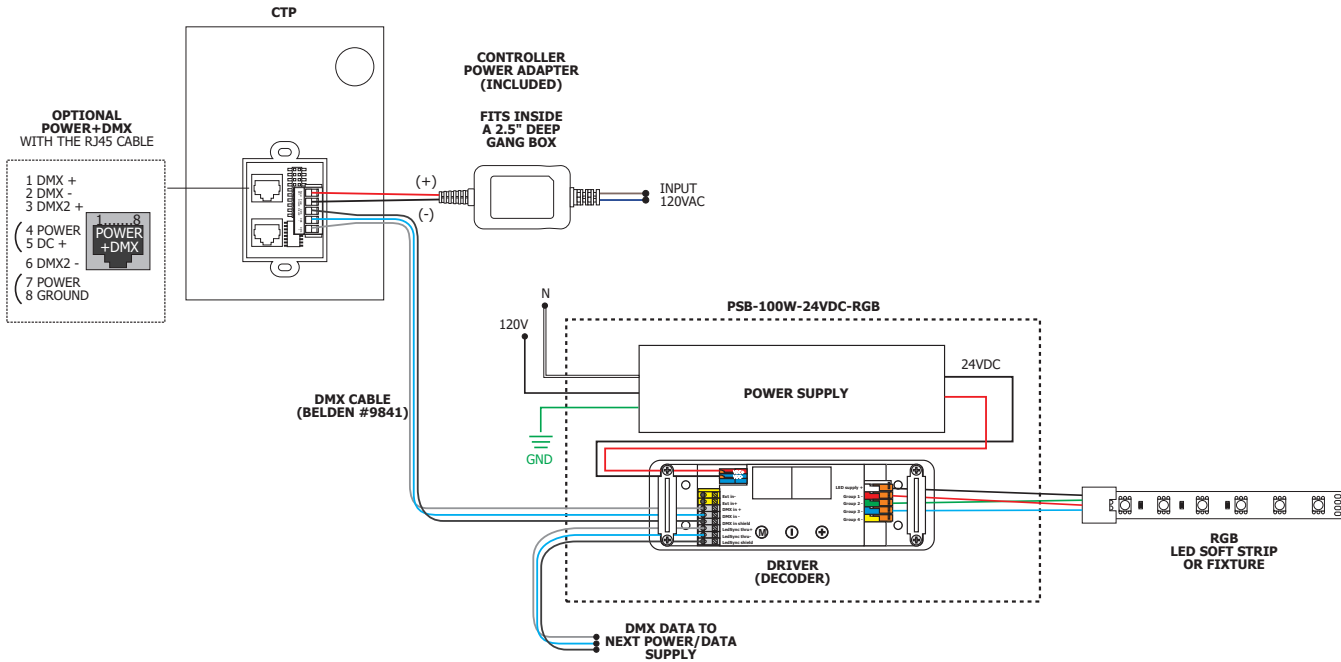
CTP

COLOR TOUCH SCREEN CONTROLLER WITH POWER ADAPTER



REV 08.10.20

RGB Wiring Diagram



RGBW Wiring Diagram

