

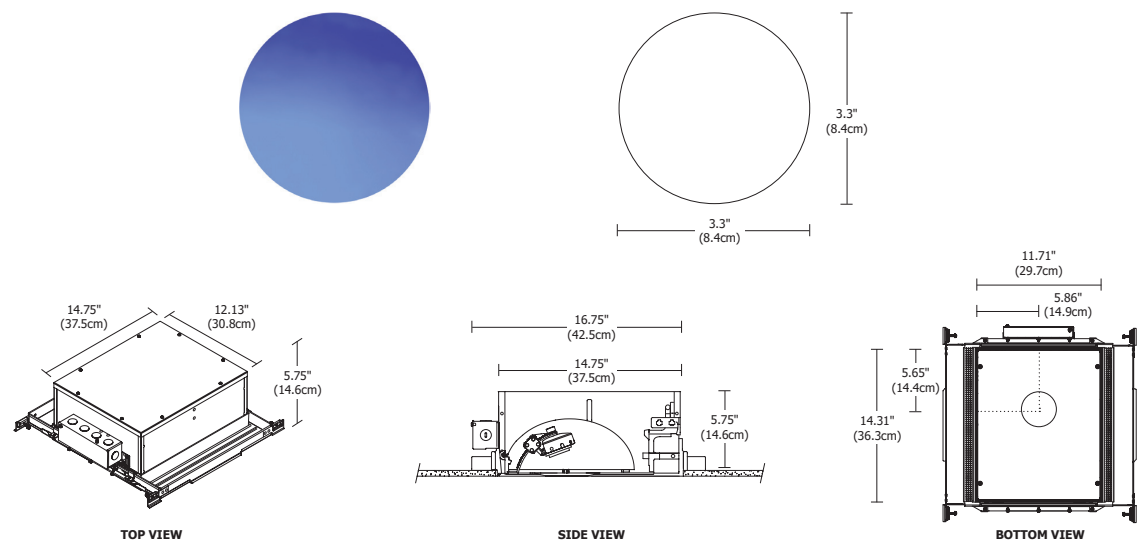
	Project 21-12877-3 Date 6/25/2021 RGB/W Saturated Color Submitted By 16500, INC	Catalog Number AL3 ARE3 RGB Notes	Type
--	--	---	------

Aurora LED Accent Round Edge RGB 3.3" aperture

AL3-ARE3-RGB



Protected by Patent Numbers 7,476,008, 6,788,011 and 6,888,322.



Description: Specification grade, recessed, trimless, adjustable accent fixture for plaster or drywall construction. Uplighting with RGB (red, green, blue) LEDs within the Aurora Dome creates color at the ceiling plane while an LED white light projects downward controlled by DMX. Use only LED retrofit lamps designed for use in enclosed fixtures, compatible lamps sold separately. Compatible lamps have 10, 15, 25, or 36 degree beam spread options available. Hot-aiming with #2 Phillips screwdriver offers 0 - 45 degree vertical adjustment and 362 degree horizontal rotation without beam clipping. The .04 inch thick die formed aluminum housing includes 12V, 15W ELV Transformer for MR16 LED (230V and 277V versions available). The Snoot secures lamp to the Pan Tilt Mechanism for easy relamping. Fixture weight is 23.5lbs (10.65kg). Coordinate installation with electrician and drywall contractors.

Applications: Indoor damp or dry locations only. Accent lighting in residential and commercial applications, such as hallways.

Included Components: Dome, Housing, Plaster Plate, Transformer, Aurora Gear Cover, DMX Power Data Supply, RGB LEDs, Mounting Hardware, Junction Box, Pan Tilt Mechanism, and Snoot.

Dimming & Controls: Sold Separately. Electronic Low Voltage Dimming (ELV) Dimmers.

Additional Components: Sold Separately. Compatible Lamp.

AURORA LED ROUND 3.3" RGB ORDERING CODE

120V Electronic

Collection IC Housing	Function Plaster Plate	LED
AL3	ARE3	RGB
AL3 Aurora LED #3 Housing	ARE3 Accent Round Edge 3.3" Aperture	RGB Red Green Blue

230V Electronic

Collection IC Housing - Voltage	Function Plaster Plate	LED
AL3 - 2 - ARE3 - RGB		
AL3 Aurora LED #3 Housing	2 230V 50/60 HZ 3 277V 50/60 HZ	ARE3 Accent Round Edge 3.3" Aperture RGB Red Green Blue

A Division of PureEdge Lighting 1718 W. Fullerton Chicago, IL 60614 • Ph: 773.770.1196 • Fax: 773.883.6128 • www.purelighting.com



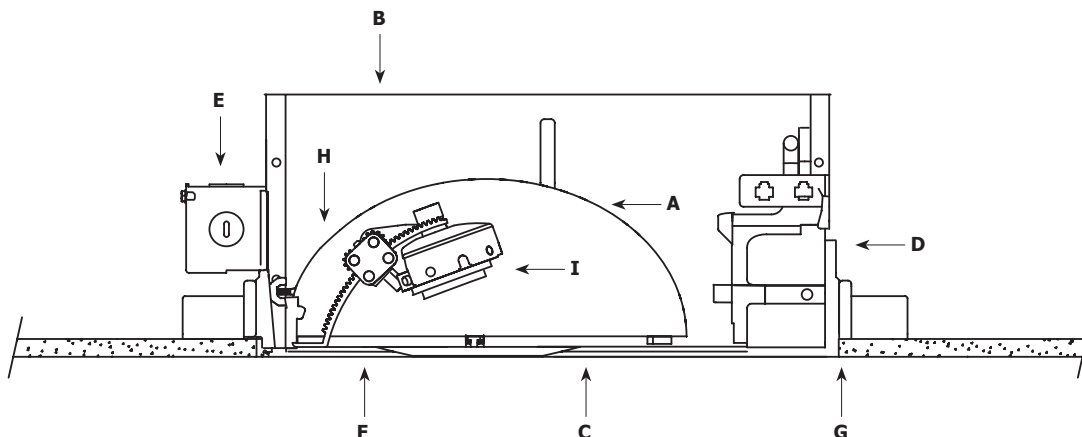
Aurora LED Accent Round Edge RGB 3.3" aperture

AL3-ARE3-RGB



Protected by Patent Numbers 7,476,008, 6,788,011 and 6,888,322.

INCLUDED COMPONENTS



A. Dome: Highly reflective white painted finish blends the colors of RGB LEDs. Hides electrical hardware and tilts for easy access to junction box and transformer.

B. Housing: .04 inch (1mm) thick die formed aluminum. Includes 12V 15W electronic low voltage transformer for MR16 LED. Includes LED driver (PDS). IC and air-tight, suitable for remodel or new construction. Top is removable for servicing. Housing may also be serviced from below.

C. Plaster Plate: 14 3/4 inch (375mm) x 12 1/8 inch (307mm) x 1/8 inch (3mm) aluminum plaster plate, primed and mounted flush with ceiling. Apply Durabond®* ceiling compound at the perimeter of the housing. Use the supplied ultra-thin FibaTape®**. This prevents chipping and cracking at the trim aperture, which is common with other trimless fixtures.

D. Transformer: 120VAC (standard), 230VAC, or 277VAC input, 12VAC 15W MAX output.

E. DMX Power Data Supply: LED driver/power data supply (PDS) and RGB LED modules are integral and serviceable through the aperture. RGB LEDs may be programmed as desired using a DMX signal. Compatible with Pure Lighting CDP and CTP controllers.

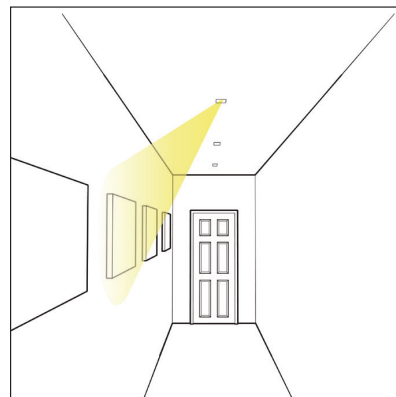
F. RGB LEDs: RGB high output LEDs are included. White MR16 LED 7W-9W 12VAC, equivalent to 50W or 65W halogen, is sold separately. 10, 15, 25, or 36 degree beam spread options. Only use LED retrofit lamps designed for use in enclosed fixtures. See www.purelighting.com for a list of recommended lamps.

G. Mounting Hardware: Self leveling u-shape telescoping hanger bars extend to allow mounting between studs 13 1/4 inch - 24 inch (336-609mm) O.C. Mounting is suitable for new and remodel commercial or residential drywall construction. Designed to accommodate ceiling thickness from 1/2 inch (13mm) to 1 1/4 inches (32mm). Notch and label marking for laser alignment.

H. Pan Tilt Mechanism: Hot aiming with Philips screwdriver offers 0 to 45 degrees vertical adjustment and 362 degree horizontal rotation without beam clipping (see lamp chart). Precision machined gear adjustment is concealed behind the lamp. Features self locking tilt and manual locking horizontal rotation.

I. Snoot: Machined aluminum snoot controls internal spill light. The snoot secures the lamp to the Pan Tilt Mechanism and allows for easy relamping.

DIRECTION OF LIGHT
7.7 watt, 3000K



*Durabond® brand is a trademark of USG Corporation.
**FibaTape® brand is a trademark of Saint-Gobain ADFORS.

A Division of PureEdge Lighting 1718 W. Fullerton Chicago, IL 60614 • Ph: 773.770.1196 • Fax: 773.883.6128 • www.purelighting.com



LED LAMP COMPARISON CHART



MR16 GU5.3 LED LAMPS FOR USE WITH AURORA FIXTURES

2700K COLOR TEMPERATURE									
BRAND	ORDERING CODE	CRI	LAMP LIFE (HOURS)	CBCP	TOTAL LUMENS	LUMENS PER WATT	BEAM ANGLE (DEGREES)	CERTIFICATION	HALOGEN EQUIVALENT
	SM16-07-10D-927-03	95	35,000	5710	390	52	10	UL/CUL ROHS CE	50W
	SM16-09-25D-927-03	95	35,000	2570	465	52	25	UL/CUL ROHS CE	60W
	SM16-09-36D-927-03	95	35,000	1210	465	52	36	UL/CUL ROHS CE	60W
	LED712VMR16927KNFL	92	25,000	2802	425	61	20	UL/CUL ENERGY STAR	50W
	LED712VMR16927KFL	92	25,000	898	425	61	40	UL/CUL ENERGY STAR	50W
	7.5MR16G4DIM/927NF25	92	25,000	2600	485	63	25	UL/CUL	75W
	7.5MR16G4DIM/927FL36	92	25,000	1400	485	63	36	UL/CUL	75W

3000K COLOR TEMPERATURE									
BRAND	ORDERING CODE	CRI	LAMP LIFE (HOURS)	CBCP	TOTAL LUMENS	LUMENS PER WATT	BEAM ANGLE (DEGREES)	CERTIFICATION	HALOGEN EQUIVALENT
	SM16-07-10D-930-03	95	35,000	6000	410	55	10	UL/CUL ROHS CE	50W
	SM16-09-25D-930-03	95	35,000	2700	490	54	25	UL/CUL ROHS CE	60W
	SM16-09-36D-930-03	95	35,000	1280	490	54	36	UL/CUL ROHS CE	60W
	LED712VMR16930KNFL	92	25,000	2802	425	61	20	UL/CUL ENERGY STAR	50W
	LED712VMR16930KFL	92	25,000	898	425	61	40	UL/CUL ENERGY STAR	50W
	7.5MR16G4DIM/930SP15	92	25,000	5500	430	57	15	UL/CUL	75W
	7.5MR16G4DIM/930NF25	92	25,000	2600	505	66	25	UL/CUL	75W
	7.5MR16G4DIM/930FL36	92	25,000	1400	505	66	36	UL/CUL	75W

4100K COLOR TEMPERATURE									
BRAND	ORDERING CODE	CRI	LAMP LIFE (HOURS)	CBCP	TOTAL LUMENS	LUMENS PER WATT	BEAM ANGLE (DEGREES)	CERTIFICATION	HALOGEN EQUIVALENT
	LED712VMR16941KNFL	92	25,000	2802	446	64	20	UL/CUL ENERGY STAR	50W
	LED712VMR16941KFL	92	25,000	898	446	64	10	UL/CUL ENERGY STAR	50W