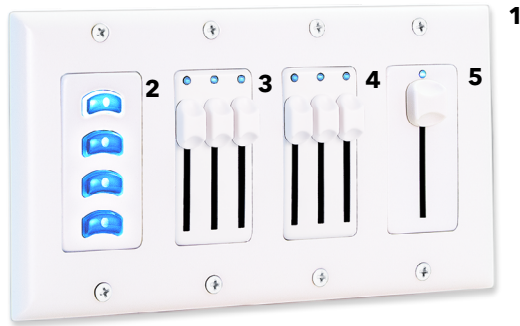


# VIGNETTE 485 WALL STATION INSERTS



- Models shown:
1. PWFP G4 WH
  2. PWWSI VPOE B4 WH
  3. PWWSI LOC S3 WH
  4. PWWSI LOC S3 WH
  5. PWWSI LOC S1 WH

## WARRANTY

3-year limited warranty. Complete warranty terms located at: <https://www.acuitybrands.com/support/warranty>

## NOTE

Actual performance may differ as a result of end-user environment and application. Specifications subject to change without notice.

## ORDERING INFORMATION

| INDIVIDUAL WALL STATION INSERTS - PWWSI |  |                   |                            | EXAMPLE: PWWSI V485 S3 WH |  |  |  |
|---|--|-------------------|----------------------------|---------------------------|--|--|--|
| Series                                  | Network                                      | Control Type      | Finish                     |                           |  |  |  |
| PWWSI Pathway Wall Station Inserts      | V485 <sup>1</sup> Vignette 485 Master Insert | B2 2 Buttons      | BL Matte Black<br>WH White |                           |  |  |  |
|   | LOC Local Insert                             | B4 4 Buttons      |                            |                           |  |  |  |
|   |  | S1 Single Slider  |                            |                           |  |  |  |
|   |  | S2 Dual Sliders   |                            |                           |  |  |  |
|   |  | S3 Triple Sliders |                            |                           |  |  |  |

| WALL STATION KITS - PWWSK                     |                   |           |                    | EXAMPLE: PWWSK V485 G3 1B4 2S3 3S1 WH |                             |                             |                             |                             |                            |  |  |
|---|-------------------|-----------|--------------------|---------------------------------------|-----------------------------|-----------------------------|-----------------------------|-----------------------------|----------------------------|--|--|
| Series  | Network           | Size      | Wall Station 1     | Wall Station 2 <sup>4</sup>           | Wall Station 3 <sup>4</sup> | Wall Station 4 <sup>4</sup> | Wall Station 5 <sup>4</sup> | Wall Station 6 <sup>4</sup> | Finish                     |  |  |
| PWWSK <sup>2,3</sup> Pathway Wall Station Kit | V485 Vignette 485 | G1 1-Gang | 1B2 2 Buttons      | 2B2                                   | 3B2                         | 4B2                         | 5B2                         | 6B2                         | BL Matte Black<br>WH White |  |  |
|   |                   | G2 2-Gang | 1B4 4 Buttons      | 2B4                                   | 3B4                         | 4B4                         | 5B4                         | 6B4                         |                            |  |  |
|   |                   | G3 3-Gang | 1S1 Single Slider  | 2S1                                   | 3S1                         | 4S1                         | 5S1                         | 6S1                         |                            |  |  |
|   |                   | G4 4-Gang | 1S2 Dual Sliders   | 2S2                                   | 3S2                         | 4S2                         | 5S2                         | 6S2                         |                            |  |  |
|   |                   | G5 5-Gang | 1S3 Triple Sliders | 2S3                                   | 3S3                         | 4S3                         | 5S3                         | 6S3                         |                            |  |  |
|   |                   | G6 6-Gang |                    |                                       |                             |                             |                             |                             |                            |  |  |

- Notes**
1. Each Wall Station requires only one 485 Master Insert. Remaining Inserts are LOC.
  2. PWWSK includes PWFP faceplate in the Size and Finish specified.
  3. PWWSK simplifies ordering of full wall stations, however will ship as individual items. Kits are not pre-assembled. If ordering using PWWSK, the kit will be broken out into individual lines referencing PWWSI and PWFP items on Sales Order Acknowledgement.
  4. Specify only the same number of Wallstations as selected Gangs (Size).

## OVERVIEW

Vignette™ is a system of modular button and slider wall station inserts that allow you to snapshot four Universes of E1.31 sACN or one Universe of DMX512 from any control source, and then play back those static looks without further need for any lighting controllers or equipment.

Design the exact configuration needed for each wall station, from 1-gang to 6-gang. Each wall station needs only one "Master" Insert (PWWSI VPOE), which receives data and power; the remaining "Local" inserts (PWWSI LOC) connect together easily and can be re-arranged as needed.

Buttons can be Press-and-Hold to Record, and Press to Play Back; Sliders can act as a Grand Master for the Vignette's output or proportionately control user-defined Zones with minimum and maximum values for individual channels.

Vignette is ideal for applications such as hotels, restaurants, bars and nightclubs, retail, and others where dynamic looks are not needed.

485 models provide an easy way to retrofit venues using older, multi-drop wiring. A Vignette 485 system requires the use of an Vignette Architectural Gateway (PWGW DIN V), that includes an Ethernet port for configuration and communication with the controller.

Please note that we cannot provide engraving services.

## FEATURES

- Configuration using free downloadable Pathscape software
- Buttons can be configured to act as Snapshot Replay, Non-Dim Zone On/Off, sACN Priority Override, Blackout, Grand Master, Record Enable and Take Control
- Sliders can be configured to act as Zone Control, Snapshot Master or Grand Master
- Inserts available in 2 and 4-button, and 1, 2, and 3-slider
- 485 backbone makes retrofits simple and straightforward
- Vignette Architectural Gateways can support up to 64 stations divided among 4 separate multi-drop buses
- Attractive design available in Matte Black or White finish
- Compatible with Pathway Faceplates (PWFP)
- Local inserts' positions are swappable; Master Insert must be in the left-most position
- Compression-screw and insulation-displacement contact (IDC) connectors included
- Also available in PoE wiring option (PWWSI VPOE)

## SPECIFICATIONS

|                   |                              |   |
|-------------------|------------------------------|---|
| <b>Electrical</b> | <b>Input Ratings</b>         | 24VDC over CAT5 or 3-Pair Cable (485)<br>7.5W maximum power consumption, per station  |
|                   | <b>Cabling</b>               | Standard CAT5/5e/6 Cable, 492 ft (150 m) maximum, or<br>Retrofit onto existing 3-pair Belden 9773 or equivalent, 984 ft (300m)<br>maximum |
|                   | <b>Regulatory Compliance</b> | CE  |

|                   |                   |  |
|-------------------|-------------------|--|
| <b>Mechanical</b> | <b>Dimensions</b> | 1.72" W x 4.2" H x 1.7" D (44mm W x 107mm H x 43mm D) [per insert] |
|                   | <b>Weight</b>     | 0.2375 lbs (0.1 kg) [per insert]                                   |

|                      |                              |                               |
|----------------------|------------------------------|-------------------------------|
| <b>Environmental</b> | <b>Operating Temperature</b> | 14°F to 122°F (-10°C to 50°C) |
|                      | <b>Relative Humidity</b>     | 5-95%, non-condensing         |
|                      | <b>Standard Compliance</b>   | RoHS 2011/65/EU + A1 2015/863 |

## PART NUMBER CROSS-REFERENCE

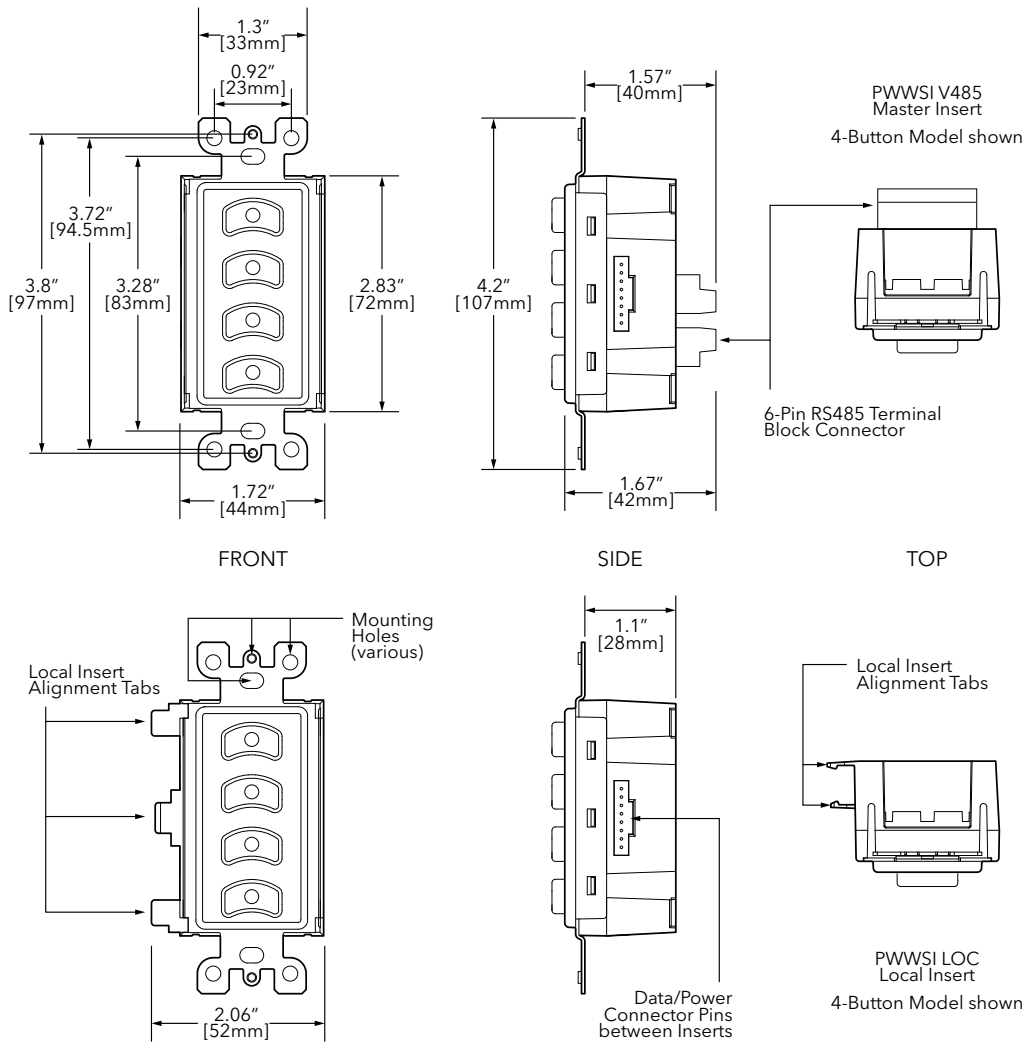
| PREVIOUS          |                       | NEW  |
|-------------------|-----------------------|--|
| Part Number       | Catalog Number        | Description  |
| 0700-5431 [BL/WH] | PWWSI V485 B2 [BL/WH] | Wall Station Insert, Vignette 485 Master, 2-Buttons, [Black/White]     |
| 0700-5432 [BL/WH] | PWWSI V485 B4 [BL/WH] | Wall Station Insert, Vignette 485 Master, 4-Buttons, [Black/White]     |
| 0700-5433 [BL/WH] | PWWSI V485 S1 [BL/WH] | Wall Station Insert, Vignette 485 Master, Single Slider, [Black/White] |
| 0700-5434 [BL/WH] | PWWSI V485 S2 [BL/WH] | Wall Station Insert, Vignette 485 Master, Dual Slider, [Black/White]   |
| 0700-5435 [BL/WH] | PWWSI V485 S3 [BL/WH] | Wall Station Insert, Vignette 485 Master, Triple Slider, [Black/White] |
| 0700-5901 [BL/WH] | PWWSI LOC B2 [BL/WH]  | Wall Station Insert, Local, 2-Buttons, [Black/White]                   |
| 0700-5902 [BL/WH] | PWWSI LOC B4 [BL/WH]  | Wall Station Insert, Local, 4-Buttons, [Black/White]                   |
| 0700-5903 [BL/WH] | PWWSI LOC S1 [BL/WH]  | Wall Station Insert, Local, Single Slider, [Black/White]               |
| 0700-5904 [BL/WH] | PWWSI LOC S2 [BL/WH]  | Wall Station Insert, Local, Dual Slider, [Black/White]                 |
| 0700-5905 [BL/WH] | PWWSI LOC S3 [BL/WH]  | Wall Station Insert, Local, Triple Slider, [Black/White]               |

## ADDITIONAL ORDERING INFORMATION

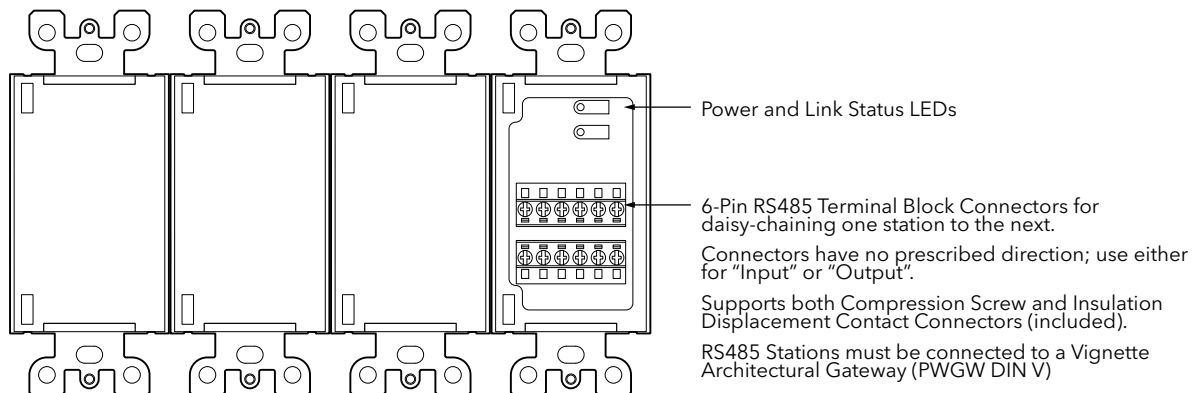
| PWFP                    |  | EXAMPLE: PWFP G6 BL   |  |
|-------------------------|--|---|--|
| Series                  | Width  | Finish  |  |
| PWFP Pathway Faceplates | <b>G1</b> 1-Gang<br><b>G2</b> 2-Gang<br><b>G3</b> 3-Gang<br><b>G4</b> 4-Gang<br><b>G5</b> 5-Gang<br><b>G6</b> 6-Gang | <b>BL</b> Matte Black<br><b>SS</b> Stainless Steel<br><b>WH</b> White |  |

| Accessories    |   |
|----------------|---|
| PWGW DIN V     | Architectural Gateway, DIN-mount, Vignette (4.5")   |
| PWGW DIN VD2   | Architectural Gateway, DIN-mount, Vignette w 2 DMX (6.25")                                |
| PWGW DIN VD2C8 | Architectural Gateway, DIN-mount, Vignette w 2 DMX & 8 Contact Closures (8")              |
| PWGW DIN VC16  | Architectural Gateway, DIN-mount, Vignette w 16 Contact Closures (8")                     |
| PWGW DIN VE    | Architectural Gateway, DIN-mount, Vignette w Secondary Ethernet (6.25")                   |
| PWGW DIN VE2C8 | Architectural Gateway, DIN-mount, Vignette w Secondary Ethernet & 8 Contact Closures (8") |
| PWACC D3G      | Pathway Accessory, Stage Manager's 4U rack panel, with dual 3-gang positions              |

## DIMENSIONS



## Rear View of Assembled Station



## APPLICATION RISER

