

# PATHPORT HAND HELD DMX/RDM ETHERNET GATEWAY



Model shown: PWPP HH P1 XLR5F

## WARRANTY

3-year limited warranty. Complete warranty terms located at:  
<https://www.acuitybrands.com/support/warranty>

## NOTE

Actual performance may differ as a result of end-user environment and application. Specifications subject to change without notice.

## OVERVIEW

The Pathport<sup>®</sup> series of DMX-over-Ethernet Gateways are the heart of DMX distribution. Connect DMX512 control devices and send data over an Ethernet network to DMX512-capable end devices such as intelligent lighting fixtures, LEDs, Dimmers, and more. The port can be configured as an Input or Output as needed.

Advanced features include extensive protocol support, slot-by-slot patching using multiple sources, cross-fading on priority change and signal loss behavior. Different Ethernet protocols may be merged together and prioritized.

The LCD display and buttons allow for front panel configuration and reporting of the most commonly used features, such as IP address and subnet mask, port direction, and protocol selection

The Pathport<sup>®</sup> Hand Held 1-Port Gateway is ideal for when a small, hand held DMX/RDM Ethernet Gateway is needed, such as touring or rental applications.

## FEATURES

- Convert DMX512 to Ethernet protocol for distribution
- Convert Ethernet protocol back to DMX512 for end devices
- One configurable DMX port
- Front panel interface supports configuration of IP settings, port direction, basic patching, and more
- DMX output configured as whole universes or custom slot-by-slot patch
- Map up to eight control sources to each output slot, with merge and/or priority options for each source
- View DMX levels from control console on display
- Acts as E1.20 RDM controller, when used with free Pathscape configuration software or ANSI E1.33 RDMnet compliant controllers
- Acts as a portable RDM Controller with front panel user interface with powered by battery
- User-configurable DMX output speed and signal loss behavior
- Supports the following Ethernet sending and receiving protocols:
  - Pathway ssACN (Secure sACN)
  - E1.31 streaming ACN (sACN)
  - Art-Net
  - Pathport Protocol
  - ShowNet
  - ETC Net2 (Output Only)
- Operates on Power-over-Ethernet (PoE) or included 9V battery (configuration-only)
- Field or bench-configurable without external power or network connection
- Also available in DIN-mount (PWPP DIN), Wall-mount (PWPP WM) and Portable (PWPP DT) form factors

## ORDERING INFORMATION

PWPP		EXAMPLE: PWPP HH P1 XLR5F	
Series	Form Factor	Port Quantity	Port Type
PWPP Pathway Pathport DMX/RDM Ethernet Gateway	HH Hand Held	P1 1 DMX Port	XLR5F XLR 5-Pin Female

## SPECIFICATIONS

<b>Electrical</b>	<b>Input Ratings</b>	PoE Class 1 device 4W maximum power consumption Optionally powered by included 9V Battery (for configuration only - device will go to sleep after short time without user input)
	<b>Isolation &amp; Fault Protection</b>	60V fault protection on DMX port

<b>Mechanical</b>	<b>Dimensions</b>	5.95" W x 3.4" H x 3.73" D (151.1mm W x 86.6mm H x 94.75mm D) [with hanging bracket installed]
	<b>Weight</b>	0.68 lbs (0.31 kg)

<b>Environmental</b>	<b>Warrantied Operating Temperature</b>	14°F to 122°F (-10°C to 50°C)
	<b>Relative Humidity</b>	5-95%, non-condensing
	<b>Standard Compliance</b>	IP54 Weather Rating RoHS 2011/65/EU:2015/863

<b>General</b>	<b>Compliance</b>	ANSI E1.11 DMX512-A R2013 ANSI E1.20 RDM - Remote Deice Management ANSI E1.31 sACN - Streaming ACN, Art-Net, Strand ShowNet, Pathway ssACN ANSI E1.33 RDMnet - RDM over IP IEEE 802.3af Power-over-Ethernet California Title 1.81.26, Security of Connected Devices
----------------	-------------------	--

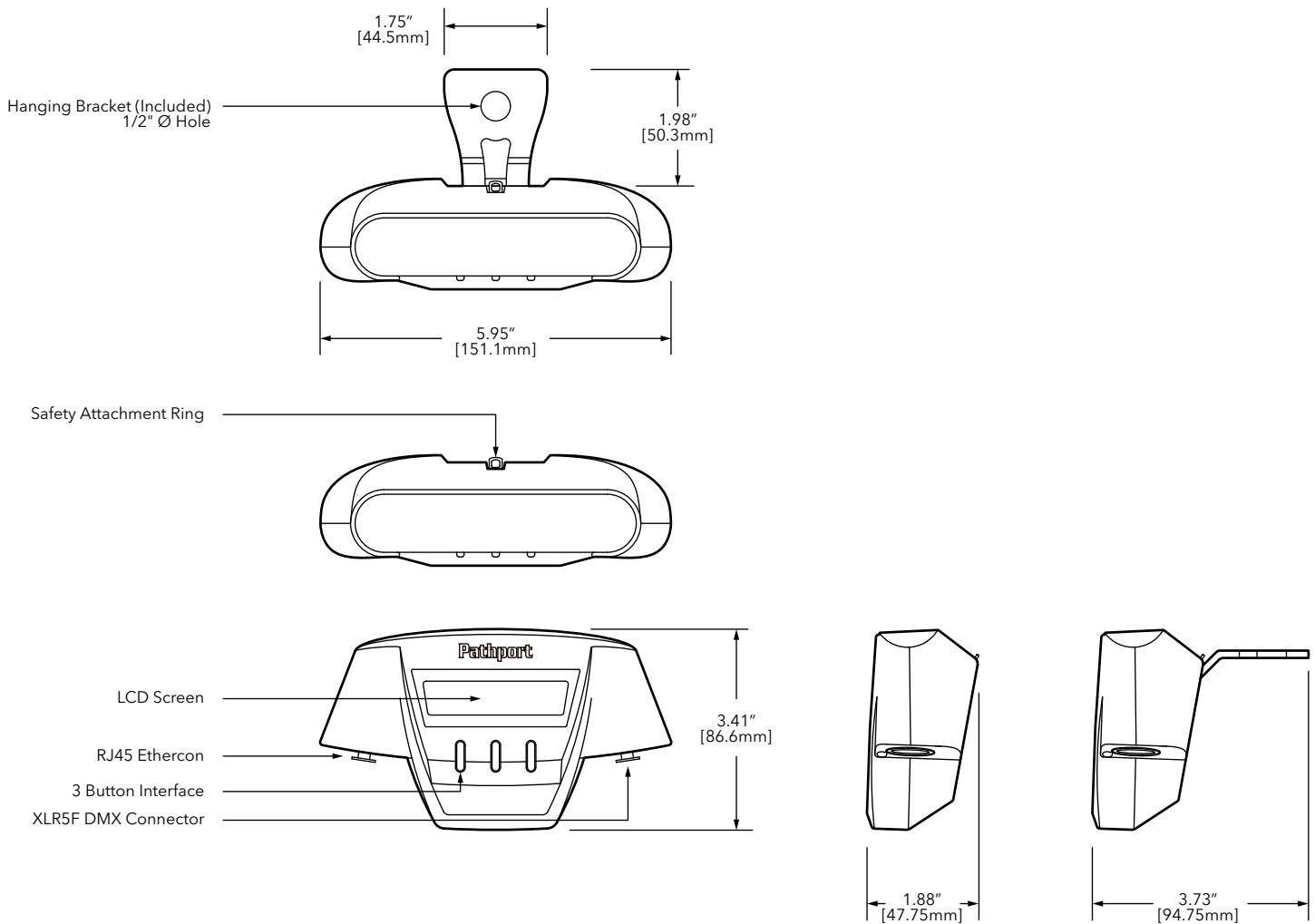
## PART NUMBER CROSS-REFERENCE

PREVIOUS		NEW
Part Number	Catalog Number	Description
6182	PWPP HH P1 XLR5F	Pathport, Hand Held, 1-Port, XLR 5-Pin Female

## WIRING

DMX512 PINOUT	
Purpose	XLR / Terminal Block Pin #
Shield / Common	1
Data - (complement)	2
Data + (true)	3
Not Used	4
Not Used	5
Not Used - Do Not Connect	N/A
Not Used - Do Not Connect	N/A

## DIMENSIONS



## APPLICATION RISER

