

# eLINK RACK-MOUNT LIGHTING PROTOCOL ROUTER



Models shown: 1. PWELINK RM P2 RJ45EC REAR

## WARRANTY

3-year limited warranty. Complete warranty terms located at:  
<https://www.acuitybrands.com/support/warranty>

## NOTE

Actual performance may differ as a result of end-user environment and application. Specifications subject to change without notice.



Pathway Pro marked products are geared for advanced entertainment lighting system applications and are available only to authorized buyers.



eLink supports SixEye cloud-based remote management

## OVERVIEW

The eLink is a PoE-enabled entertainment lighting Ethernet router designed to bridge two distinct Local Area Networks, capable of several functions where network isolation and security is a concern.

eLink has several applications including real-time DMX-over-Ethernet protocol conversion, allowing access to only certain DMX slots for a temporary/touring console, isolating lighting network data from console configuration traffic, and more.

As Ethernet data distribution in entertainment and architectural systems becomes more ubiquitous, tools are needed to ensure data from one system is not flooding the network causing unnecessary or unsecured traffic.

eLink aids in enforcing good network practices, making your networks cleaner, faster and more reliable.

## FEATURES

- 2 locking RJ45 etherCON ports on rear (each on separate LANs)
- Primary Port supports 10/100/1000Base-T speeds and is PoE-enabled for powering the device
- Secondary Port supports 10/100Base-T speeds, typically connected to downstream network
- Convert Network DMX data from one of the following industry protocols to any other:
  - Pathway ssACN (Secure sACN)
  - E1.31 streaming ACN (sACN)
  - Art-Net
  - Pathport Protocol
  - ShowNet
- Primary Port can optionally loop back converted protocols on the main network when physical isolation of data is not needed for single-LAN systems
- Supports a matrix of 128 inputs by 16 outputs of Network DMX data simultaneously
- Pathport-style signal loss behaviors including Hold Last Look, Fade and Port Shutdown
- Front panel configuration of standard patches
- Pathscape configuration allows custom slot-by-slot patching, merging and prioritizing multiple control sources
- Dry Contact Closure interface can be configured to freeze output stream or cease data transmission
- Operates on Power-over-Ethernet (PoE) or auxiliary 24-48VDC input
- Includes 19" rack mounting kit

## ORDERING INFORMATION

PWELINK			PWELINK RM P2 RJ45EC REAR		
Series	Form Factor	Port Quantity	Port Type	Port Location	
PWELINK Pathway eLink Lighting Protocol Router	RM Rack-mount	P2 2 Ethernet Ports	RJ45EC RJ45 etherCON Connector	REAR Ports on Rear Panel	

### Accessories

PWPWR WW BARL 24W 24VDC	Power Supply, Wallwart, Barrel, 24 Watts, 24 Volts DC
PWACC WMSM	Pathway Accessory, Small Rack-mount to Wall-mount kit
PWACC TMSM	Pathway Accessory, Small Rack-mount to Truss mount kit
PWACC EARS	Pathway Accessory, 19" Replacement Rackmount Ear Kit

## SPECIFICATIONS

### Electrical

**Input Ratings** PoE Class 1 device  
 24-48VDC auxiliary power input  
 4.2W maximum power consumption  
 Dry Contact Closure

**Regulatory Compliance** CE

### Mechanical

**Dimensions** 8.6" W x 1.7" H x 7.0" D (218mm W x 43mm H x 178mm D)

**Weight** 2.3 lbs (1 kg) [base device, without rack mounting hardware]

### Environmental

**Operating Temperature** 14°F to 122°F (-10°C to 50°C)

**Relative Humidity** 5-95%, non-condensing

**Standard Compliance** RoHS 2011/65/EU + A1 2015/863

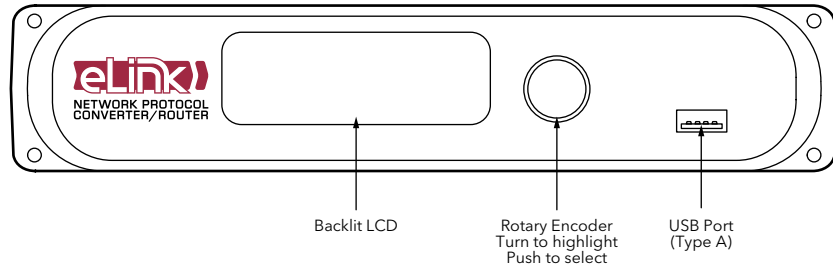
### General

**Compliance** ANSI E1.31 sACN - Streaming ACN  
 IEEE 802.3af Power-over-Ethernet  
 California Title 1.81.26, Security of Connected Devices

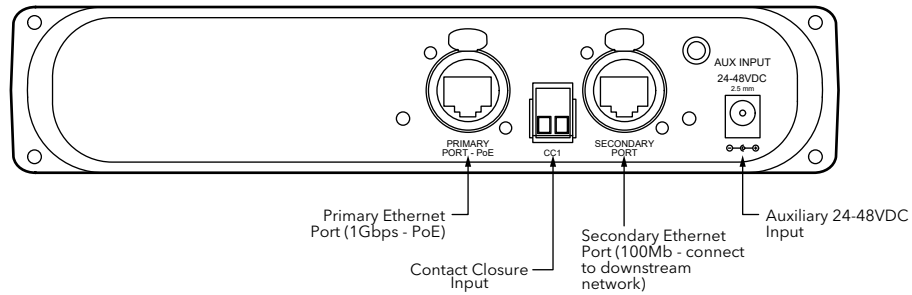
## PART NUMBER CROSS-REFERENCE

PREVIOUS		NEW
Part Number	Catalog Number	Description
6602	PWELINK RM P2 RJ45EC REAR	eLink Lighting Protocol Router, Rack-mount, 2-Ports, RJ45 EtherCON, Rear Panel Connectors

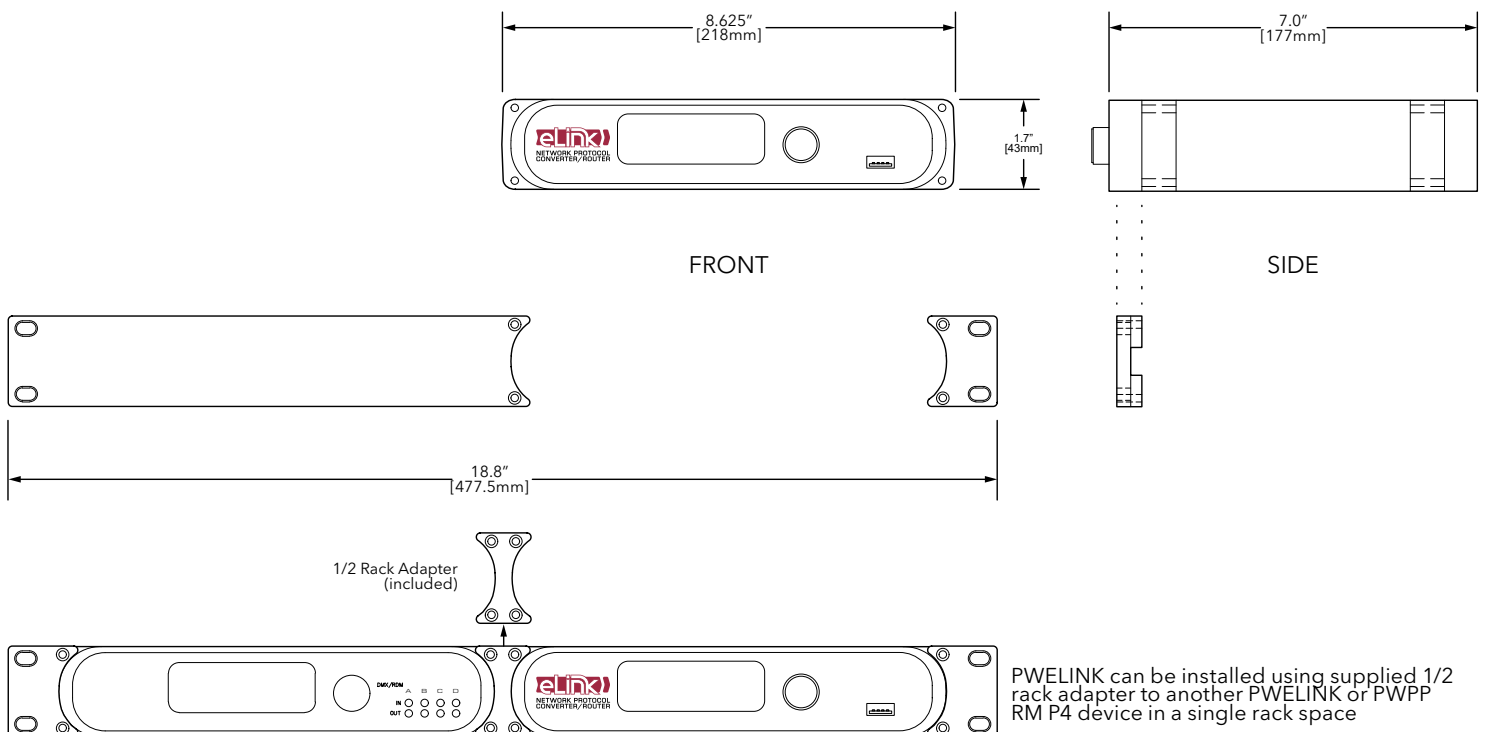
## FRONT PANEL



## REAR PANEL



## DIMENSIONS



---

## EXAMPLE USE CASES

---

### **Guest Console Security On-Ramp**

- Receive any supported protocol from third-party controller
- Add Security Domain data authentication
- Transmit ssACN (Pathway Secure sACN) to Pathports on the same Security Domain

### **Touring Access to House Light System**

- Touring Act has their own data distribution to their own lights
- Venue makes available one port on the eLink for touring console
- Touring console is allocated a limited number of slots for house lights, step lights, cue lights and accent lighting
- eLink only allows through those limited slots and patches them to the necessary house circuits
- Regardless of how the touring console floods its own network, only the prescribed data slots and protocols arrive on the house system

### **Simple Real-time Protocol Conversion**

- Receive any combination of Art-Net, Strand ShowNet, Pathport Protocol, E1.31 sACN or ssACN
- Re-transmit using any universe of the supported protocols
- May work across two LANs or loop back using just one

### **Complex Patching with Priority and HTP for simple 3<sup>rd</sup> party devices**

- Add Pathport-like logic to simple devices that can only receive one universe, such as media servers
- Build custom slot-by-slot patching with multiple levels or priority and HTP rules
- Merge multiple controllers with defined rules to devices not capable of listening to more than one source at a time

### **Console On/Off Switch**

- Using a simple contact closure, enable or disable the use of your network
- Choose Hold Last Look or cut data transmission altogether

### **Protocol and Network Filter**

- Define the Secondary output protocol and patch
- All data on Primary side is isolated from downstream network
- Remove MANet, console configuration data, Dante, and Internet-related traffic from your DMX network

### **SixEye Remote Monitoring and Management**

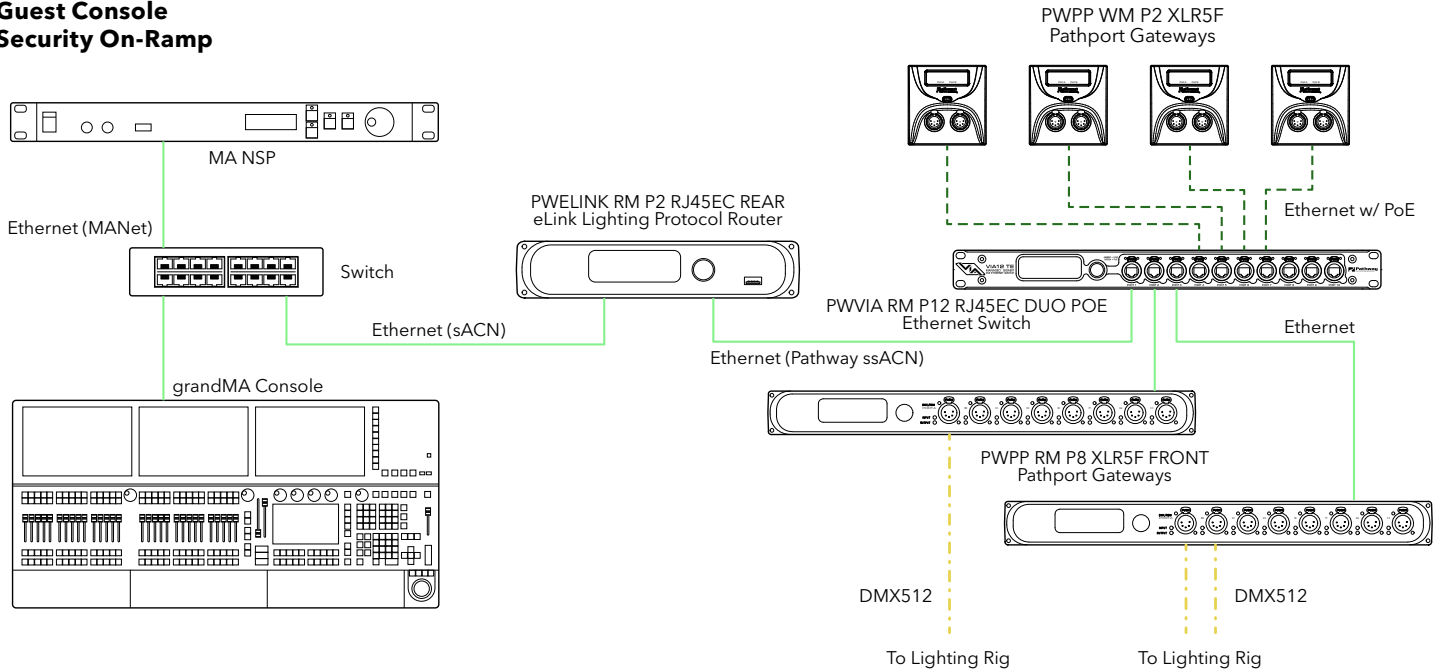
- Add eLink to monitor data presence and DMX levels from anywhere
- Remotely hold or shutdown data flow

### **sACN Priority Change**

- Receive sACN from a device having default priority of 100
- Re-transmit sACN with a higher or lower priority
- Use a "Magic Channel" to change priority on the fly
- Use standard 1:1 patch or swap & drop some slots

## APPLICATION RISER

### Guest Console Security On-Ramp



### Simple Real-time Protocol Conversion on one LAN with loop back

