

# CHOREO DIN-MOUNT ARCHITECTURAL CONTROLLER



Models shown: 1. PWCHOREO DIN [xxxx]

## WARRANTY

3-year limited warranty. Complete warranty terms located at: <https://www.acuitybrands.com/support/warranty>

## NOTE

Actual performance may differ as a result of end-user environment and application. Specifications subject to change without notice.

## OVERVIEW

The Choreo™ DIN-mount is a headless playback controller for dynamic DMX512 lighting systems, compatible with all Pathway DIN System Enclosures, Pathport DMX/RDM Ethernet Gateways and VIA Entertainment Ethernet Switches.

Using a laptop or tablet and VNC Viewer, you have full, live control of Choreo's natural language interface. This makes the selection of lights, adjustment of their attributes, and the recording of reference libraries, memories and cues fast and simple.

Once programmed, use Pathway NSB Wall Stations (PWWSI NPOE or PWWSI N485 series) to trigger memories or cues. Other events can be triggered from the astronomical clock, DMX or Network DMX, contact closures or the Lua API via RS232 or Telnet.

## FEATURES

- Up to 2 Universes (1024 channels) of DMX512 output directly from Choreo
- Fast and simple remote control of Choreo using any VNC client. Suggested viewers:
  - Mobile devices: Mocha VNC
  - macOS: Chicken VNC
  - Windows: Tiger VNC
- Edit all show attributes including color, intensity, position, and timing from the VNC client without the need of a console
- Supports E1.31 sACN, Pathway ssACN, Pathport Protocol, Art-Net and KiNET DMX-over-Ethernet protocols
- Natural language control uses "real world" terms and labels rather than slot numbers and data-level values
- No hard limits on the number of memories, cues, chases or playbacks
- Continually updated fixture library, currently with over 3,600 commonly available, multi-attribute lights
- Timecode-based playback and astronomical or time clock event triggering
- Context-sensitive Help Overlays provide assistance without interrupting workflow
- USB port for updates and showfile backup
- Web server for alternate method of backup, restore and software upgrade
- Seamless file transfer with Cognito<sup>2</sup> lighting consoles over the network; show files are compatible between Choreo and Cognito<sup>2</sup>
- Free downloadable off-line editor (OLE) for Windows and macOS
- Power-over-Ethernet (PoE) operation simplifies installation, optionally powered by auxiliary 24VDC input
- Also available in Wall-mount (PWCHOREO WM) form factor

## ORDERING INFORMATION

PWCHOREO		EXAMPLE: PWCHOREO DIN 1024	
Series	Form Factor	Model	
PWCHOREO Pathway Choreo Architectural Controller	DIN DIN-mount	512	512 Channels (6.25")
		1024	1024 Channels (6.25")

Accessories	
PWPWR DIN TERM 50W 24VDC	Power Supply, DIN-mount, Compression Fit Terminal, 50 Watts, 24 Volts DC
PWPWR DIN TERM 100W 24VDC	Power Supply, DIN-mount, Compression Fit Terminal, 100 Watts, 24 Volts DC
PWACC ADD512	Pathway Accessory, Add 512 Channels
PWENC SHELF HOR	DIN System Enclosure, 2-RU Shelf unit with 2x16.5", Horizontal Rails
PWENC SML VER	DIN System Enclosure, Small 10" x 13" x 4.5", Vertical Rails
PWENC SML HOR	DIN System Enclosure, Small 10" x 13" x 4.5", Horizontal Rails
PWENC MED VER	DIN System Enclosure, Medium 10" x 23" x 4.5", Vertical Rails
PWENC MED HOR	DIN System Enclosure, Medium 10" x 23" x 4.5", Horizontal Rails
PWENC LRG VER	DIN System Enclosure, Large 18.5" x 31.5" x 6.25", Vertical Rails
PWWSI NPOE [xxxx]	Wall Station Insert, NSB Power over Ethernet
PWWSI N485 [xxxx]	Wall Station Insert, NSB RS485

## SPECIFICATIONS

### Electrical

**Input Ratings** PoE Class 3 device  
 24VDC auxiliary power input  
 15W maximum power consumption  
 Dry Contact Closure

**Regulatory Compliance** CE

### Mechanical

**Dimensions** 6.25" W x 4" H x 1.86" D (159mm W x 103mm H x 47mm D)

**Weight** 0.8 lbs (0.36 kg)

### Environmental

**Operating Temperature** 14°F to 113°F (-10°C to 45°C)

**Relative Humidity** 5-95%, non-condensing

**Standard Compliance** RoHS 2011/65/EU + A1 2015/863

### General

**Compliance** ANSI E1.11 DMX512-A R2013  
 ANSI E1.31 sACN - Streaming ACN  
 IEEE 802.3af Power-over-Ethernet  
 California Title 1.81.26, Security of Connected Devices  
 RS-232

## PART NUMBER CROSS-REFERENCE

PREVIOUS	NEW	
Part Number	Catalog Number	Description
0700-7312	PWCHOREO DIN 512	Choreo Architectural Controller, DIN-mount, 512 Channels
0700-7313	PWCHOREO DIN 1024	Choreo Architectural Controller, DIN-mount, 1024 Channels
0700-7812	PWACC ADD512	Pathway Accessory, Add 512 Channels

## WIRING

DMX512 PINOUT	
Purpose	XLR / Terminal Block Pin #
Shield / Common	1
Data - (complement)	2
Data + (true)	3
Not Used	4
Not Used	5
Not Used - Do Not Connect	N/A
Not Used - Do Not Connect	N/A

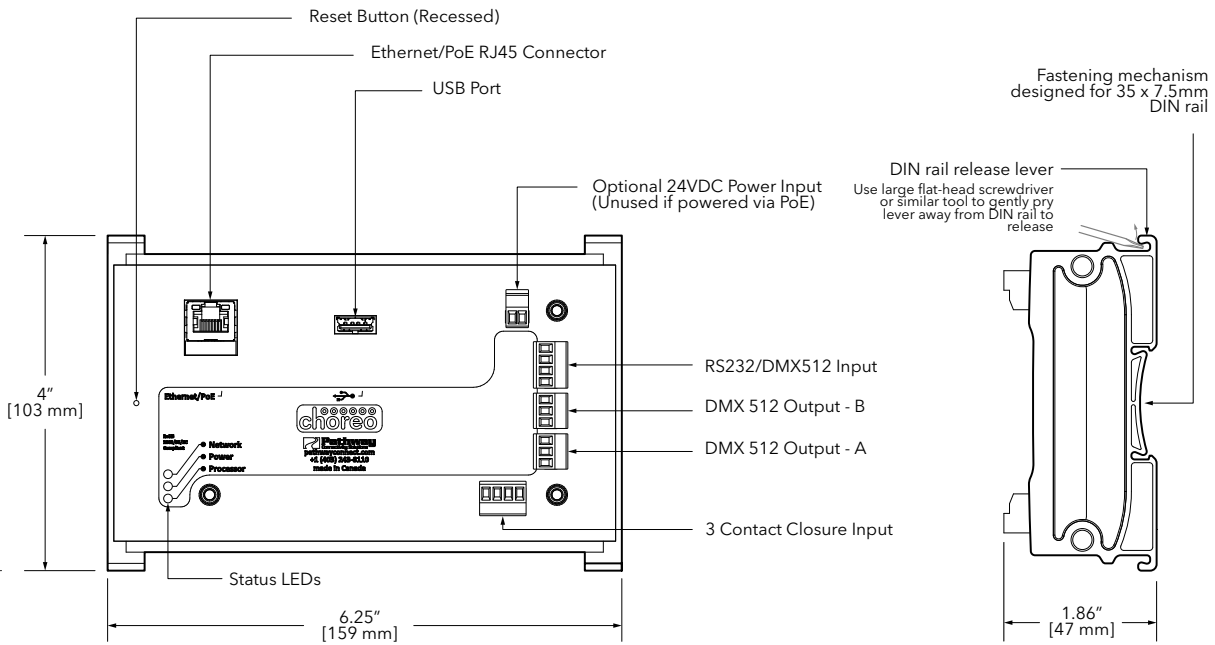
## MODEL FEATURE COMPARISON

Model	512	1024
Feature		
DMX Output Addresses	512	1024
Pathport Protocol	Yes	Yes
E1.31 sACN	Yes	Yes
Pathway ssACN	Yes	Yes
Art-Net	Yes	Yes
KiNET	Yes	Yes
DMX512 Output Ports	2 <sup>1</sup>	2
DMX512 Input Trigger	Yes	Yes
Network DMX Input Triggers	Yes	Yes
Internal Timecode Clocks	Yes	Yes
RS232 Serial/Telnet Lua Support	Yes	Yes
Contact Closure	3	3
Time/Astronomical Schedule	Yes	Yes
24VDC DIN-Mountable Power Supply	Optional	Optional

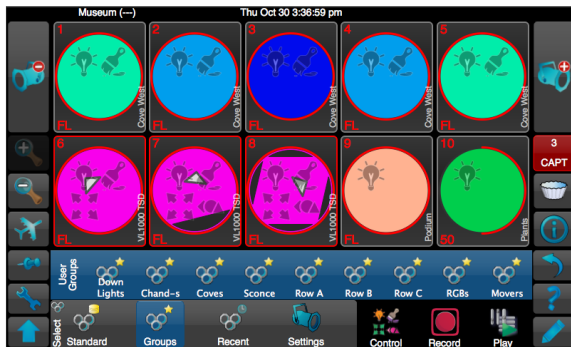
**Notes**

1. Universe 1 is repeated on both Output Ports

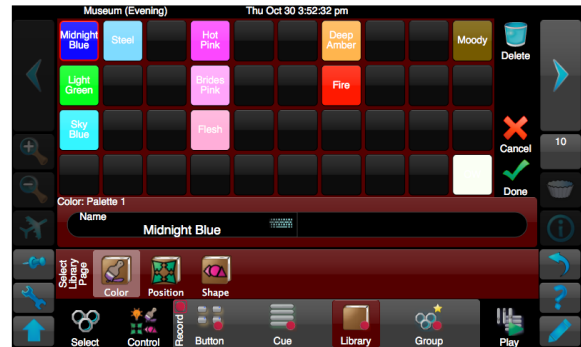
## DIMENSIONS



## SAMPLE SCREEN SHOTS



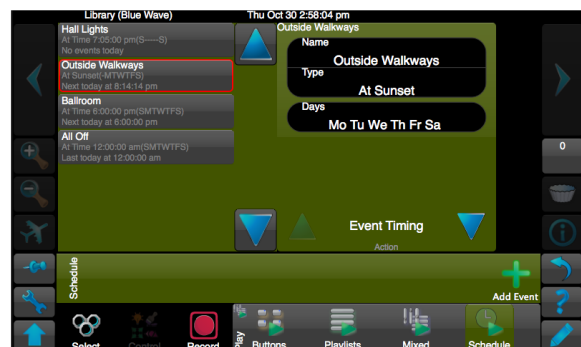
Select



Control



Record



Play

## APPLICATION RISER

### DMX-over-Ethernet

