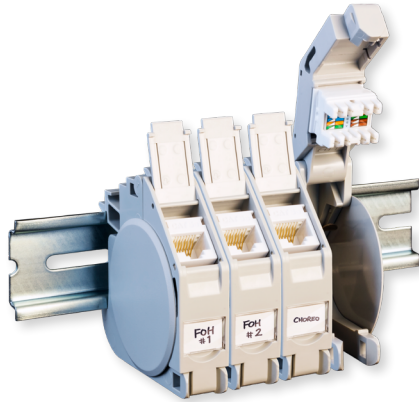


DIN-MOUNT RJ45 PATCH MODULE



Model shown: PWACC RJPATCH Q4

WARRANTY

3-year limited warranty. Complete warranty terms located at:
<https://www.acuitybrands.com/support/warranty>

NOTE

Actual performance may differ as a result of end-user environment and application. Specifications subject to change without notice.

OVERVIEW

The PWACC RJPATCH accessory is a RJ45 patch module that facilitates easier and cleaner installation of VIA DIN-mount switches (PWWIA DIN) in Pathway DIN enclosures (PWENC).

Terminate building Cat5 cable to the punch-down keystone jack, install onto 35mm DIN rail and use standard Ethernet patch cables to complete the wiring to the switch(es). Create custom Ethernet patch bays inside the enclosure.

The PWACC RJPATCH module includes a labeling window to further organize the network wiring, and a hinged cover protects the jack when not in use. Side covers are removable to save space when installing several modules in a continuous row.

Available in packs of 4.

FEATURES

- Facilitates more reliable termination of Cat5/6 cabling for VIA DIN-mount switches in DIN enclosures
- Label window for labeling of each cable or switch port
- Hinged latch protects RJ45 jack from damage or contamination when not used
- Swinging cassette with latching mechanism allows easy installation and removal of keystone jack
- Patch cable connection angle provides strain relief caused by cable's weight
- Side covers are removable, allowing more compact spacing when installing several modules in a row
- Mounts to standard 35mm DIN rail

ORDERING INFORMATION

PWACC		EXAMPLE: PWACC RJPATCH Q4	
Series	Model	Quantity	
PWACC Pathway Accessory	RJPATCH DIN-mount RJ45 patch module	Q4	Quantity 4

SPECIFICATIONS

Electrical **Input/Output Ratings** PoE Pass-through

Mechanical **Dimensions** 0.83" W x 2.78" H x 2.66" D (21mm W x 70.5mm H x 67.5mm D) [with side lids]
4 modules together take up 3.5" of DIN rail

Weight 1.6 oz (45 g)

Mounting Interface 35mm x 7.5mm DIN rail

Environmental **Operating Temperature** 14°F to 113°F (-10°C to 45°C)

Relative Humidity 5-95%, non-condensing

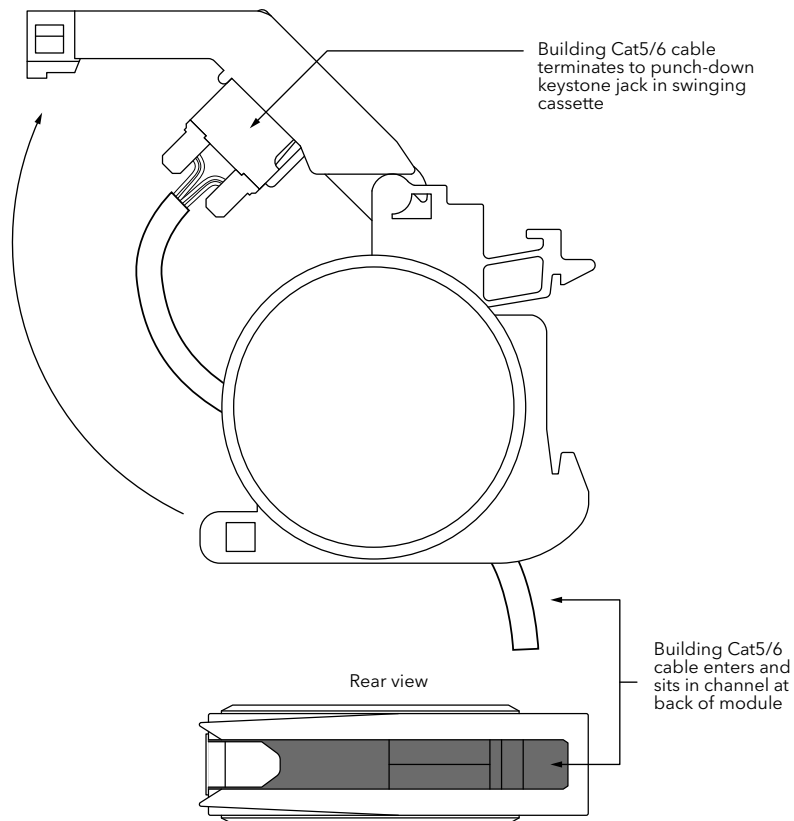
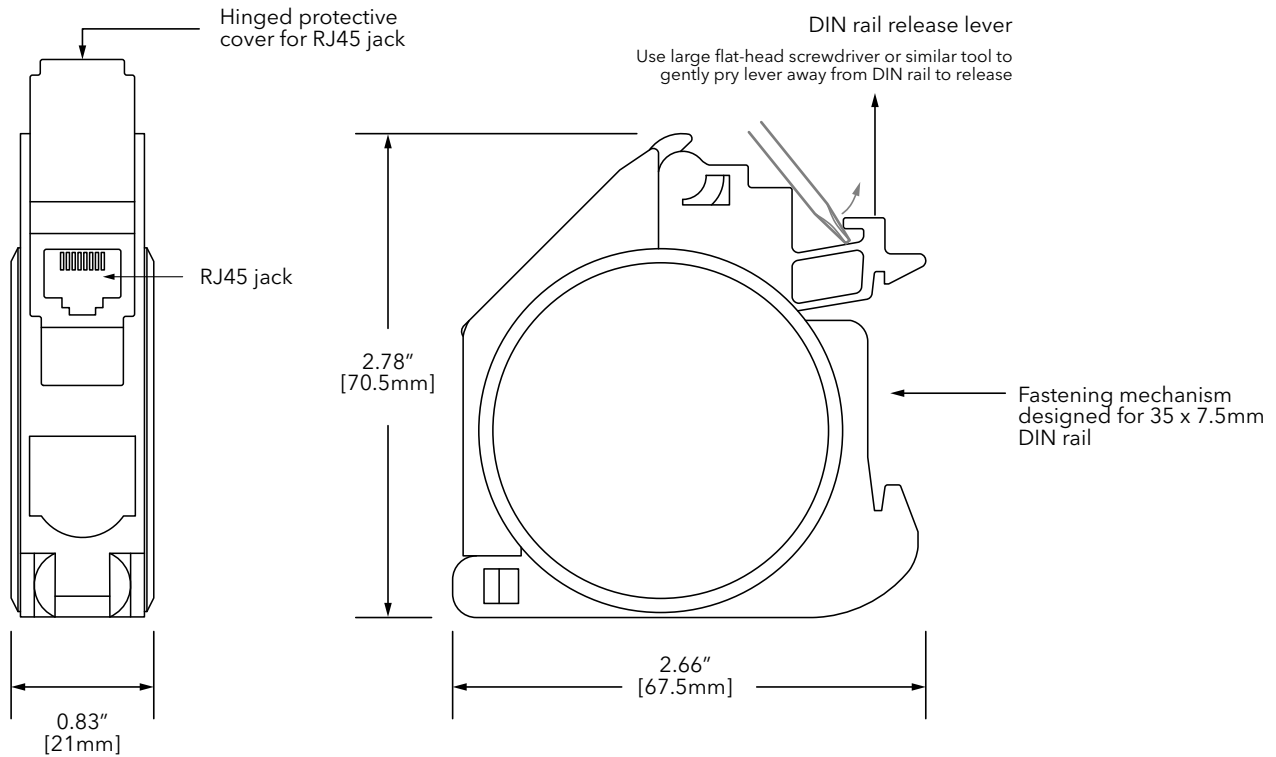
Standard Compliance RoHS 2011/65/EC

General **Compliance** IEEE 802.3 Ethernet
IEEE 802.3af Power-over-Ethernet

PART NUMBER CROSS-REFERENCE

PREVIOUS		NEW
Part Number	Catalog Number	Description
2100-DIN	PWACC RJPATCH Q4	Pathway Accessory, DIN RJ45 patch (3.5" of rail for 4), (Qty 4)

DIMENSIONS



APPLICATION RISER

