

**ORIGAMX**  
BY THE BLACK TANK



**MEDI-O**  
DMX/RDM Track Lighting

# MEDI-O

## Track System



Protected by US and International Patents.

The OrigamX lighting system was developed for the world's most creative Architects and most critical technical Lighting Designers to enable them to achieve the highest quality of light in the most diverse range of applications - including museums, high-end residential and retail.

The MEDI-O performance track head features theatrical grade control and dimming (DMX/RDM), hand picked optics and tightly binned LEDs. The fixtures excel in applications where the quality of light is critical and in low ceiling height applications where discrete, reconfigurable, low profile fixtures and a clean look are desired.

Select from Tunable CCT (2000k-7000k - all 90CRI+), RGBA and Fixed White, fixed or solid-state zoom optics (0-60 degrees) and a range of housing options to support the aesthetics of your installation.

*The name OrigamX is a combination of Origami, the art of folding flat objects into alternate forms and structures, and "X" to highlight the technology.*

## KEY FEATURES

### High Output. Tiny Package

Ultra-compact, modular form factor uses Black Tank's patented heat sink to provide a superior 16 watts and extended LED lifetime in a compact 2" diameter fixture.

### Satisfied LDs and Architects

Modular design allows Lighting Designers, End Users and Architects/Interior Designers to collaborate on housing, mounting and lighting specs using an online application...not complicated data sheets and long SKUs.

### Ludicrous Mode

Increases brightness (up to 4x) of any color or CCT without sacrificing LED lifetime and enables tunable white light fixtures to operate at full power output at any CCT setting - eliminating the need to select a specific fixed color temperature in manufacturing.

### DMX and 100% Compliant RDM

Black Tank's theatrical grade dimming technology has been used on Broadway and in critical dynamic environments around the world.

### Quality of Light

Proprietary binning, integral color calibration, the highest quality optics and cutting edge solid-state zoom option provides LDs with a next-generation tool for a variety of applications.

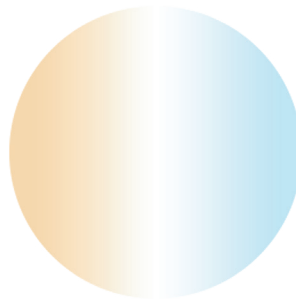
### Advanced Control Options

Patented Hybrid Driver Circuitry provides unique control features - including Ludicrous Mode, master dimmer control, up to 16khz PWM, adjustable total wattage (for LEEDs compliance) and incredibly smooth, theatrical grade dimming to 0%.



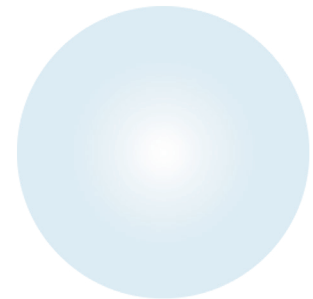
### Color Mixing RGBA

Color Mixing RGBA Can Effortlessly Produce 16 Million Colors



### Tunable White

Tunable White Offers Continuous Variable Color From 2000k to 7000k - All Over 90CRI

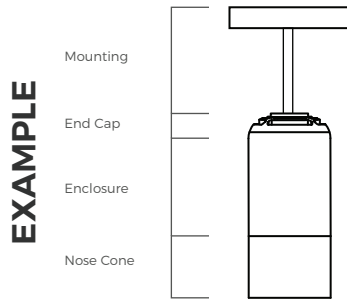


### Fixed White

Fixed White Offers a Static CCT 2000k to 7000k - All Over 90CRI

# MEDI-O

## Fixture Order Sheet



Project Name: \_\_\_\_\_

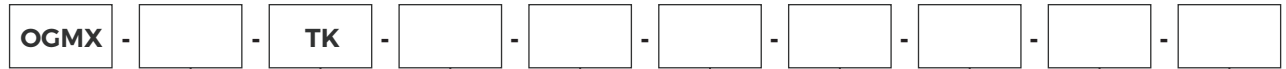
Specifier: \_\_\_\_\_

Quantity: \_\_\_\_\_

Contact Info: \_\_\_\_\_

Additional Notes: \_\_\_\_\_

**Example Part Number** OGMX-RGBA-TK-BLK-ZOOM-ZM-BLK-BLK-F-BLK



**LED Type**

RGBA - Red, Green, Blue & Amber  
 TW - Tuneable White (2000-7000K)  
 FIX - Fixed CCT White - Specify Below

**Mounting Style**

TK - Track Knuckle (Specify Track Ordering on Page 7)  
 MK - Monopoint Knuckle  
 MP - Monopoint Pendant  
 MS - Monopoint Stem

**Mounting Finish**

BLK - Black Powder Coat  
 WHT - White Powder Coat

**Optic Style**

NAR - Narrow (8 Degree)  
 ZOOM - ZOOM Variable Beam Option (8 -60 Degrees)

**Nose Cone Style**

SS - Stepped Straight  
 FS - Flush Straight  
 FL - Flared  
 ZM - ZOOM (If ZOOM option is picked under Optic Style)

**Nose Cone Finish**

BLK - Black Powder Coat  
 WHT - White Powder Coat  
 SLV - Silver Anodized  
 CUS - Custom\*

**Enclosure Finish**

BLK - Black Powder Coat  
 WHT - White Powder Coat  
 SLV - Silver Anodized  
 CUS - Custom\*

**End Cap Style**

F - Flat  
 R - Rounded

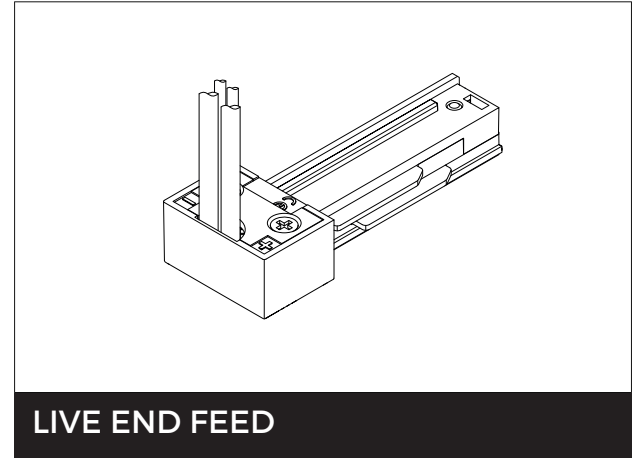
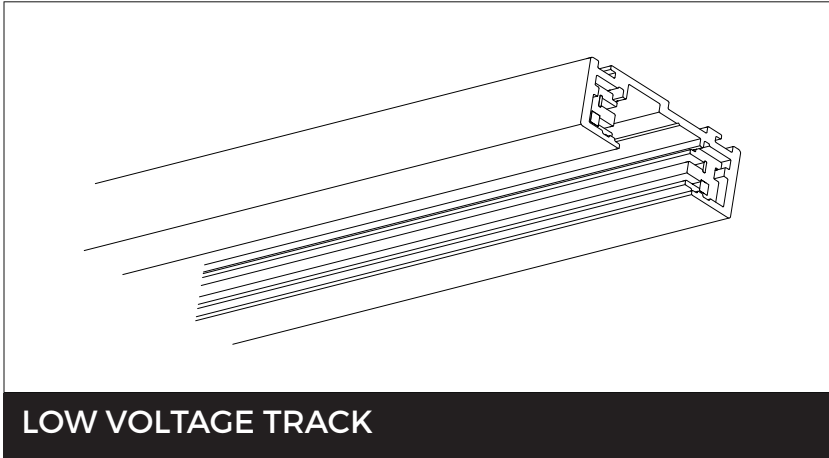
**End Cap Finish**

BLK - Black Powder Coat  
 WHT - White Powder Coat  
 SLV - Silver Anodized  
 CUS - Custom\*

If you chose Fixed CCT or Custom Finishes please fill out the boxes below. Fixed CCT color temperatures are available in 100° Kelvin increments between 2000K and 7000K.

Fixed CCT Color	
Nose Cone Color	

Enclosure Color	
End Cap Color	



**LOW VOLTAGE TRACK**

**LIVE END FEED**

**6.5' (2m) Length**

**9.75' (3m) Length**

**Black**  
OGMX-LVT-2M-B

**Black**  
OGMX-LVT-3M-B

Quantity

Quantity

**White**  
OGMX-LVT-2M-W

**White**  
OGMX-LVT-3M-W

Quantity

Quantity

**Left Hand**

**Right Hand**

**Black**  
OGMX-LVT-LEF-LH-B

**Black**  
OGMX-LVT-LEF-RH-B

Quantity

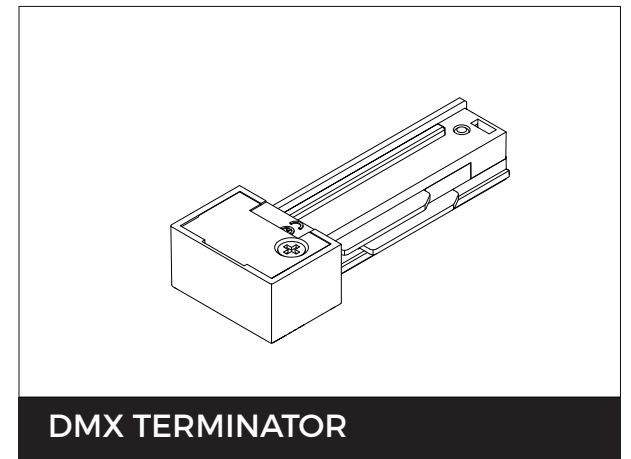
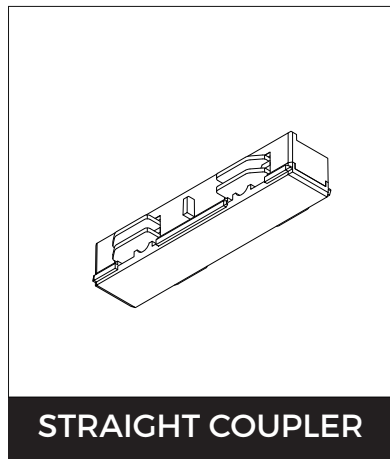
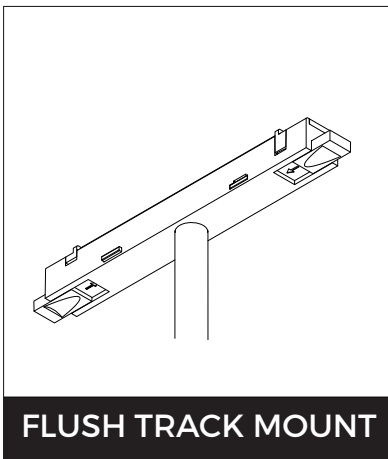
Quantity

**White**  
OGMX-LVT-LEF-LH-W

**White**  
OGMX-LVT-LEF-RH-W

Quantity

Quantity



**FLUSH TRACK MOUNT**

**STRAIGHT COUPLER**

**DMX TERMINATOR**

**Black**  
OGMX-LVT-FTM-B

**Black**  
OGMX-LVT-SC-B

Quantity

Quantity

**White**  
OGMX-LVT-FTM-W

**White**  
OGMX-LVT-SC-W

Quantity

Quantity

**Black (Left Hand)**  
OGMX-LVT-TER-LH-B

**Black (Right Hand)**  
OGMX-LVT-TER-RH-B

Quantity

Quantity

**White (Left Hand)**  
OGMX-LVT-TER-LH-W

**White (Right Hand)**  
OGMX-LVT-TER-RH-W

Quantity

Quantity

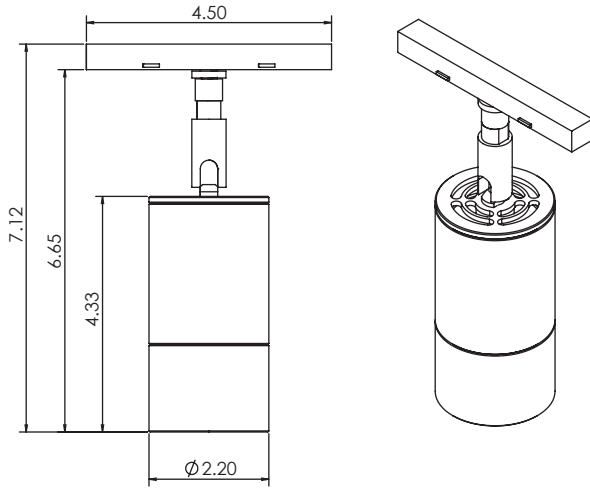
# MEDI-O

## Track Fixture Profiles



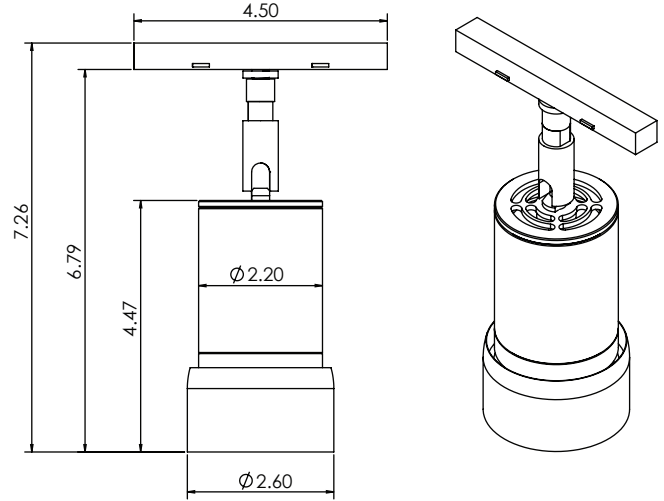
### PART NUMBER

OGMX-XXX-TK-XXX-NAR-FS-XXX-XXX-F-XXX



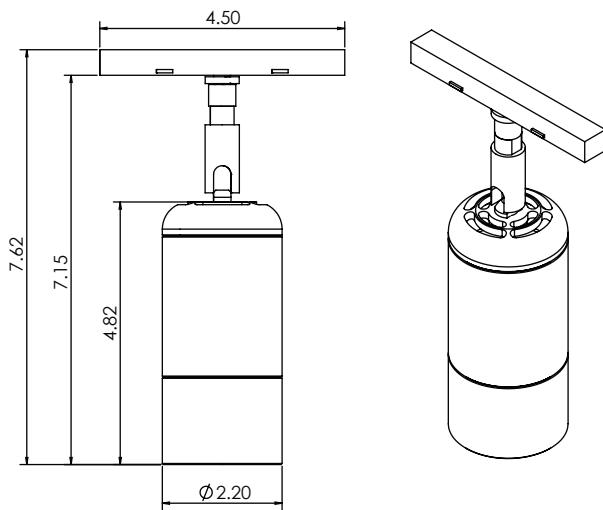
### PART NUMBER

OGMX-XXX-TK-XXX-ZOOM-ZM-XXX-XXX-F-XXX



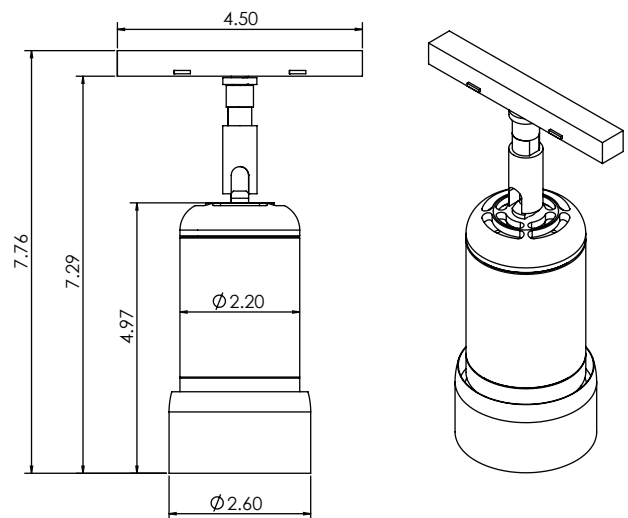
### PART NUMBER

OGMX-XXX-TK-XXX-NAR-FS-XXX-XXX-R-XXX



### PART NUMBER

OGMX-XXX-TK-XXX-ZOOM-ZM-XXX-XXX-R-XXX

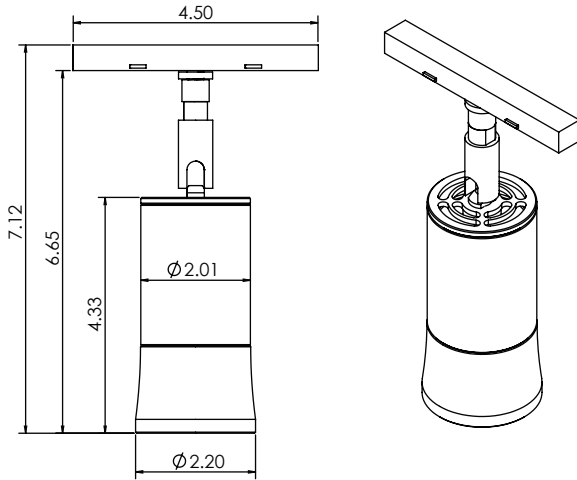


# MEDI-O

## Track Fixture Profiles

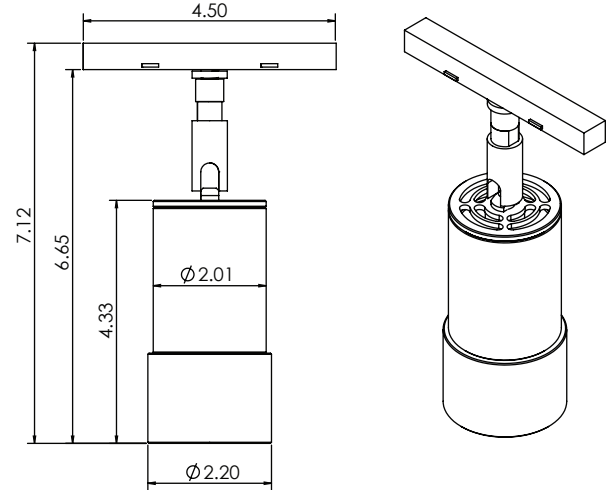
### PART NUMBER

OGMX-XXX-TK-XXX-NAR-FL-XXX-XXX-F-XXX



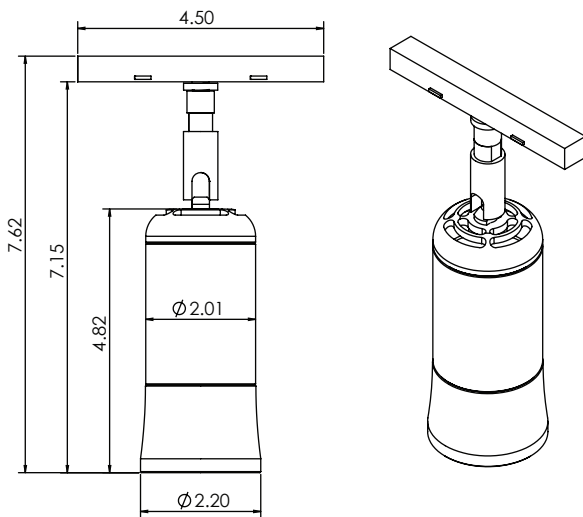
### PART NUMBER

OGMX-XXX-TK-XXX-NAR-SS-XXX-XXX-F-XXX



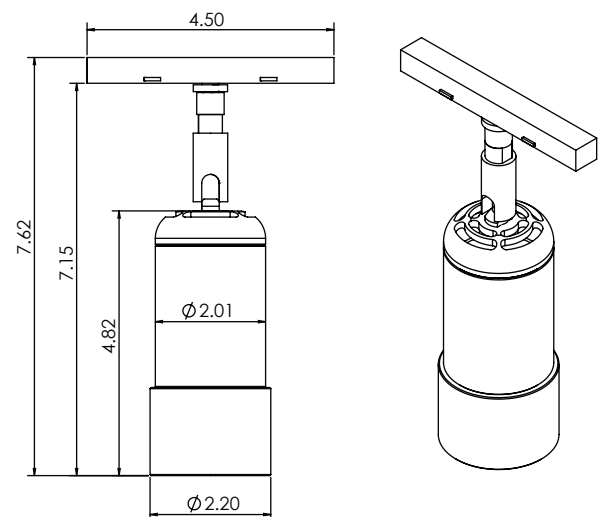
### PART NUMBER

OGMX-XXX-TK-XXX-NAR-FL-XXX-XXX-R-XXX

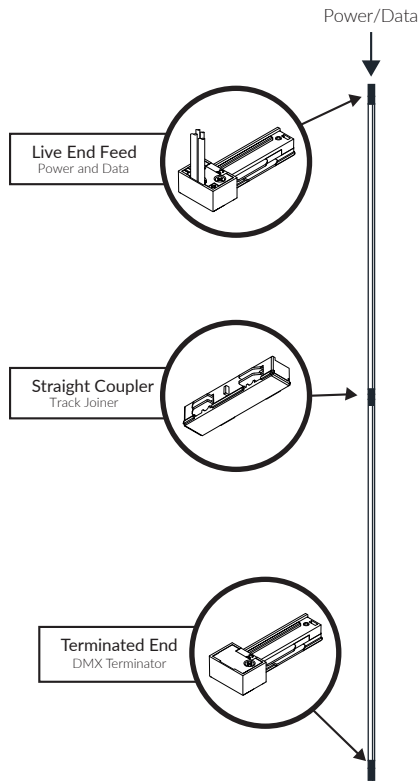


### PART NUMBER

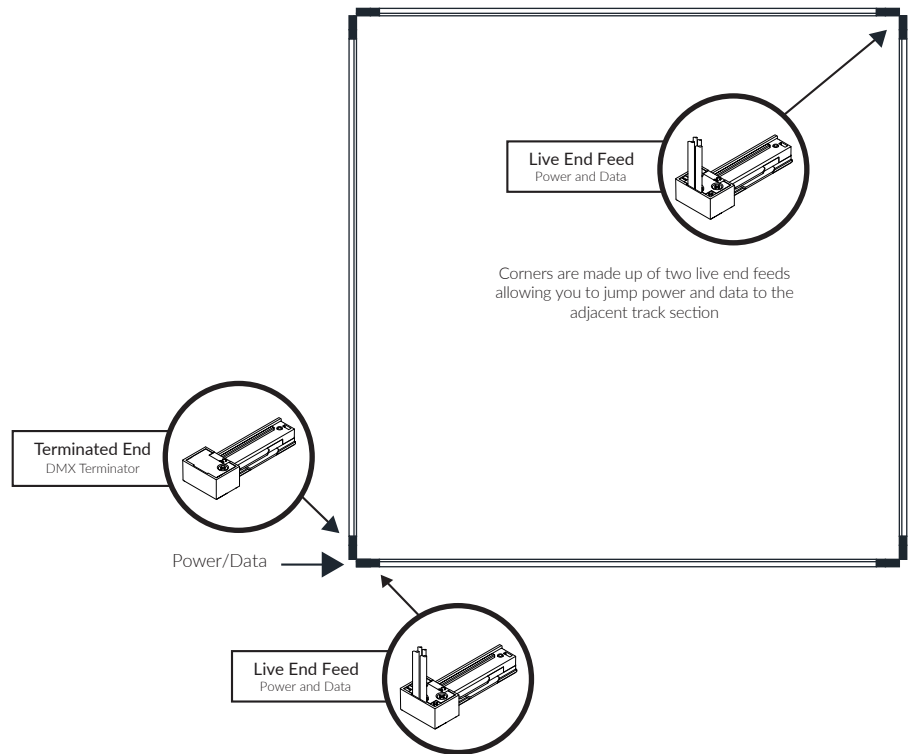
OGMX-XXX-TK-XXX-NAR-SS-XXX-XXX-R-XXX



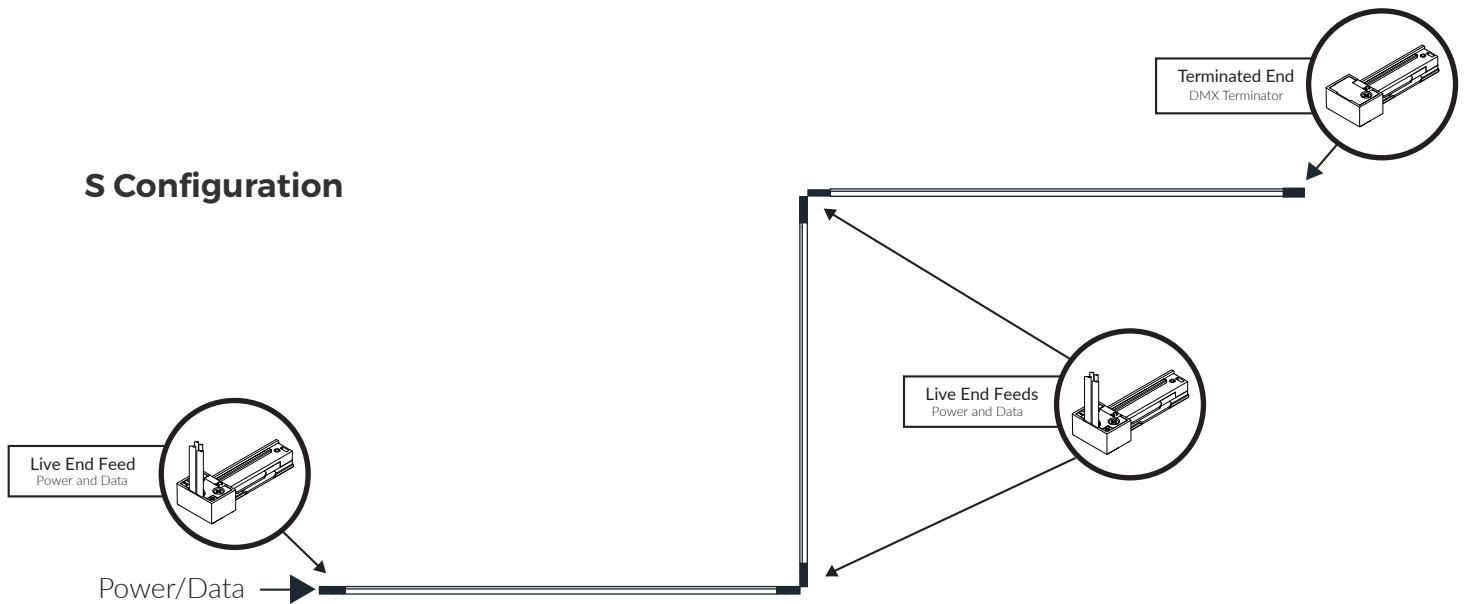
### Straight Configuration



### Square Configuration

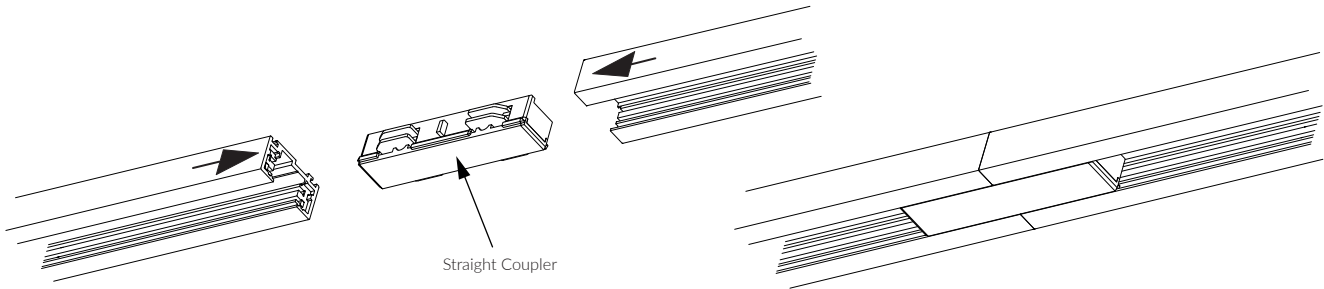


### S Configuration



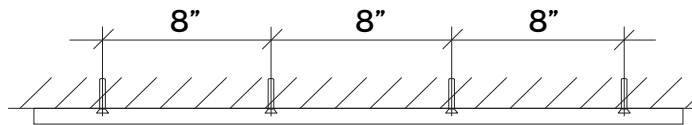
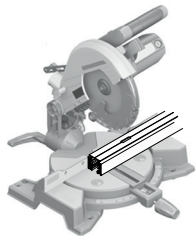
### Installing a Straight Coupler

Slide the two pieces of track onto the coupler until they are touching.



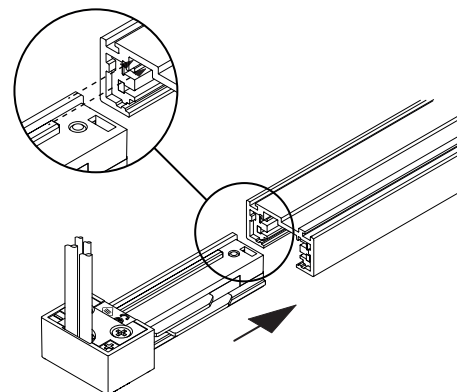
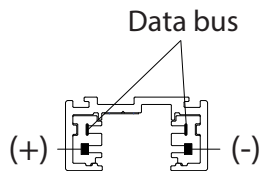
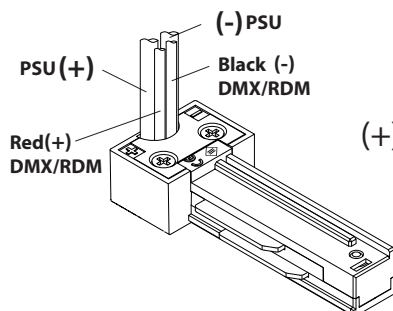
### Mounting the Track

Cut the track to length in field if necessary. Use mounting holes to fix to ceiling or suspended mounts.



### Wiring the Live End Feeds

Use the wiring diagram below to connect the track section to your DMX/RDM controller and PSU.





# MEDI-O

## Track System Information



This product is for indoor use only IP20, do not use in damp or wet locations. Mains voltage must be switched off before mounting and maintenance.

This track must be installed and maintained by a suitably qualified Electrician in compliance with latest installation and safety regulations.

Material used for ceiling fixation should conform to the relevant building regulation.

It is the responsibility of the installer to ensure the electrical, mechanical, and thermal compatibility of the track-system and the fixtures (45C maximum ambient).

Installation and operating of this Track is subject to national safety regulations. The manufacturer is not liable for damage caused by improper use or installation.

**Max. Track Current:**  
20A

**Max. Number of Fixtures (OrigamX PSU):**  
12

**Max. Track Voltage:**  
24VDC

**Max. Number of Fixtures (3rd Party PSU):**  
20 (20A at 24VDC)

