

Date: _____ Customer: _____

Project: _____

Type: _____ Qty: _____



Olivio Grande RGBW Sistema Arm Mount



Fixture Order Code:	#1	OLGR	-	-	-	-	-	-	-	-
	#2	OLGR	-	-	-	-	-	-	-	-
	#3	OLGR	-	-	-	-	-	-	-	-
	#4	OLGR	-	-	-	-	-	-	-	-
Fixture Type #	Series	Optics	Mounting	Light Engine	CCT	Finish	Voltage			

Note:
When mixing Gobo, RGBW and Standard Olivio fixtures on one pole, simply reference individual spec sheets for specific fixture order codes and include correct number of Rivnut pairs (RN) in the pole order code on this page. 6 fixtures maximum.

Pole Order Code:	Series	Height	Finish	Rivnut Pairs	Options	*Rivnut Locations	
	_____	_____	_____	_____	_____	_____	_____

*Refer to chart on page 5 for Rivnut locations

Fixture # _____

Note fixture type # under associated Rivnut Location

_____	OLGR	Series	OLGR Olivio Grande RGBW								
_____		Optics	N13 Narrow 13° Beam	M50 Medium 50° Beam	W80 Wide 80° Beam					*Refer to page 11 for photometric information	
_____		Mounting	SSx ¹ Specify Arm Locations (x = number of luminaires per pole)								¹ Limit 4 luminaires per pole on A35 & S35 poles due to hand hole size required for wiring. Limit 6 luminaires per pole on poles with a minimum hand hole size of 3" x 5".
_____		Light Engine	L50 50W max								
_____		CCT	RGBW Red, Green, Blue, White								*Refer to page 11 for photometric information
_____		Finish	WH White	BK Black	BL Semi-Matte Black	BZ Bronze	SV Silver	SP Specify Premium Color			
_____		Voltage	UNV 120V-277V								

Product Modifications

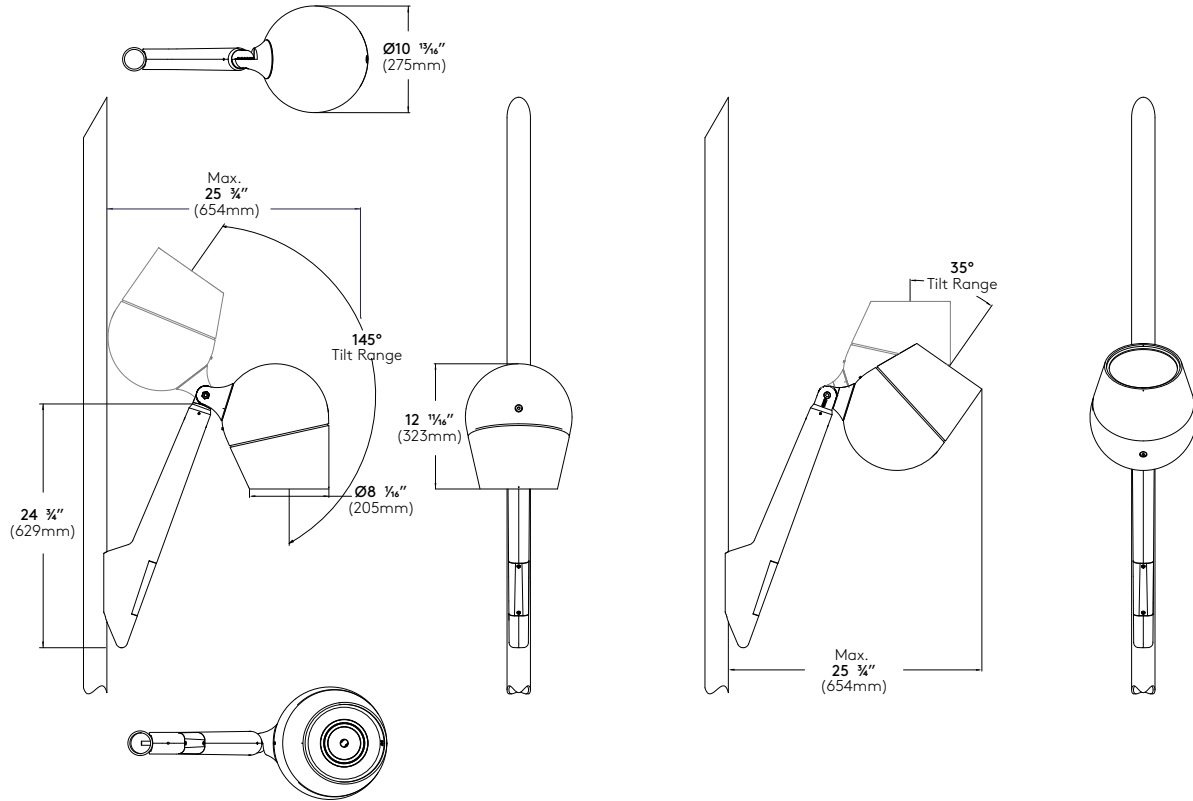
Please list modification requirements for review by factory:

Approvals

Date: _____



OLGR-XX-SS1



Specifications

Luminaire Housing - Two-piece high-pressure die-cast housing, made of low-copper aluminum alloy. Single recessed captive screw allows easy access to light engine & gear tray components.

Gasketing - UV and ozone-resistant, silicone gasket between fixture housing and lens base provide IP67 level ingress protection. IP rated micro-membrane ensures pressure compensation.

Lens - Tempered clear glass lens with diffusion.

LED Light Engine - Mid-power Red, Green, Blue, and White (5734K) LEDs mounted to aluminum core PCB. DMX LED driver with 50 watt max output. Precision reflectors provide Narrow Beam (N13 / 13°), Medium Beam (M50 / 50°), or Wide Beam (W80 / 80°) distributions.

LED Driver - LEDs are driven by RoHS compliant high-efficiency DMX driver. Excellent for cold temperature starting and instant on. Suitable for ambient temperatures from -20C to +40C. Do not exceed 50W max power limit.

Surge Protector - Designed to protect luminaire from electrical surge up to 20kA.

Arm - Extended cast aluminum mounting arms for flexible pole mounting. Fixture head joint provides tilt-swivel range from 0° to 145°, and 360° rotation depending on lock angle. Locks down with set screws.

Rivnuts - (2) Two rivnuts required per Fixture Arm and installed by the manufacturer.

Power Cord - Pre-installed at factory and hidden through the luminaire hinge and hinge arm. Power cords are specified to fit the length of the pole specified with the luminaire. Power and DMX cables segregated with electrical box at lower hand hole.

Exterior Luminaire Finish - Selux utilizes a high quality Polyester Powder Coating. All Selux luminaires and poles are finished in our Tiger Drylac certified facility and undergo a five stage intensive pretreatment process where product is thoroughly cleaned, phosphated and sealed. Selux powder coated products provide excellent salt and humidity resistance as well as ultraviolet resistance for color retention. All products are tested in accordance with test specifications for coatings from ASTM and PCI. Standard exterior colors are White (WH), Black (BK), Semi-Matte Black (BL), Bronze (BZ), and Silver (SV). Selux premium colors (SP) are available, please specify from your Selux color selection guide.

5 Year Limited LED Luminaire Warranty - Selux offers a 5 Year Limited Warranty to the original purchaser that the Olivio LED luminaire shall be free from defects in material and workmanship for up to five (5) years from date of shipment. This limited warranty covers the LED driver and LED Light engine when installed and operated according to Selux instructions. For details, see "Selux Terms and Condition of Sale."

Listings and Ratings: Luminaire and LED tested to IP67 and IESNA LM-79-08 standards. LED tested to LM-80 standards.

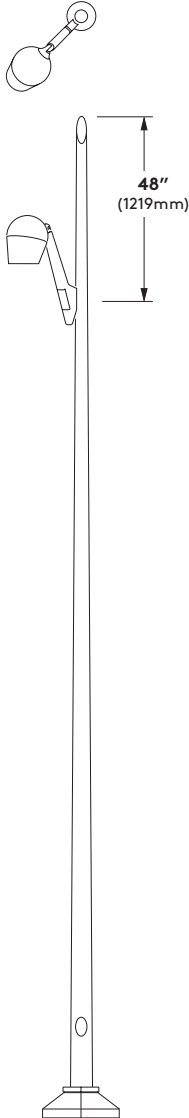
NRTL Listed for wet location (i.e. UL, CSA)

Visit selux.us for our LED End of Life recycling policy.

Mounting

Single

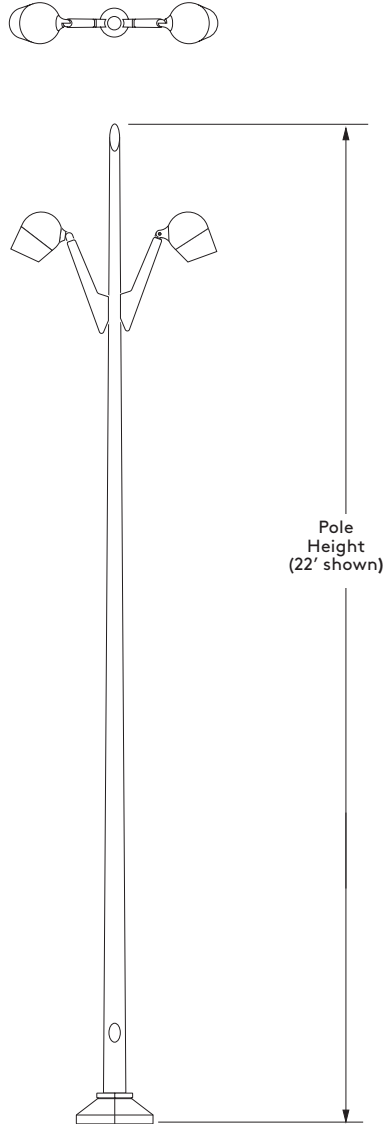
(Arm Locations: 0D)
 EPA = 1.8 ft² (0.167 m²)
 Weight = 35 lbs. (16 kg)
 Rivnuts = 1 pair (RN1)



Double at 180°

(Arm Locations: 0G-0S)
 EPA = 3.7 ft² (0.334 m²)
 Rivnuts = 2 pair (RN2)

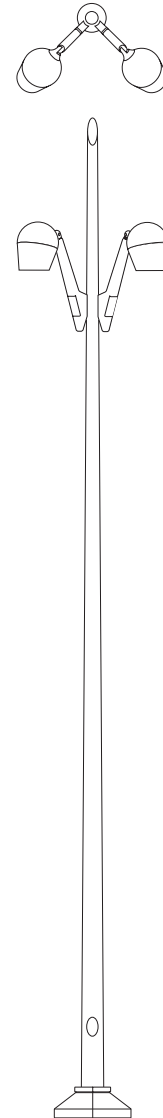
When mixing Gobo, RGBW, and standard
 Olivio fixtures, reference individual spec
 sheets to get exact weights.



Double at 90°

(Arm Locations: 0D-0V)
 EPA = 3.7 ft² (0.334 m²)
 Rivnuts = 2 pair (RN2)

When mixing Gobo, RGBW, and standard
 Olivio fixtures, reference individual spec
 sheets to get exact weights.

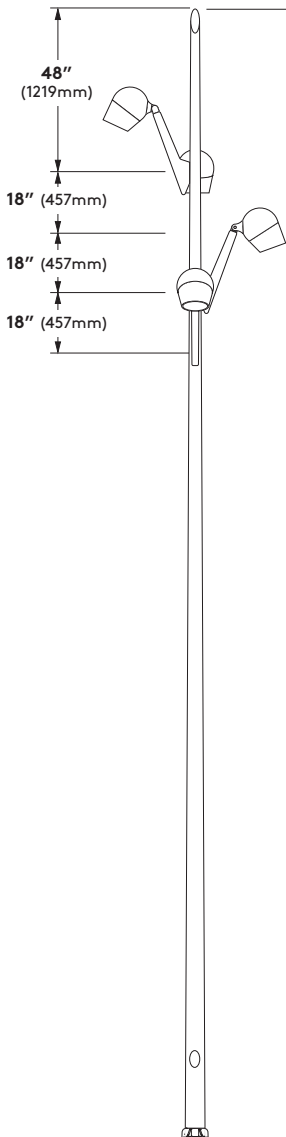
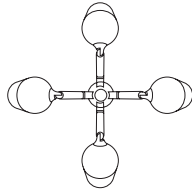


Mounting Configurations

Quadruple Pole Arms stepped at 90°

(Arm Locations: 0G-1M-2S-3A)
 EPA = 7.4 ft² (0.687 m²)
 Rivnuts = 4 pair (RN4)

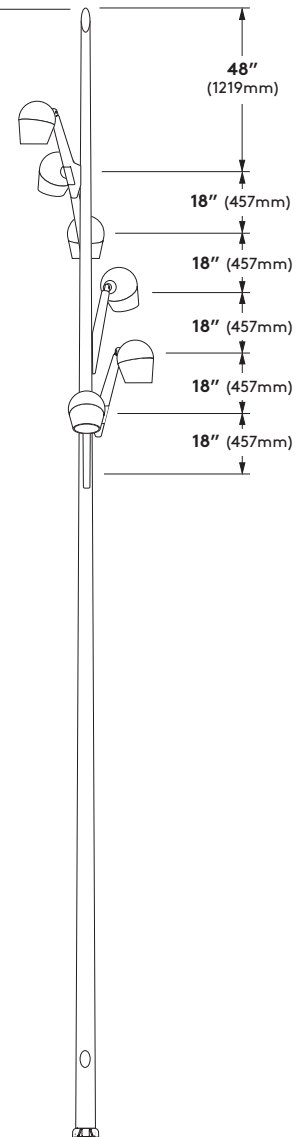
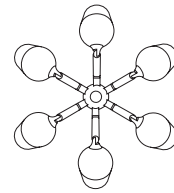
When mixing Gobo, RGBW, and standard Olivio fixtures, reference individual spec sheets to get exact weights.



Sextuple Pole Arms stepped at 60°

(Arm Locations: 0E-1I-2M-3Q-4U-5A)
 EPA = 11.1 ft² (1.03 m²)
 Rivnuts = 6 pair (RN6)

When mixing Gobo, RGBW, and standard Olivio fixtures, reference individual spec sheets to get exact weights.

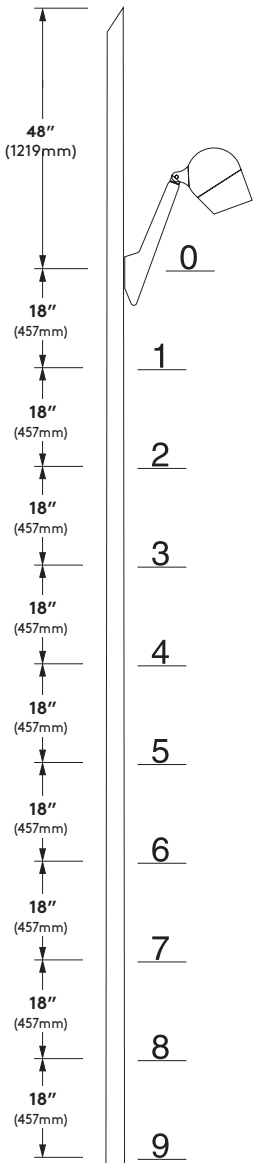


Specify Mounting Configurations

(Luminaire shown for illustrative purposes only - not to scale)

Indicate mounting location using chart provided below. Columns #0 through #9 indicate heights starting with 48" (1219mm) below top of pole and proceeding downwards in increments of 18" (457mm). Rows A through X indicate angular placement around pole starting with 0° at hand hole and proceeding clockwise.

NOTE: Arms mounted at same height level must be spaced apart at 90° minimum. Arms mounted at adjacent height levels (18" apart) must be spaced apart at 45° minimum.



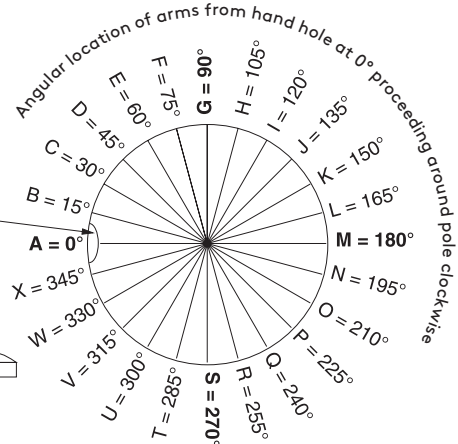
When specifying non-standard configurations, enter "SS+ total number of arms specified" on configuration matrix on page 1 in the fixture mounting field. Example: SS4 (specifying 4 mounting arms).

Build up the Mounting Arm Location Codes from chart on right ("Height Code" + "Angular Location Code") i.e. "4G"= 8 feet from top of pole, 90° clockwise from hand hole.

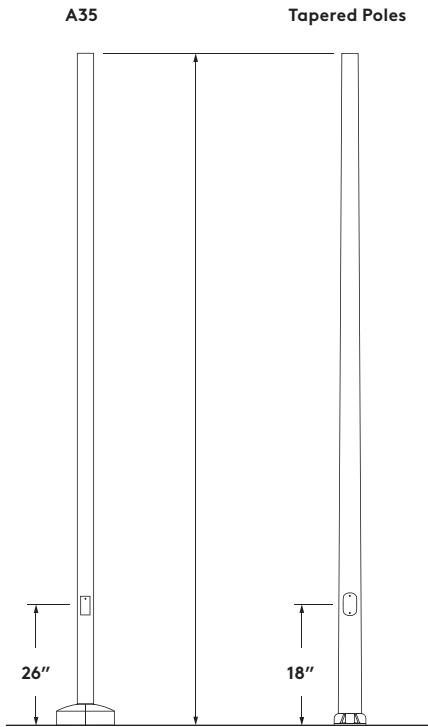
Enter Mounting Arm Location Codes on page 1 in the blanks provided that follow the pole option blanks. Example: 3G-3P-4A-5S.

HEIGHT CODE
DISTANCE FROM TOP OF POLE
CLOCKWISE FROM HAND HOLE
ANGULAR LOCATION CODE

	0	1	2	3	4	5	6	7	8	9
A	0°									
B	15°									
C	30°									
D	45°									
E	60°									
F	75°									
G	90°									
H	105°									
I	120°									
J	135°									
K	150°									
L	165°									
M	180°									
N	195°									
O	210°									
P	225°									
Q	240°									
R	255°									
S	270°									
T	285°									
U	300°									
V	315°									
W	330°									
X	345°									



Pole Information



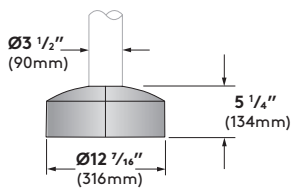
Optional Base Covers

Die cast aluminum, two piece field installable base covers

Straight Poles (O-A35-197)

BC5 Standard Base Cover

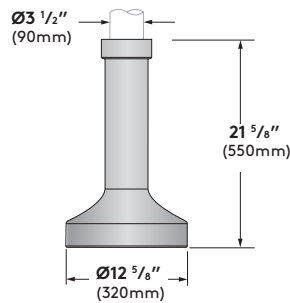
Two-piece die cast aluminum



BC1 Optional Base Cover

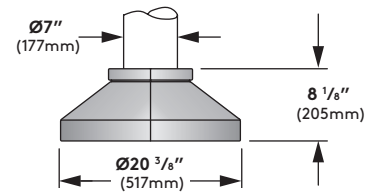
Available for: O-A35-197

One-piece die cast aluminum



BC10 - Available for:

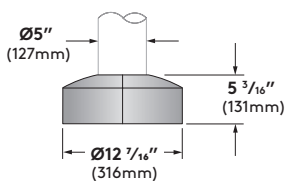
O-AT74-156



BC3 - Available for:

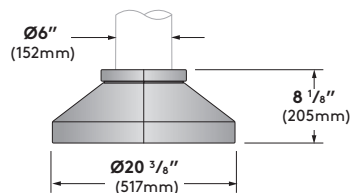
O-AT535-156

O-AT535-188



BC9 - Available for:

O-AT64-156

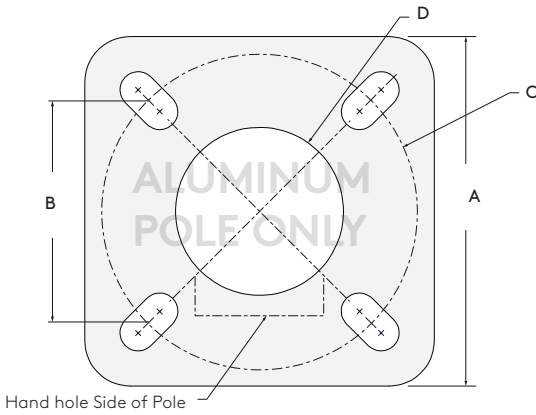


Pole Data Chart

Pole Series	Bolt Circle	Wall	Max Luminaire Weight (lbs.)	EPA Information										Height	Finish	Rivnut Pairs	Options	
				Basic Wind Speed (mph)														
				85	90	100	110	120	130	140	150	160	170					180
O-A35-197 3 1/2" Round Straight Aluminum Pole	7 3/4" (197mm)	0.197"	100	5.6	4.8	3.5	2.6	1.8	1.3	0.9	0.7	0.6	0.4	0.3	12 12ft	WH White BK Black BL Semi-Matte Black	RN1 1 pair RN2 2 pair RN3 3 pair RN4 4 pair RN5 5 pair RN6 6 pair	BC3 Die Cast Two-Piece Aluminum decorative Base Cover REC1 GFCI Receptacle with weatherproof cover REC21 GFCI Receptacle with padlockable in-use cover REC31 USB Duplex Receptacle with weatherproof cover REC41 USB & Duplex Receptacle with weatherproof padlockable in-use cover
O-AT535-156 5" to 3 1/2" Round Tapered Aluminum Pole	8 5/8" (219mm)	0.156"	75	15.2	13.4	10.5	8.4	6.9	5.8	4.9	4.2	3.6	3.2	2.8				
O-A35-197 3 1/2" Round Straight Aluminum Pole	7 3/4" (197mm)	0.197"	100	4.2	3.5	2.4	1.6	1.0	0.5	0.2	0.1	-	-	-	14 14ft	BZ Bronze SV Silver SP Specify Premium Color		
O-AT535-156 5" to 3 1/2" Round Tapered Aluminum Pole	8 5/8" (219mm)	0.156"	75	12.8	11.2	8.7	6.9	5.5	4.6	3.8	3.3	2.8	2.4	2.1				
O-AT535-156 5" to 3 1/2" Round Tapered Aluminum Pole	8 5/8" (219mm)	0.156"	75	10.5	9.1	6.9	5.4	4.3	3.4	2.9	2.4	2.0	1.7	1.5	16 16ft			
O-AT64-156 6" to 4" Round Tapered Alum Pole	9 1/2" (241mm)	0.156"	100	16.3	14.3	11.2	9.0	7.4	6.2	5.2	4.4	3.8	3.3	2.9				
O-AT535-188 5" to 3 1/2" Round Tapered Aluminum Pole	8 5/8" (219mm)	0.188"	100	10.7	9.2	7.0	5.4	4.2	3.4	2.8	2.3	2.0	1.7	1.4	18 18ft			
O-AT64-156 6" to 4" Round Tapered Aluminum Pole	9 1/2" (241mm)	0.156"	100	13.6	11.9	9.2	7.3	6.0	4.9	4.2	3.5	3.0	2.6	2.2				
O-AT74-156 7" to 4" Round Tapered Aluminum Pole	10 3/8" (268mm)	0.156"	150	19.9	17.5	13.8	11.2	9.2	7.7	6.5	5.6	4.8	4.1	3.5	20 20ft			
O-AT535-188 5" to 3 1/2" Round Tapered Aluminum Pole	8 5/8" (219mm)	0.188"	100	8.9	7.6	5.6	4.2	3.2	2.5	2.0	1.6	1.4	1.1	0.9				
O-AT64-156 6" to 4" Round Tapered Aluminum Pole	9 1/2" (241mm)	0.156"	100	11.4	9.9	7.5	5.9	4.7	3.9	3.2	2.7	2.3	1.9	1.6	22 22ft			
O-AT74-156 7" to 4" Round Tapered Aluminum Pole	10 3/8" (268mm)	0.156"	150	17.0	14.9	11.6	9.3	7.6	6.4	5.4	4.5	3.8	3.3	2.8				
O-AT74-156 7" to 4" Round Tapered Aluminum Pole	10 3/8" (268mm)	0.156"	150	13.7	11.9	9.1	7.1	5.7	4.7	3.9	3.3	2.7	2.3	1.9	24 24ft			
O-AT845-156 8" to 4.5" Round Tapered Aluminum Pole	11 5/8" (295mm)	0.156"	150	20.5	18.0	14.1	11.4	9.4	7.8	6.6	5.6	4.7	4.0	3.4				
O-AT74-156 7" to 4" Round Tapered Aluminum Pole	10 3/8" (268mm)	0.156"	150	12.7	10.9	8.3	6.5	5.2	4.2	3.5	2.9	2.4	2.0	1.6	26 26ft			
O-AT845-156 8" to 4.5" Round Tapered Aluminum Pole	11 5/8" (295mm)	0.156"	150	17.8	15.5	12.1	9.7	8.0	6.6	5.5	4.6	3.9	3.3	2.8				
O-AT845-156 8" to 4.5" Round Tapered Aluminum Pole	11 5/8" (295mm)	0.156"	150	15.4	13.4	10.3	8.2	6.7	5.5	4.6	3.8	3.1	2.6	2.1	28 28ft			
O-AT845-156 8" to 4.5" Round Tapered Alum Pole	11 5/8" (295mm)	0.156"	150	13.3	11.5	8.7	6.9	5.6	4.5	3.7	3.0	2.5	2.0	1.6				
O-AT106-188 10" to 6" Round Tapered Aluminum Pole	14 1/4" (362mm)	0.188"	200	27.4	24.2	19.2	15.5	12.7	10.4	8.6	7.1	5.9	4.8	3.9	30 30ft			
O-AT106-188 10" to 6" Round Tapered Aluminum Pole	14 1/4" (362mm)	0.188"	200	20.8	18.3	14.4	11.5	9.2	7.4	6.0	4.7	3.6	2.7	2.0				
O-AT106-188 10" to 6" Round Tapered Aluminum Pole	14 1/4" (362mm)	0.188"	200	16.7	14.6	11.3	8.9	6.9	5.4	4.1	3.1	2.2	1.4	0.7	39 39ft			

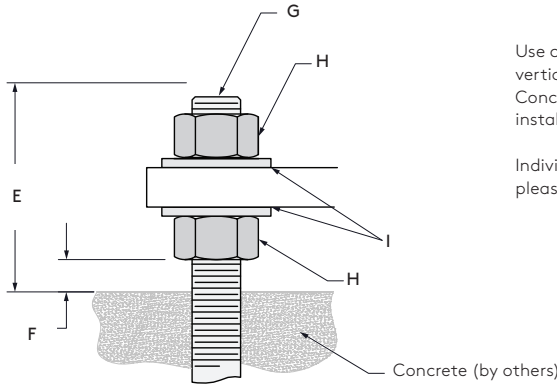
1) Maximum EPA ratings certified in accordance with AASHTO 2013 (LTS-6) for 3-s gust wind speeds based on Allowable Stress Design (ASD) analysis
 2) Consult factory for equivalent Load and Resistance Factor Design (LRFD) wind speeds
 3) Rated performance is dependant upon the pole being properly attached to a supporting foundation of adequate design

Mounting Plate Detail



Mounting Plate Details	A Base Plate SQ	B Bolt Spacing SQ	C Base Circle Ø	D Conduit Opening Ø
O-A35-197 3.5" Round Straight Alum Pole	8" (203mm)	5 1/2" (139mm)	7 3/4" (197mm)	3" (76mm)
O-AT106-188 10" to 6" Round Tapered Alum Pole	13 3/16" (335mm)	10 1/16" (256mm)	14 1/4" (362mm)	9 3/8" (244mm)
O-AT535-156 5" to 3.5" Round Tapered Alum Pole	9 5/8" (244mm)	6 1/8" (155mm)	8 5/8" (219mm)	4 3/8" (117mm)
O-AT535-188 5" to 3.5" Round Tapered Alum Pole	9 5/8" (244mm)	6 1/8" (155mm)	8 5/8" (219mm)	4 3/8" (117mm)
O-AT64-156 6" to 4" Round Tapered Alum Pole	10 3/16" (262mm)	6 3/4" (172mm)	9 1/2" (241mm)	5 1/2" (140mm)
O-AT74-156 7" to 4" Round Tapered Alum Pole	11 1/4" (286mm)	7 1/2" (190mm)	10 3/16" (268mm)	6 1/2" (165mm)
O-AT845-156 8" to 4.5" Round Tapered Alum Pole	12 1/16" (306mm)	8 1/4" (209mm)	11 5/8" (295mm)	7 1/2" (191mm)

Anchor Bolt Detail



Use caution when setting anchor bolts. Bolts must be vertically straight and centered on dimension shown. Concrete footing and feed conduit to be designed and installed by others.

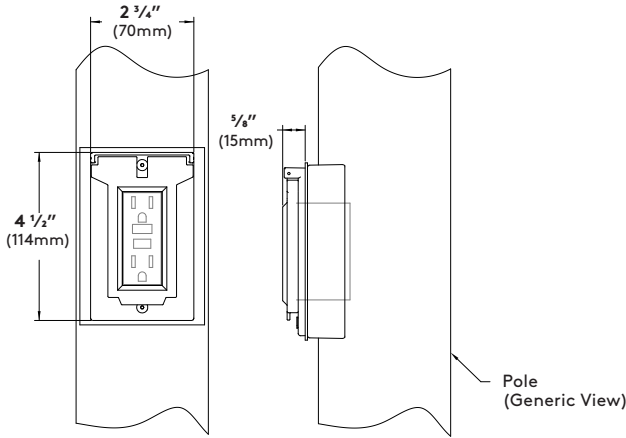
Individual 1:1 scale drawings for installation available, please consult factory.

All Hardware is Galvanized

Anchor Bolt Details	E Bolt Projection	F For Leveling	G Anchor Bolt	H Heavy Hex Nut	I Flat Washer
O-A35-197 3.5" Round Straight Alum Pole	3 1/4" (83mm)	1/2" (13mm)	3/4"-10 UNC x 17"	3/4"-10 UNC	3/4" ID
O-AT106-188 10" to 6" Round Tapered Alum Pole	4 3/4" (121mm)	5/16" (24mm)	1"-8 UNC x 36"	1"-8 UNC	1" ID
O-AT535-156 5" to 3.5" Round Tapered Alum Pole	3 1/4" (83mm)	1/2" (13mm)	3/4"-10 UNC x 17"	3/4"-10 UNC	3/4" ID
O-AT535-188 5" to 3.5" Round Tapered Alum Pole	3 1/4" (83mm)	1/2" (13mm)	3/4"-10 UNC x 17"	3/4"-10 UNC	3/4" ID
O-AT64-156 6" to 4" Round Tapered Alum Pole	3 1/2" (89mm)	1/2" (13mm)	3/4"-10 UNC x 17"	3/4"-10 UNC	3/4" ID
O-AT74-156 7" to 4" Round Tapered Alum Pole	4 1/8" (105mm)	1/2" (13mm)	1"-8 UNC x 36"	1"-8 UNC	1" ID
O-AT845-156 8" to 4.5" Round Tapered Alum Pole	4 1/8" (105mm)	1/2" (13mm)	1"-8 UNC x 36"	1"-8 UNC	1" ID

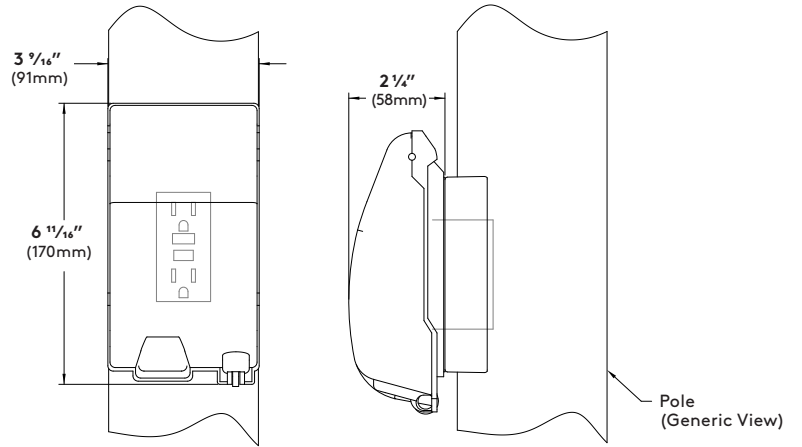
Options

REC and REC3



Cover shown in the closed position

REC2 and REC4



Cover shown in the closed position

GFCI Receptacle (REC) - 120V 15A GFCI duplex receptacle with weatherproof, self-closing cover; located 36" (915mm) o.c. from base of pole, in-line with hand hole. Receptacle is intended only for portable tools or other portable equipment to be connected to outlet only when attended by operating personnel (120V only).

USB & Duplex Receptacle (REC3) (not shown) - 120V 20A duplex receptacle with USB combination ports. (1) type A and (1) type C high power 5A, 5V USB outlets. With weatherproof, self-closing cover; located 36" (915mm) o.c. from base of pole, in-line with hand hole. Receptacle is intended only for portable tools or other portable equipment to be connected to outlet only when attended by operating personnel.

REC3 does not incorporate GFCI (Ground Fault Circuit Interrupter) protection, and shall be powered by a GFCI protected branch circuit (by others).

GFCI Receptacle (REC2) - 120V 15A GFCI duplex receptacle with weatherproof, self-closing, padlockable in-use cover; located 36" (915mm) o.c. from base of pole, in-line with hand hole. Receptacle is intended only for portable tools or other portable equipment to be connected to outlet only when attended by operating personnel (120V only).

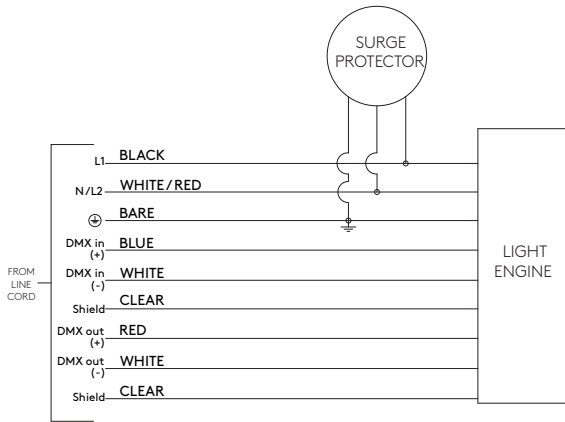
USB & Duplex Receptacle (REC4) (not shown) - 120V 20A duplex receptacle with USB combination ports. (1) type A and (1) type C high power 5A, 5V USB outlets. With weatherproof, self-closing padlockable in-use cover; located 36" (915mm) o.c. from base of pole, in-line with hand hole. Receptacle is intended only for portable tools or other portable equipment to be connected to outlet only when attended by operating personnel.

REC4 does not incorporate GFCI (Ground Fault Circuit Interrupter) protection, and shall be powered by a GFCI protected branch circuit (by others).

Wiring

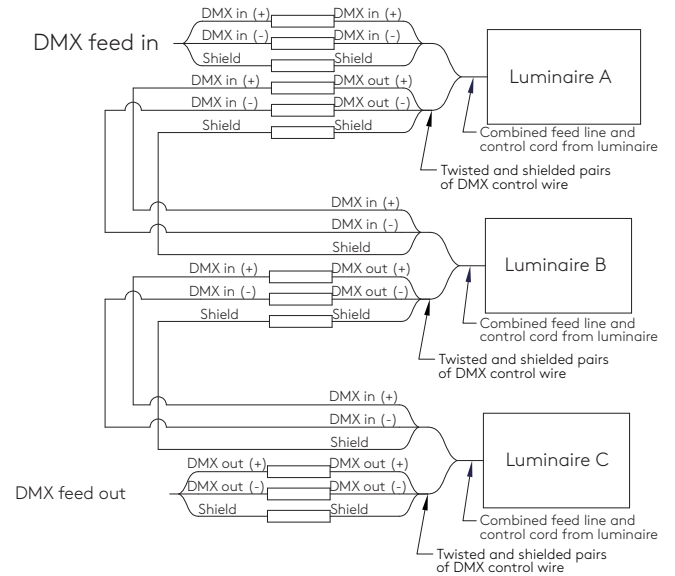
Standard Wiring (120V-277V)

(120Ω resistor is included for termination of each run)
 Luminaire equipped with combined feed cord with two twisted and shielded pairs of DMX control wire

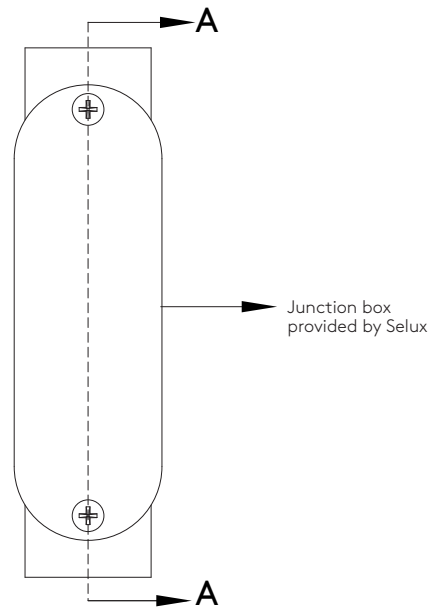
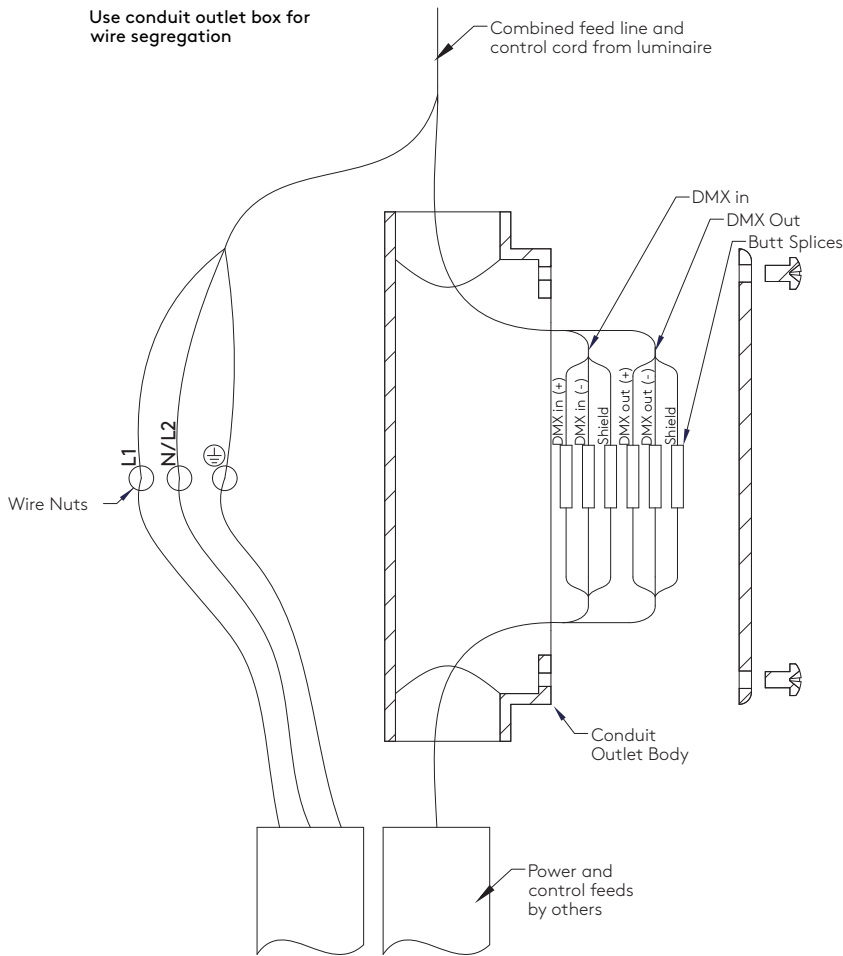


DMX Daisy-Chain Wiring

(All DMX connections to be made inside the supplied Conduit Outlet Body)



Use conduit outlet box for wire segregation



Photometry

	Olivio Grande RGBW - Narrow Beam (13°)				
	Light Engine	Lumen Output	CCT	Input Watts	lm/W
	L50	2933	White (5734K)	44	67
	L50	1692	Red	45	38
	L50	2219	Green	43	52
L50	532	Blue	45	12	

	Olivio Grande RGBW - Medium Beam (50°)				
	Light Engine	Lumen Output	CCT	Input Watts	lm/W
	L50	2933	White (5734K)	44	67
	L50	1692	Red	45	38
	L50	2219	Green	43	52
L50	532	Blue	45	12	

	Olivio Grande RGBW - Wide Beam (80°)				
	Light Engine	Lumen Output	CCT	Input Watts	lm/W
	L50	2933	White (5734K)	44	67
	L50	1692	Red	45	38
	L50	2219	Green	43	52
L50	532	Blue	45	12	

TM-21 Lifetime Calculation					
Light Engine ²	Ambient Temp (°C)	Lumen Maintenance (% at hours)			Reported L ₇₀ ¹
		25K	50K	70K	
Red ³	25°C	92.9%	82.6%	75.2%	L ₇₀ (15k) = 85,000 hours
	40°C	90.7%	83.5%	See note 4	L ₇₀ (11k) > 63,500 hours
Green ³	25°C	86.2%	78.2%	72.3%	L ₇₀ (15k) = 78,000 hours
	40°C	82.9%	74.0%	See note 4	L ₇₀ (11k) > 61,000 hours
Blue ³	25°C	85.9%	See note 4	See note 4	L ₇₀ (8k) > 42,000 hours
	40°C	86.2%	See note 4	See note 4	L ₇₀ (8k) > 42,000 hours
White	25°C	91.8%	86.5%	82.4%	L ₇₀ (10k) > 60,000 hours
	40°C	87.6%	See note 4	See note 4	L ₇₀ (6k) > 36,000 hours

¹ Calculated in accordance with IESNA TM-21-11, projected values are within 5.5x or 6x the IESNA LM-80-08 test duration

² Thermal measurements based on Order Code: OLGR-M50-U-L45-RGBW-BL-UNV

³ Data based on Cree test report (not an official LM-80-08 test)

⁴ Hours project beyond timeframe allowed by IESNA TM-21-11 based on test duration and number units tested

Finish Options

All colors are polyester powder coat paint. Custom color or RAL color available by request that meet AAMA 2604 standard.

