

Date: _____ Customer: _____

Project: _____

Type: _____ Qty: _____



Olivio Grande RGBW

Floracion Mount



Fixture Order Code:

#1	OLGR	-	-	-	-	-	-	-
#2	OLGR	-	-	-	-	-	-	-
#3	OLGR	-	-	-	-	-	-	-
#4	OLGR	-	-	-	-	-	-	-
Fixture Type #	Series	Optics	Mounting	Light Engine	CCT	Finish	Voltage	

Note:
When mixing Gobo, RGBW and Standard Olivio fixtures on one column, simply reference individual spec sheets for specific fixture order codes and include correct number of Floracion cutouts (FCx) in the column code on this page. 6 fixtures maximum.

Column Order Code:

OF-A8	-	-	-	-	-	-	-	-	-	-	-	-	-	-	-	-	-	-
Olivio Floracion nominal 8" round straight aluminum column	Height	Finish	Floracion cutout x = number of cutouts per column	Options	*Floracion Cutout Locations													
Fixture Type # _____																		
Note fixture type # under associated Floracion Cutout Location																		

*Refer to chart on page 5 for Floracion Cutout locations

OLGR	Series	OLGR Olivio Grande RGBW															
	Optics	N13 Narrow 13° Beam	M50 Medium 50° Beam	W80 Wide 80° Beam	*Refer to page 10 for photometric information												
	Mounting	Fx Floracion Cutouts (x = number of cutouts per column)															
	Light Engine	L50 50W max															
	CCT	RGBW Red, Green, Blue, White														*Refer to page 10 for photometric information	
	Finish	WH White	BK Black	BL Semi-Matte Black	BZ Bronze	SV Silver	SP Specify Premium Color										
	Voltage	UNV 120V-277V															

Product Modifications

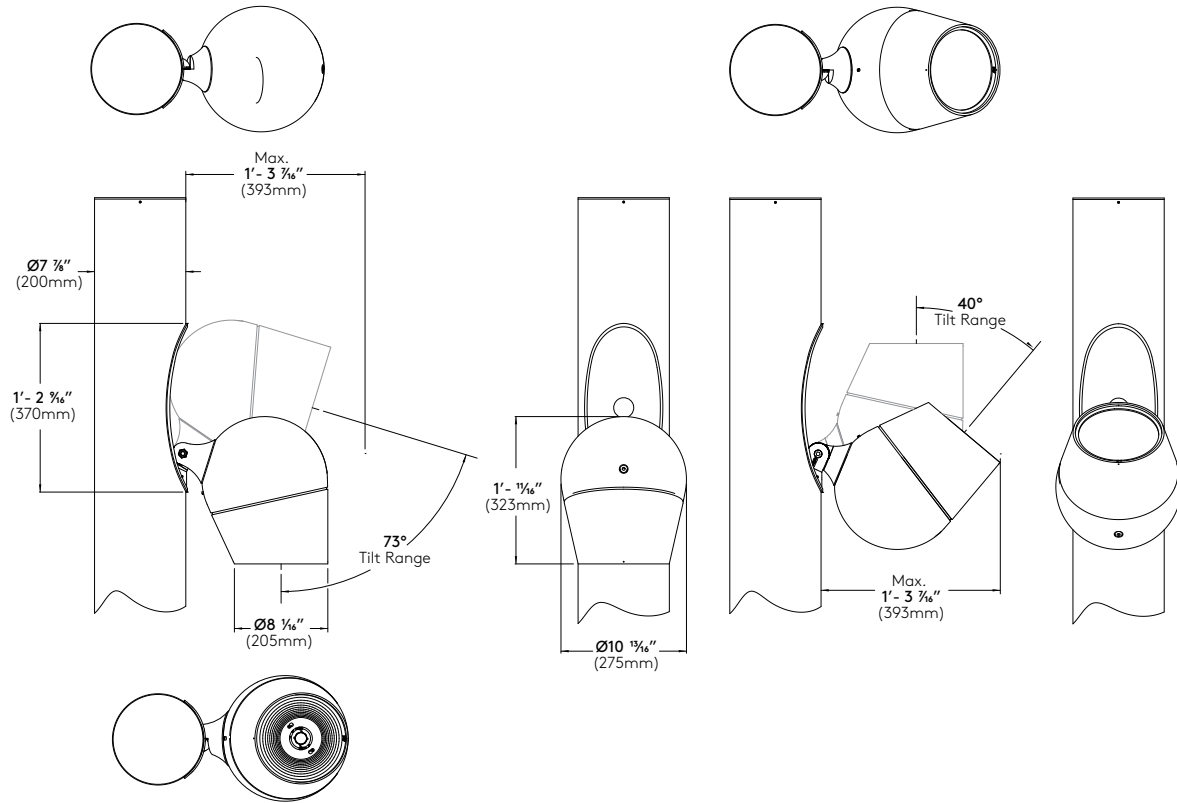
Please list modification requirements for review by factory:

Approvals



Date: _____

OLGR-XX-F1



Specifications

Luminaire Housing - Two-piece high-pressure die-cast housing, made of low-copper aluminum alloy. Single recessed captive screw allows easy access to light engine & gear tray components.

Gasketing - UV and ozone-resistant, silicone gasket between fixture housing and lens base provide IP67 level ingress protection. IP rated micro-membrane ensures pressure compensation.

Lens - Tempered clear glass lens.

LED Light Engine - Mid-power Red, Green, Blue and White (5734K) LEDs mounted to aluminum core PCB. DMX LED driver with 50 watt max output. Precision reflectors provide Narrow Beam (N13 / 13°), Medium Beam (M50 / 50°), or Wide Beam (W80 / 80°) distributions.

LED Driver - LEDs are driven by RoHS compliant high-efficiency DMX driver. Excellent for cold temperature starting and instant on. Suitable for ambient temperatures from -20C to +40C. Do not exceed 50W max power limit

Surge Protector - Designed to protect luminaire from electrical surge up to 20kA.

Floracion Mount - Recessed cast aluminum pocket with fixture joint for adjustable rotation and tilt. Fixture head joint provides tilt range from 0° - 73° and rotation up to 360° depending on tilt angle. Locks down with stainless steel set screws.

Power Cord - (not shown) Pre-installed at factory and hidden through the luminaire hinge and hinge arm. Power cords are specified to fit the length of the pole specified with the luminaire. Power and DMX cables segregated with electrical box at lower hand hole.

Exterior Luminaire Finish -Selux utilizes a high quality Polyester Powder Coating. All Selux luminaires and poles are finished in our Tiger Drylac certified facility and undergo a five stage intensive pretreatment process where product is thoroughly cleaned, phosphated and sealed. Selux powder coated products provide excellent salt and humidity resistance as well as ultraviolet resistance for color retention. All products are tested in accordance with test specifications for coatings from ASTM and PCI. Standard exterior colors are White (WH), Black (BK), Semi-Matte Black (BL), Bronze (BZ), and Silver (SV). Selux premium colors (SP) are available, please specify from your Selux color selection guide.

5 Year Limited LED Luminaire Warranty - Selux offers a 5 Year Limited Warranty to the original purchaser that the Olivio LED luminaire shall be free from defects in material and workmanship for up to five (5) years from date of shipment. This limited warranty covers the LED driver and LED Light engine when installed and operated according to Selux instructions. For details, see "Selux Terms and Condition of Sale."

Listings and Ratings: Luminaire and LED tested to IP67 standards. LED tested to LM-80 standards.

NRTL Listed for wet location (i.e. UL, CSA)

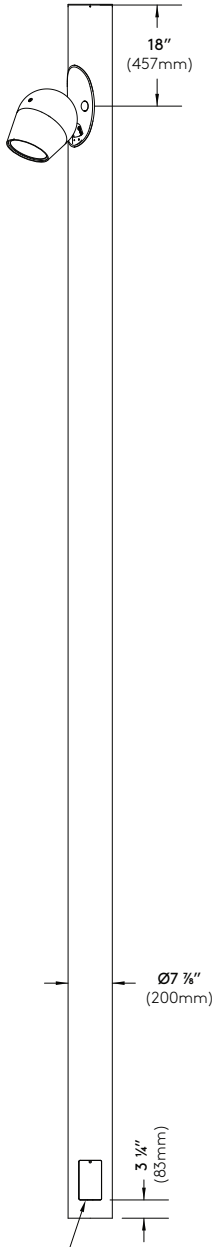
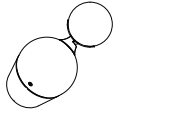
Visit selux.us for our LED End of Life recycling policy.

For Buy American compliance on poles, please consult the factory.

Mounting

Single

(Cutout Locations: 0D)
 Floracion Cutouts = 1 (FC1)
 Weight = 32.3 lbs (15 kg)

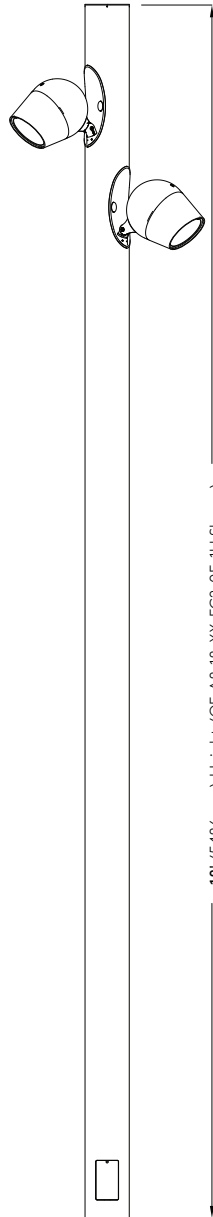
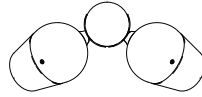


4"x7" (102mm x 178mm)
 Hand hole provided with flush cover and stainless steel tamper-resistant hardware.

Double at 120

(Cutout Locations: 0E-1U)
 Floracion Cutouts = 2 (FC2)

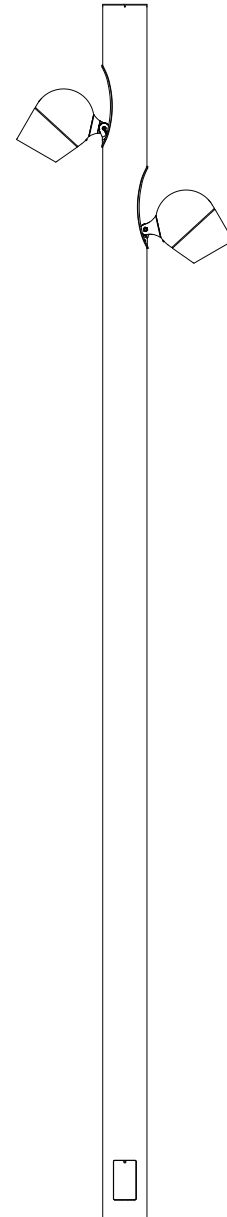
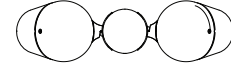
When mixing Gobo, RGBW, and Standard Olivio fixtures, reference individual spec sheets to get exact weights



Double at 180

(Cutout Locations: 0G-1S)
 Floracion Cutouts = 2 (FC2)

When mixing Gobo, RGBW, and Standard Olivio fixtures, reference individual spec sheets to get exact weights

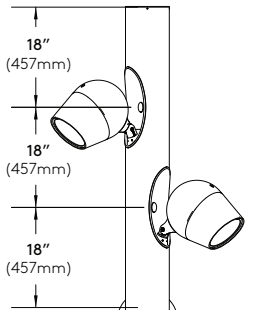
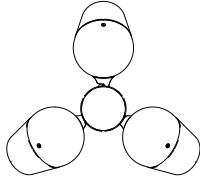


Mounting Configurations

Triple at 120°

(Cutout Locations: 0E-1U-2M)
 Floracion Cutouts = 3 (FC3)
 Weight = 96.9 lbs (45 kg)

When mixing Gobo, RGBW, and Standard Olivio fixtures, reference individual spec sheets to get exact weights



Ø 7 1/8" (200mm)

3 1/4" (83mm)

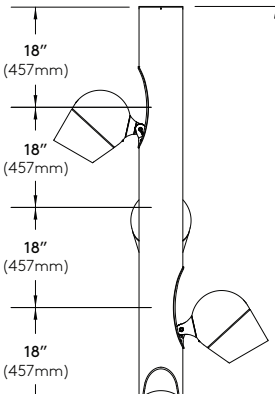
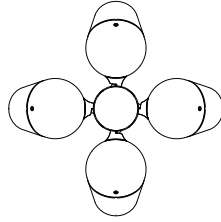
4"x7" (102mm x 178mm)

Hand hole provided with flush cover and stainless steel tamper-resistant hardware.

Quadruple at 90°

(Cutout Locations: 0G-1M-2S-3A)
 Floracion Cutouts = 4 (FC4)
 Weight = 129.2 lbs (60 kg)

When mixing Gobo, RGBW, and Standard Olivio fixtures, reference individual spec sheets to get exact weights

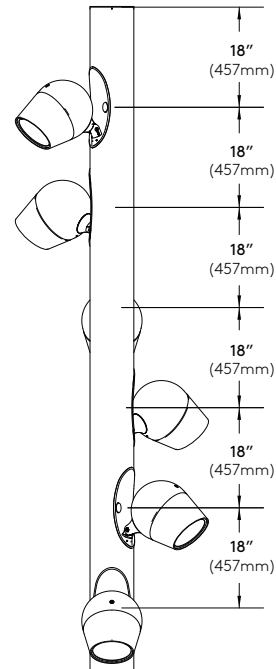
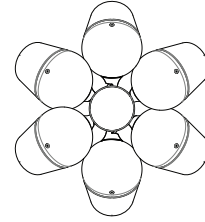


18' (5486mm) Height (OF-A8-18-XX-FC4-0G-1M-2S-3A Shown)

Sextuple at 60°

(Cutout Locations: 0E-1I-2M-3Q-4U-5A)
 Floracion Cutouts = 6 (FC6)
 Weight = 193.8 lbs (90 kg)

When mixing Gobo, RGBW, and Standard Olivio fixtures, reference individual spec sheets to get exact weights



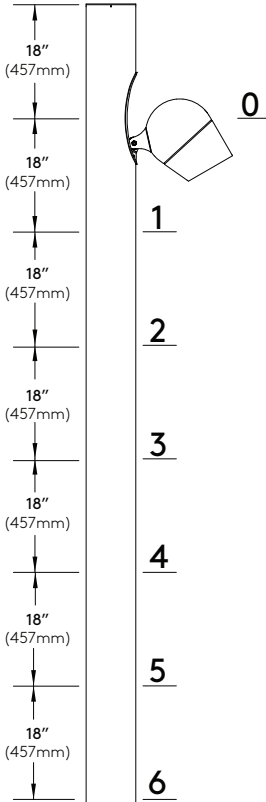
Specify Mounting Configurations

(Luminaire shown for illustrative purposes only - not to scale)

HEIGHT CODE
 DISTANCE FROM TOP OF POLE
 CLOCKWISE FROM HAND HOLE
 ANGULAR LOCATION CODE

Indicate mounting locations using provided chart below. Columns #0 through #6 indicate heights starting with 18" (457mm) below top of pole and proceeding downwards in increments of 18" (457mm). Rows A through X indicate angular placement around column starting with 0° at hand hole and proceeding clockwise.

NOTE: Cutouts must be spaced a minimum of 18" apart. Cutouts be at least 7.5ft from base. Maximum of 6 cutouts per column. Due to required must spacing, column height may reduce the maximum number of cutouts allowed.

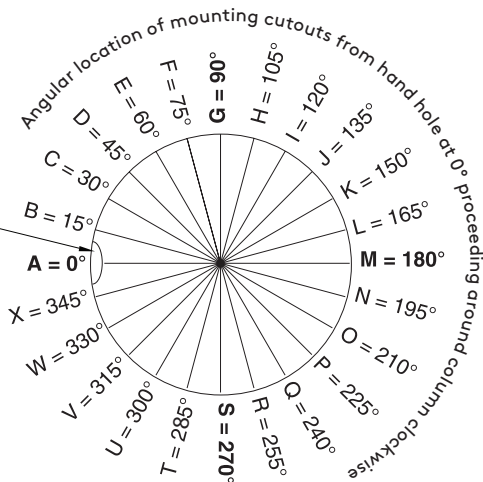


When specifying non-standard configurations, enter "F+ total number of cutouts specified" on configuration matrix on page 1 in the fixture mounting field. Example: F4 (specifying 4 cutouts)

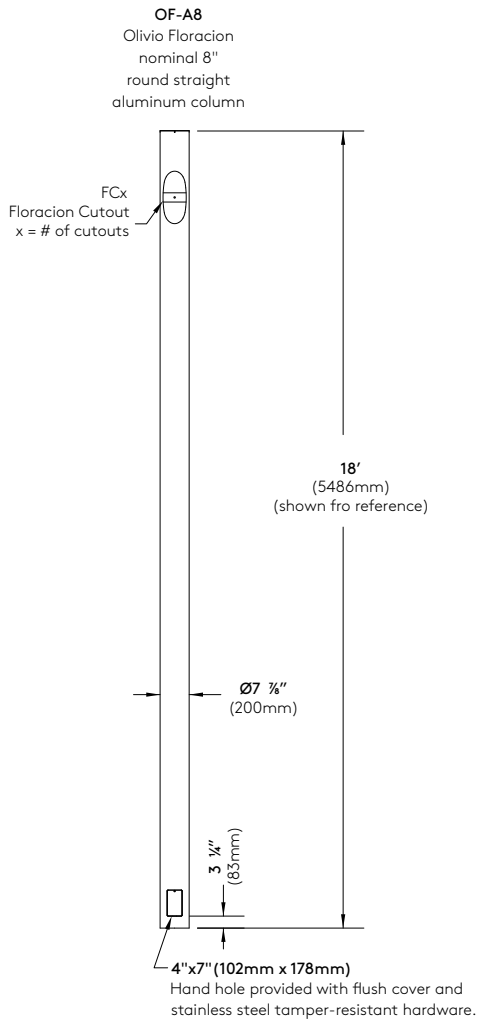
Build up the Mounting Cutouts Location Codes from chart on right ("Height Code" + "Angular Location Code") i.e. "4G"=7.5 feet from top of column, 90° clockwise from hand hole.

Enter Mounting Cutouts Location Codes on page 1 in the blanks provided that follow the column option blanks. Example: 1G-2P-4A-5S

		0	1	2	3	4	5	6
		1.5'	3'	4.5'	6'	7.5'	9'	10.5'
A	0°							
B	15°							
C	30°							
D	45°							
E	60°							
F	75°							
G	90°							
H	105°							
I	120°							
J	135°							
K	150°							
L	165°							
M	180°							
N	195°							
O	210°							
P	225°							
Q	240°							
R	255°							
S	270°							
T	285°							
U	300°							
V	315°							
W	330°							
X	345°							



Pole Information



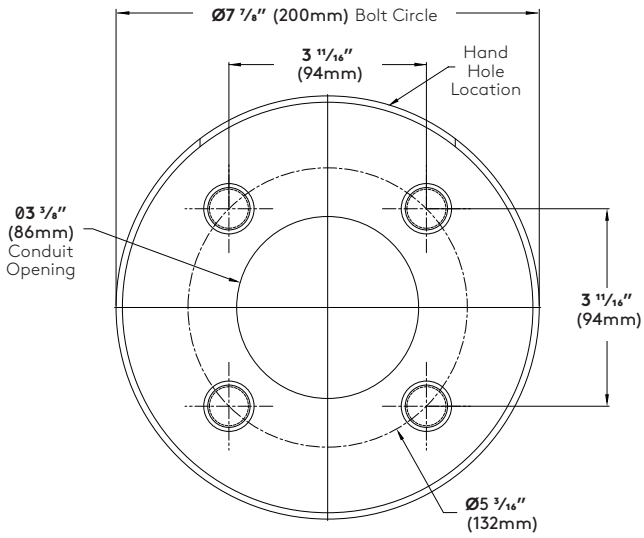
Column Data Chart

Column Series	Overall Column Height	Maximum Wind Speed	Finish	Floracion Cutouts	Options
OF-A8 Olivio Floracion 8" Round Straight Aluminum Column	10 ft (up to 1 OLG)	180 mph	WH White	FC1 1 cutout	REC1 ¹ GFCI Receptacle with weatherproof cover
	12 ft (up to 2 OLG)	180 mph	BK Black	FC2 2 cutouts	REC2 ¹ GFCI Receptacle with padlockable in-use cover
	14 ft (up to 4 OLG)	140 mph	BL Semi-Matte Black	FC3 3 cutouts	REC3 ¹ USB & Duplex Receptacle with weatherproof cover
	16 ft (up to 5 OLG)	120 mph	BZ Bronze	FC4 4 cutouts	REC4 ¹ USB & Duplex Receptacle with weatherproof padlockable in-use cover
	18 ft (up to 6 OLG)	100 mph	SV Silver	FC5 5 cutouts	¹ See page 8 for details
		SP Specify Premium Color	FC6 6 cutouts See page 5 for limitations		

1) Maximum Basic Wind Speed certified in accordance with AASHTO 2013 (LTS-6).
 2) Values are nominal 3-s gust wind speeds in accordance with ASCE 7-05 for Allowable Stress Design (ASD) analysis.
 3) Consult factory for equivalent Load and Resistance Factor Design (LRFD) wind speeds.
 4) Rated performance is dependant upon the column being properly attached to a supporting structure of adequate design.
 5) Rated performance based on maximum number of Olivio Grande luminaires per mounting height.

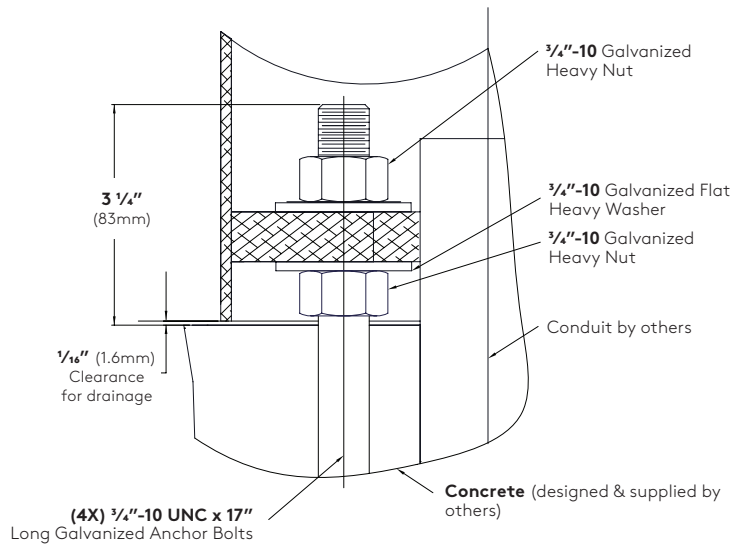
Mounting Plate Details

Bolt Circle



Note: Adequate drainage must be provided in concrete foundation.

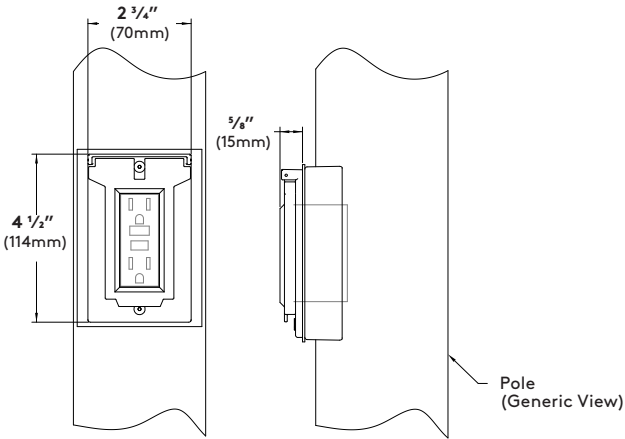
Anchor Bolt Detail



Bolt Projection Detail (Not to Scale)

Options

REC and REC3



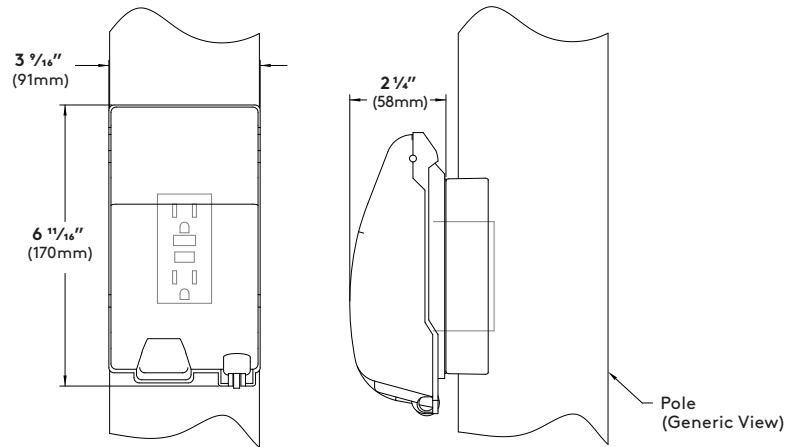
Cover shown in the closed position

GFCI Receptacle (REC) - 120V 15A GFCI duplex receptacle with weatherproof, self-closing cover; located 36" (915mm) o.c. from base of pole, in-line with hand hole. Receptacle is intended only for portable tools or other portable equipment to be connected to outlet only when attended by operating personnel (120V only).

USB & Duplex Receptacle (REC3) (not shown) - 120V 20A duplex receptacle with USB combination ports. (1) type A and (1) type C high power 5A, 5V USB outlets. With weatherproof, self-closing cover; located 36" (915mm) o.c. from base of pole, in-line with hand hole. Receptacle is intended only for portable tools or other portable equipment to be connected to outlet only when attended by operating personnel.

REC3 does not incorporate GFCI (Ground Fault Circuit Interrupter) protection, and shall be powered by a GFCI protected branch circuit (by others).

REC2 and REC4



Cover shown in the closed position

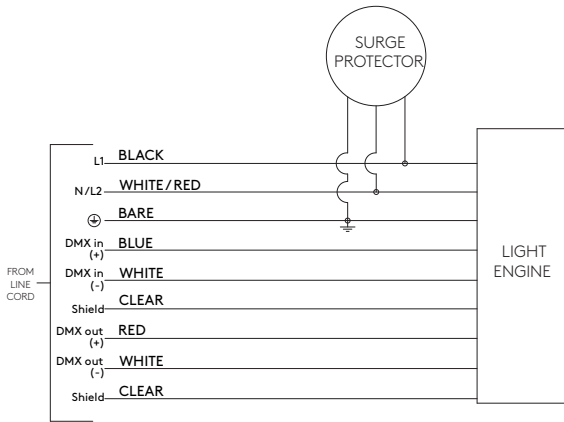
GFCI Receptacle (REC2) - 120V 15A GFCI duplex receptacle with weatherproof, self-closing, padlockable in-use cover; located 36" (915mm) o.c. from base of pole, in-line with hand hole. Receptacle is intended only for portable tools or other portable equipment to be connected to outlet only when attended by operating personnel (120V only).

USB & Duplex Receptacle (REC4) (not shown) - 120V 20A duplex receptacle with USB combination ports. (1) type A and (1) type C high power 5A, 5V USB outlets. With weatherproof, self-closing padlockable in-use cover; located 36" (915mm) o.c. from base of pole, in-line with hand hole. Receptacle is intended only for portable tools or other portable equipment to be connected to outlet only when attended by operating personnel.

REC4 does not incorporate GFCI (Ground Fault Circuit Interrupter) protection, and shall be powered by a GFCI protected branch circuit (by others).

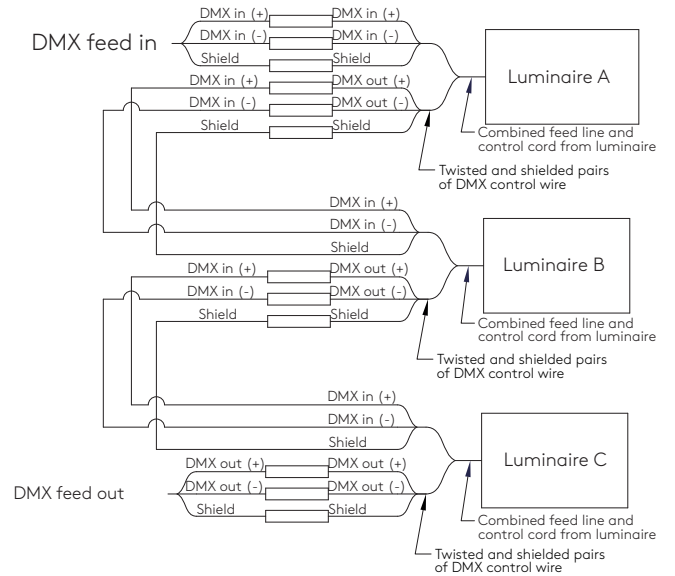
Standard Wiring (120V-277V)

(120Ω resistor is included for termination of each run)
 Luminaire equipped with combined feed cord with two twisted and shielded pairs of DMX control wire

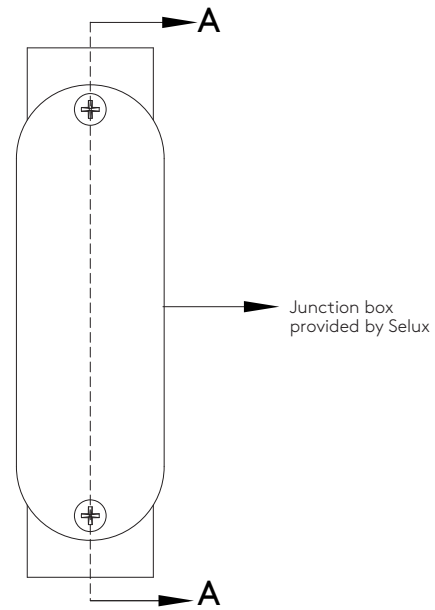
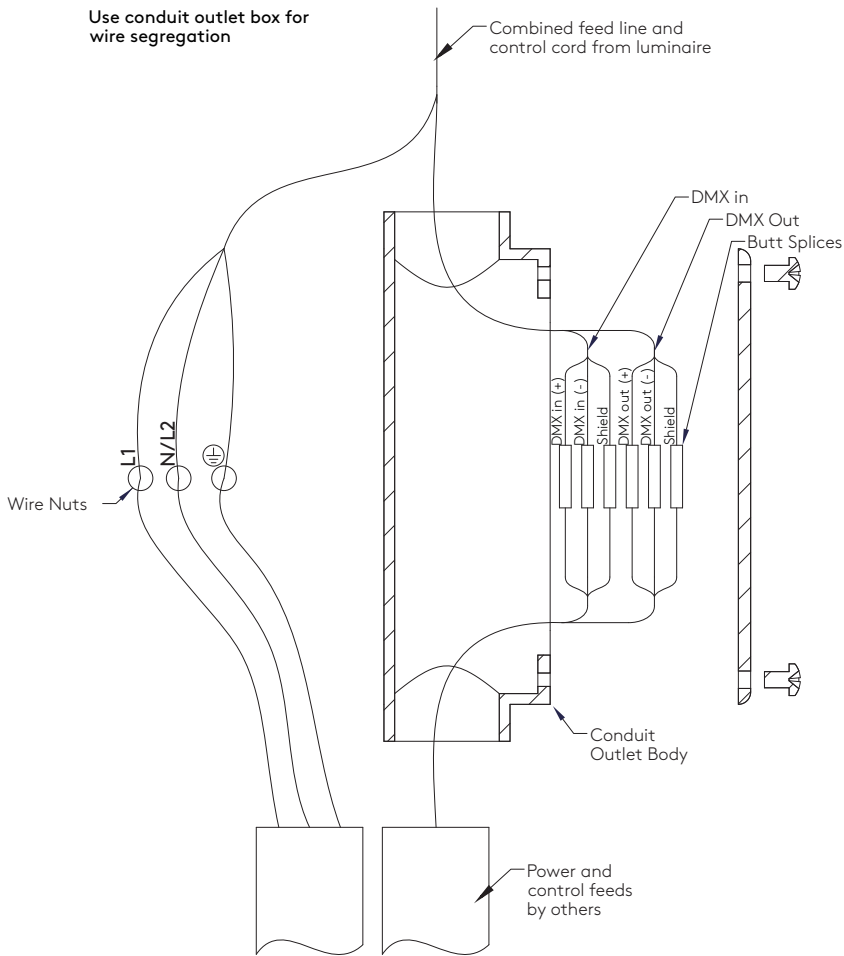


DMX Daisy-Chain Wiring

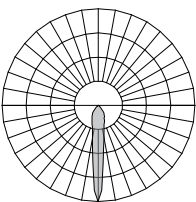
(All DMX connections to be made inside the supplied Conduit Outlet Body)

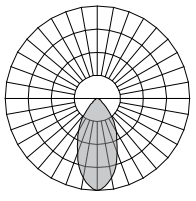


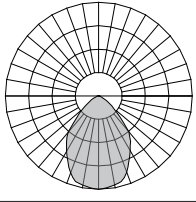
Use conduit outlet box for wire segregation



Photometry

	Olivio Grande RGBW - Narrow Beam (13°)				
	Light Engine	Lumen Output	CCT	Input Watts	lm/W
	L50	2933	White (5734K)	44	67
	L50	1692	Red	45	38
	L50	2219	Green	43	52
	L50	532	Blue	45	12

	Olivio Grande RGBW - Medium Beam (50°)				
	Light Engine	Lumen Output	CCT	Input Watts	lm/W
	L50	2933	White (5734K)	44	67
	L50	1692	Red	45	38
	L50	2219	Green	43	52
	L50	532	Blue	45	12

	Olivio Grande RGBW - Wide Beam (80°)				
	Light Engine	Lumen Output	CCT	Input Watts	lm/W
	L50	2933	White (5734K)	44	67
	L50	1692	Red	45	38
	L50	2219	Green	43	52
	L50	532	Blue	45	12

TM-21 Lifetime Calculation					
Light Engine ²	Ambient Temp (°C)	Lumen Maintenance (% at hours)			Reported L ₇₀ ¹
		25K	50K	70K	
Red ³	25°C	92.9%	82.6%	75.2%	L ₇₀ (15k) = 85,000 hours
	40°C	90.7%	83.5%	See note 4	L ₇₀ (11k) > 63,500 hours
Green ³	25°C	86.2%	78.2%	72.3%	L ₇₀ (15k) = 78,000 hours
	40°C	82.9%	74.0%	See note 4	L ₇₀ (11k) > 61,000 hours
Blue ³	25°C	85.9%	See note 4	See note 4	L ₇₀ (8k) > 42,000 hours
	40°C	86.2%	See note 4	See note 4	L ₇₀ (8k) > 42,000 hours
White	25°C	91.8%	86.5%	82.4%	L ₇₀ (10k) > 60,000 hours
	40°C	87.6%	See note 4	See note 4	L ₇₀ (6k) > 36,000 hours

¹ Calculated in accordance with IESNA TM-21-11, projected values are within 5.5x or 6x the IESNA LM-80-08 test duration

² Thermal measurements based on Order Code: OLGR-M50-U-L45-RGBW-BL-UNV

³ Data based on Cree test report (not an official LM-80-08 test)

⁴ Hours project beyond timeframe allowed by IESNA TM-21-11 based on test duration and number units tested

Finish Options

All colors are polyester powder coat paint. Custom color or RAL color available by request that meet AAMA 2604 standard.

