

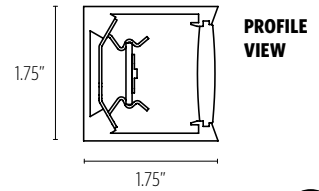
Stealth™

PENDANT



FEATURES

- AVAILABLE WITH TUNABLE WHITE AND RGBW LIGHT SOURCES
- 1.75" MINIMAL SQUARE PROFILE SIZE
- SILICONE DIFFUSER ELIMINATES LIGHT LEAKS AND VISIBLE SEAMS
- FIELD REPLACEABLE LED ARRAYS AND DRIVER(S) FOR SIMPLE MAINTENANCE
- FIXTURES CAN BE CLUSTERED TOGETHER TO CREATE LARGE SCALE INSTALLATIONS
- CUSTOM SIZES, SHAPES, AND CONFIGURATIONS ARE POSSIBLE



MADE IN USA

CATALOG CODES

A	B	C	MW	E	F	UNV	H	I	J
SERIES	HANGING SYSTEM	SIZE	DIFFUSER	FINISH	LIGHT SOURCE	VOLTAGE	OAH	CONTROL	OPTIONS

SPECIFY CATALOG CODE				
A	B	C	D	E
SERIES	HANGING SYSTEM	SIZE	DIFFUSER	FINISH
SE1 STEALTH INNER SE2 STEALTH OUTER SE3 STEALTH DOWN	PISB PENDANT WITH ANGLED AIRCRAFT CABLES AND POWER CORD TO SQUARE CANOPY WITH INTEGRAL DRIVER; MOUNTS TO 4X4 OCTAGON J-BOX (BY OTHERS) NOTE: STATIC WHITE ONLY PISC PENDANT WITH ANGLED AIRCRAFT CABLES AND POWER CORD TO SQUARE CANOPY; MOUNTS TO 4X4 OCTAGON J-BOX (BY OTHERS); REMOTE DRIVER ENCLOSURE PIEM PENDANT WITH VERTICAL AIRCRAFT CABLES TO SEPARATE MOUNTING POINTS AND POWER CORD TO CANOPY; MOUNTS TO 4X4 OCTAGON J-BOX (BY OTHERS); REMOTE DRIVER ENCLOSURE PISA PENDANT WITH VERTICAL AIRCRAFT CABLES TO SEPARATE MOUNTING POINTS AND POWER CORD TO SQUARE CANOPY WITH INTEGRAL DRIVER; MOUNTS TO 4X4 OCTAGON J-BOX (BY OTHERS) NOTE: STATIC WHITE ONLY	24 36 48 60 72	MW MATTE WHITE	POWDER COAT FINISHES BKP BLACK MWP MATTE WHITE BMP BRASS METALLIC SGP STEEL GRAY BNP BRONZE SMP SILVER METALLIC BTP BLACK TEXTURED SWP SKY WHITE GRP GRAPHITE WTP WHITE TEXTURED GLP GOLDTASTIC PREMIUM METAL FINISHES BAL BRUSHED ALUMINUM

F		G	H	I		J	
LIGHT SOURCE		VOLTAGE	OAH*	CONTROL		OPTIONS	
LED OUTPUT LED1 LED2	COLOR TEMP 27K 30K 35K 40K	UNV 120-277	48 100 144	DM1 0-10V DIMMING 1% DM8 DUAL 0-10V DIMMABLE TO 0.1% DALI DALI TYPE 8 CONTROL SYSTEM, DIMMABLE TO 0.1% DMX DMX CONTROL; DIMMABLE TO 0.1%	ULD DAMP LABEL MOD MODIFIED LUMINAIRE (CONTACT LOCAL REP)		
TWH1	TUNABLE WHITE 2700K - 6500K CRI=90+ R9=50+						
RGBW	RGBW						

SAMPLE CODE: SE1-PIEM-36-MW-WTP-LED1/30K-UNV-100-DM1-PBK

*Ships with one of three OAH's (48", 100" or 144") and is field adjustable to the desired height
 Fixtures with PIEM hanging system, canopy will be MWP unless specified.
 Fixtures with PISB, PISC and PISA hanging system, canopy will match finish choice.
 Power cord silver unless specified.

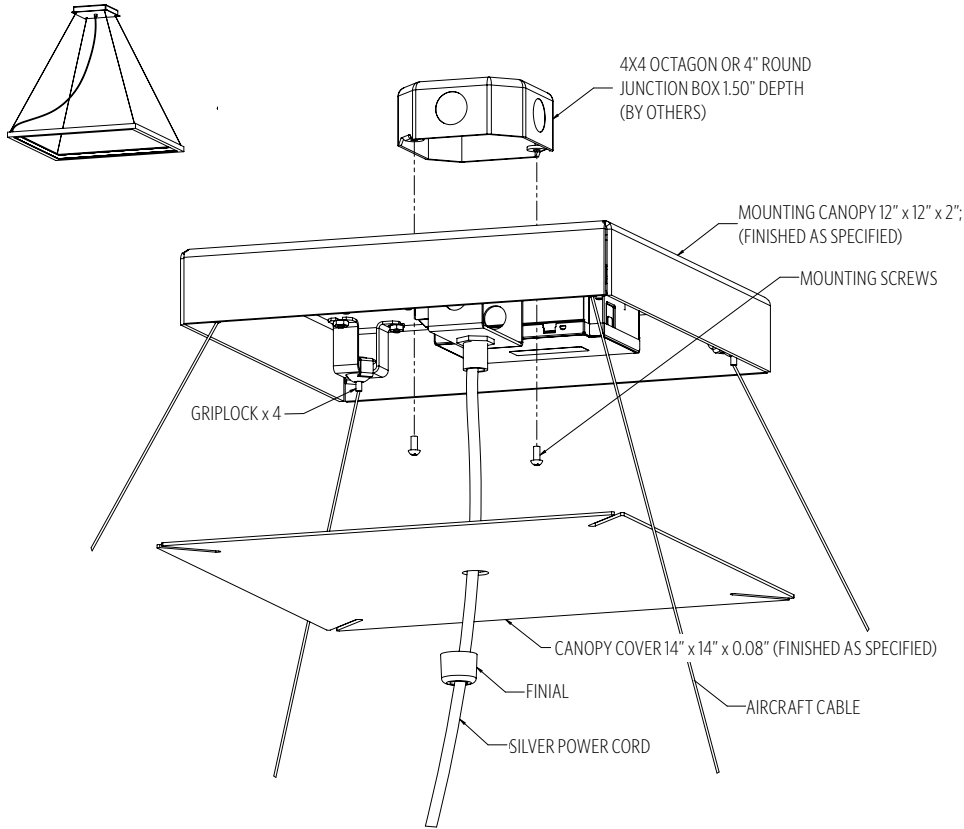
MODS, NOTES, & COMMENTS



This product meets the material restrictions of Article 4 of the RoHS Directive (2011/65/EU), including Commission Delegated Directive 2015/863

HANGING SYSTEM

P1SB PENDANT WITH ANGLED AIRCRAFT CABLES AND POWER CORD TO SQUARE CANOPY WITH INTEGRAL DRIVER; MOUNTS TO 4X4 OCTAGON J-BOX (BY OTHERS)

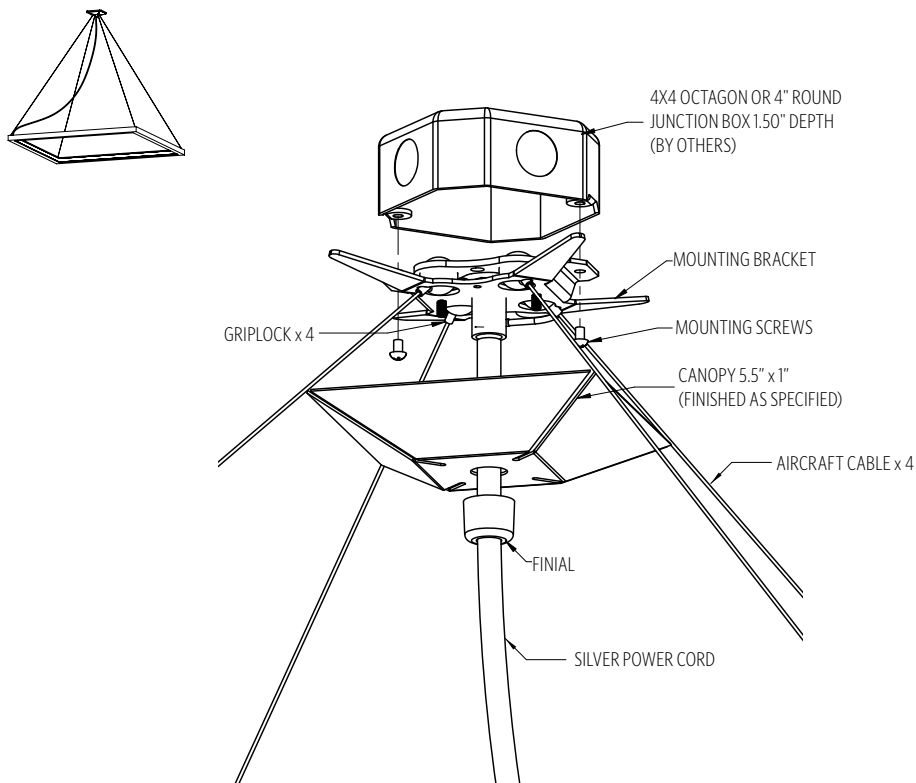


MOUNTING INFORMATION CHART

LUMINAIRE SIZE	LUMINAIRE WEIGHT	MOUNTING POINTS	MIN/MAX OAH
24"	12 LBS	1	8"/144"
36"	14 LBS	1	15"/144"
48"	16 LBS	1	22"/144"
60"	18 LBS	1	26"/144"
72"	21 LBS	1	32"/144"

* P1SB ships with one of three OAH's (48", 100" or 144") and is field adjustable to the desired height. For OAH over 144", contact your local rep

P1SC PENDANT WITH ANGLED AIRCRAFT CABLES AND POWER CORD TO SQUARE CANOPY; MOUNTS TO 4X4 OCTAGON J-BOX (BY OTHERS); REMOTE DRIVER ENCLOSURE



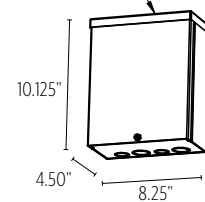
MOUNTING INFORMATION CHART

LUMINAIRE SIZE	LUMINAIRE WEIGHT	MOUNTING POINTS	MIN/MAX OAH
24"	12 LBS	1	10"/144"
36"	14 LBS	1	12"/144"
48"	16 LBS	1	19"/144"
60"	18 LBS	1	38"/144"
72"	21 LBS	1	46"/144"

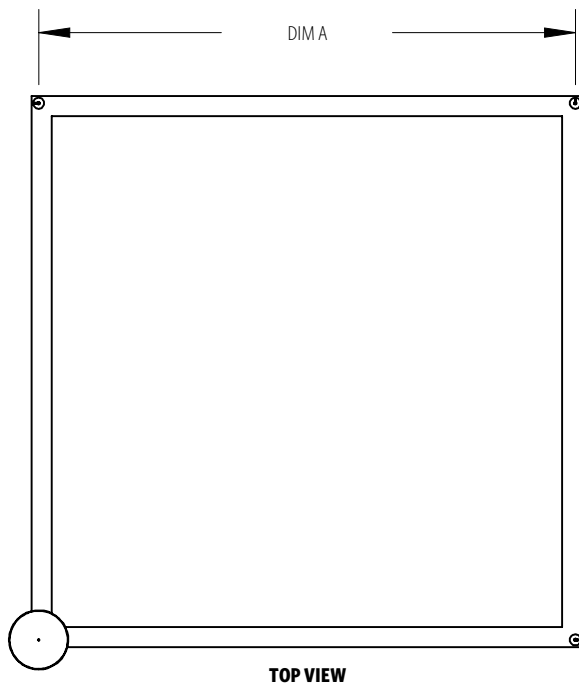
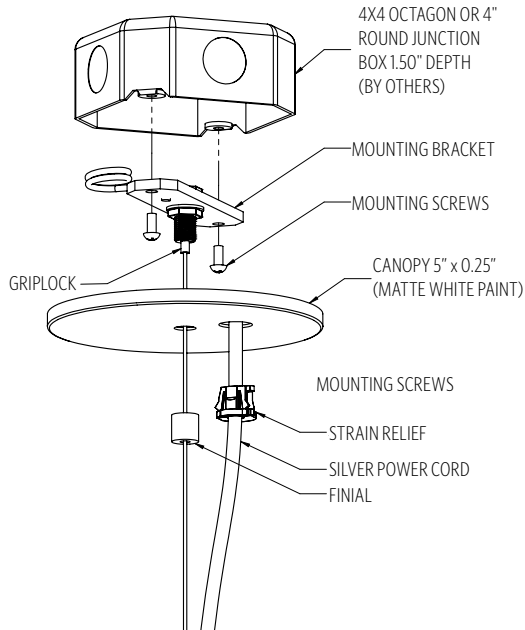
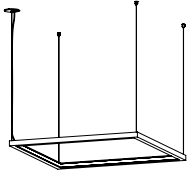
* P1SC ships with one of three OAH's (48", 100" or 144") and is field adjustable to the desired height. For OAH over 144", contact your local rep.

P1SC will include ETL listed enclosure for remote mounting drivers. Max 30' distance from luminaire for **DM1, DM8, DALI** and **DMX**. Enclosure must remain accessible after installation. For **RGBW** remote box distance, contact your local rep

REMOTE DRIVER HOUSING ENCLOSURE (PROVIDED BY OCL)



PIEM PENDANT WITH VERTICAL AIRCRAFT CABLES TO SEPARATE MOUNTING POINTS AND POWER CORD TO CANOPY; MOUNTS TO 4X4 OCTAGON J-BOX (BY OTHERS); REMOTE DRIVER ENCLOSURE



STATIC WHITE AND TWH1 MOUNTING INFORMATION CHART

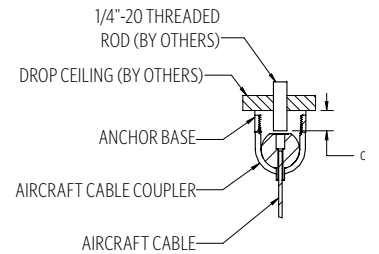
LUMINAIRE SIZE	LUMINAIRE WEIGHT	SE1 MOUNTING DISTANCE DIM A	SE2 MOUNTING DISTANCE DIM A	SE3 MOUNTING DISTANCE DIM A	MOUNTING POINTS	MIN/MAX OAH
24"	7 LBS	22.375	21.25	22.063	4	5"/144"
36"	12 LBS	34.375	33.25	34.063	4	5"/144"
48"	18 LBS	46.375	45.25	46.063	4	5"/144"
60"	22 LBS	58.375	57.25	58.063	4	5"/144"
72"	26 LBS	70.375	69.25	70.063	4	5"/144"

RGBW MOUNTING INFORMATION CHART

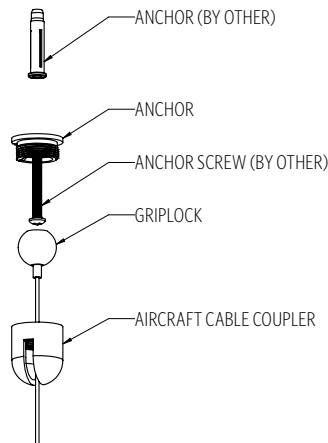
LUMINAIRE SIZE	LUMINAIRE WEIGHT	SE1 MOUNTING DISTANCE DIM A	SE2 MOUNTING DISTANCE DIM A	SE3 MOUNTING DISTANCE DIM A	MOUNTING POINTS	MIN/MAX OAH
24"	7 LBS	20.188	18.938	19.75	4	5"/144"
36"	12 LBS	32	30.75	31.563	4	5"/144"
48"	18 LBS	43.813	42.563	43.375	4	5"/144"
60"	22 LBS	55.563	54.375	55.188	4	5"/144"
72"	26 LBS	67.438	66.188	67	4	5"/144"

* PIEM ships with one of three OAH's (48", 100" or 144") and is field adjustable to the desired height. For OAH over 144", contact your local rep

PIEM will include ETL listed enclosure for remote mounting drivers. Max 30' distance from luminaire for **DM1, DM8, DALI** and **DMX**. Enclosure must remain accessible after installation. For **RGBW** remote box distance, contact factory

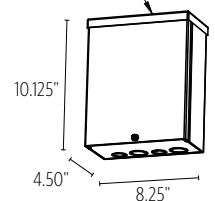


DROP CEILING

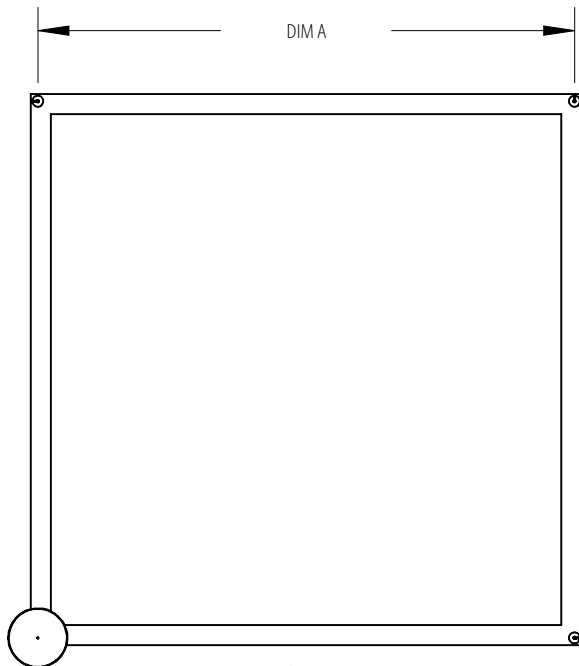
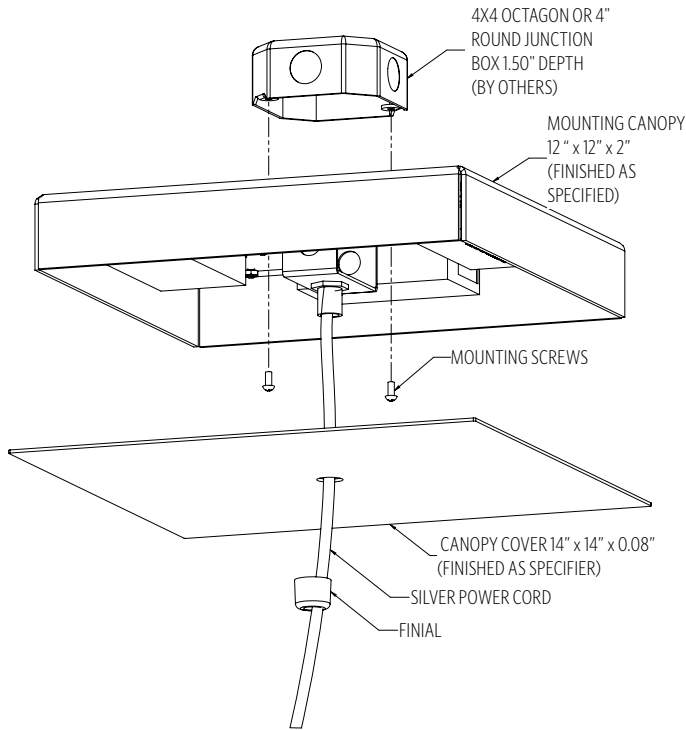
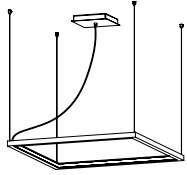


HARD CEILING

REMOTE DRIVER HOUSING ENCLOSURE (PROVIDED BY OCL)



P1SA PENDANT WITH VERTICAL AIRCRAFT CABLES TO SEPARATE MOUNTING POINTS AND POWER CORD TO SQUARE CANOPY WITH INTEGRAL DRIVER; MOUNTS TO 4X4 OCTAGON J-BOX (BY OTHERS)



TOP VIEW

STATIC WHITE AND TWH1 MOUNTING INFORMATION CHART

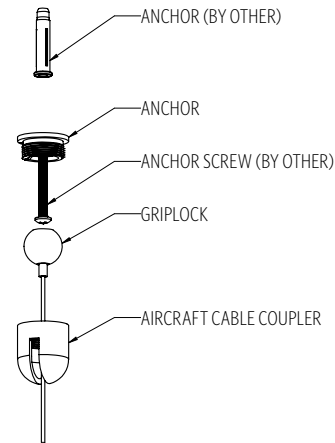
LUMINAIRE SIZE	LUMINAIRE WEIGHT	SE1 MOUNTING DISTANCE DIM A	SE2 MOUNTING DISTANCE DIM A	SE3 MOUNTING DISTANCE DIM A	MOUNTING POINTS	MIN/MAX OAH
24"	7 LBS	22.375	21.25	22.063	4	5"/144"
36"	12 LBS	34.375	33.25	34.063	4	5"/144"
48"	18 LBS	46.375	45.25	46.063	4	5"/144"
60"	22 LBS	58.375	57.25	58.063	4	5"/144"
72"	26 LBS	70.375	69.25	70.063	4	5"/144"

RGBW MOUNTING INFORMATION CHART

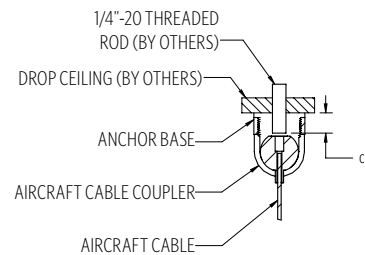
LUMINAIRE SIZE	LUMINAIRE WEIGHT	SE1 MOUNTING DISTANCE DIM A	SE2 MOUNTING DISTANCE DIM A	SE3 MOUNTING DISTANCE DIM A	MOUNTING POINTS	MIN/MAX OAH
24"	7 LBS	20.188	18.938	19.75	4	5"/144"
36"	12 LBS	32	30.75	31.563	4	5"/144"
48"	18 LBS	43.813	42.563	43.375	4	5"/144"
60"	22 LBS	55.563	54.375	55.188	4	5"/144"
72"	26 LBS	67.438	66.188	67	4	5"/144"

* PISA ships with one of three OAH's (48", 100" or 144") and is field adjustable to the desired height. For OAH over 144", contact your local rep

PISA will include ETL listed enclosure for remote mounting drivers. Max 30' distance from luminaire for **DM1, DM8, DALI** and **DMX**. Enclosure must remain accessible after installation. For **RGBW** remote box distance, contact factory

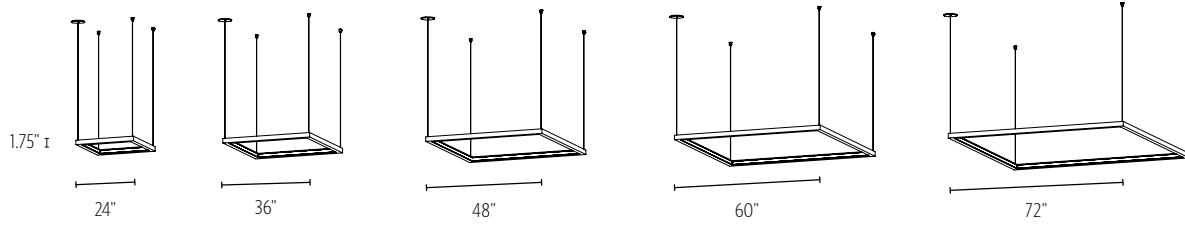


HARD CEILING



DROP CEILING

SIZES



DIFFUSER



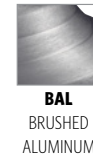
MW MATTE WHITE

FINISH

METALLIC POWDER COAT FINISHES:



PREMIUM METAL FINISHES:



SOLID POWDER COAT FINISHES:



TEXTURED POWDER COAT FINISHES:



RAL®, Pantone® or custom finishes are also available.

These colors are for reference only. Please be aware that colors may vary per monitor. Contact your local rep for finish samples or with any questions.

LIGHT SOURCE

		SE1					SE2					SE3				
		24"	36"	48"	60"	72"	24"	36"	48"	60"	72"	24"	36"	48"	60"	72"
LED1	LUMENS DELIVERED	1560	2340	3180	4020	4800	1566	2376	3186	4050	4806	1551	2350	3196	4042	4794
	SYSTEM WATTAGE	26	39	53	67	80	29	44	59	75	89	33	50	68	86	102
LED2	LUMENS DELIVERED	2520	3900	4860	6660	8040	2538	3888	4860	6696	8046	2585	3901	4841	6674	8084
	SYSTEM WATTAGE	42	65	81	111	134	47	72	90	124	149	55	83	103	142	172
TWH1	LUMENS DELIVERED	-	-	-	-	-	-	-	-	-	-	-	-	-	-	-
	SYSTEM WATTAGE	17	27	36	45	54	17	27	36	45	54	17	27	36	45	54
RGBW	LUMENS DELIVERED	363	565	757	960	1163	326	509	682	864	1046	284	443	593	752	911
	SYSTEM WATTAGE	34	53	71	90	109	34	53	71	90	109	34	53	71	90	109

This chart was created for a 35K color temp. Multiply by 0.95 for 27k color temp, 0.97 for 30k color temp, and 1.03 for 40k color temp. Wattage and lumen data for **TWH1** and **RGBW** approx. pending LM-79 testing.

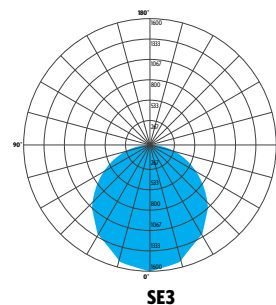
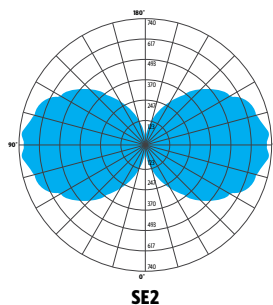
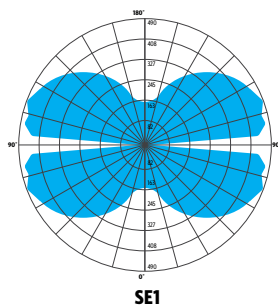
PHOTOMETRY:

LUMINAIRE: SE1-PIEM-48-MW-PTD-LED2_35K-UNV-48
 COLOR TEMP #: 3500K
 TEST REPORT: TEST NO. 20860.0; 20861.0; 20862.0

STANDARD COLOR TEMPERATURE OPTIONS	CRI
2700K	80+
3000K	80+
3500K	80+
4000K	80+
TUNABLE WHITE	90+
RGBW	80+

ZONE	% OF LUMINAIRE		
	SE1	SE2	SE3
0-30	4%	2%	27%
0-60	23%	17%	77%
0-90	50%	50%	100%
90-180	50%	50%	0%
0-180	100%	100%	100%

For all available IES files, please visit our website at ocl.com.



CONTROL

DM1 0-10V DIMMING 1%

- 0-10V DIMMING PROTOCOL
- 1% MINIMUM DIM LEVEL
- ELECTRONIC DRIVER
- POWER FACTOR >0.9
- THD <20%
- MINIMUM AMBIENT OPERATING TEMPERATURE -31°F
- LINEAR DIMMING CURVE
- FIELD REPLACEABLE

DALI DALI CONTROL SYSTEM, DIMMABLE 0.1%

- DALI-2 DEVICE TYPE 6 CONTROL PROTOCOL
- 0.1% MINIMUM DIM LEVEL
- ELECTRONIC DRIVER
- POWER FACTOR >0.9
- THD <20%
- MINIMUM AMBIENT OPERATING TEMPERATURE -4°F
- LOGARITHMIC DIMMING CURVE [DEFAULT]
- FIELD REPLACEABLE

DMX DMX CONTROL DIMMABLE TO 0.1%

- DMX/RDM DIMMING PROTOCOL
- 0.1% MINIMUM DIM LEVEL
- ELECTRONIC DRIVER
- POWER FACTOR >0.9
- THD <20%
- MINIMUM AMBIENT OPERATING TEMPERATURE -4°F
- LOGARITHMIC DIMMING CURVE [DEFAULT]
- FIELD REPLACEABLE

DM8 DUAL 0-10V DIMMING 0.1%

- 0-10V DIMMING PROTOCOL
- 0.1% MINIMUM DIM LEVEL
- ELECTRONIC DRIVER
- POWER FACTOR >0.9
- THD <20%
- MINIMUM AMBIENT OPERATING TEMPERATURE -4°F
- LOGARITHMIC DIMMING CURVE [DEFAULT]
- FIELD REPLACEABLE

OPTIONS

ULD DAMP LABEL LUMINAIRE

- MAY BE USED IN A OUTDOOR AREA THAT IS PROTECTED FROM DIRECT CONTACT WITH WIND, RAIN, SNOW OR EXCESSIVE MOISTURE

MOD MODIFIED LUMINAIRE

- LUMINAIRE IS MODIFIED FROM STANDARD OPTIONS; CONTACT LOCAL REP FOR MORE INFORMATION

SPECIFICATIONS

CONSTRUCTION

- HOUSING IS EXTRUDED AND WELDED ALUMINUM
- HOUSING CORNERS ARE FULLY WELDED AND GROUND SMOOTH
- DIFFUSER IS EXTRUDED SILICONE
- CANOPY IS FORMED ALUMINUM
- HARDWARE IS ZINC PLATED OR STAINLESS STEEL

MOUNTING

- **P1SB, P1SC, P1SA, & P1EM** ALL MOUNT TO 4X4" OCTAGON OR 4" ROUND J-BOX (BY OTHER)

ELECTRICAL

- DIMMING ELECTRONIC DRIVER(S), COMES STANDARD WITH 0-10V DOWN TO 1% (STATIC WHITE)
- OCL PROPRIETARY LED ARRAYS USE NICHIA 757 DIODES (STATIC WHITE)
- **FOR INTEGRAL DRIVERS:** LUMINAIRE CONNECTS TO BUILDING SUPPLY (120V-277V 50/60HZ)
- **FOR REMOTE DRIVERS:** LUMINAIRE WIRE LEADS ARE LOW-VOLTAGE. THE WIRES SHOULD BE CONNECTED TO OCL PROVIDED REMOTE DRIVER ENCLOSURE ONLY!

LISTING

- ETL LISTED TO UL 1598/2108 FOR DRY LOCATIONS, DAMP LOCATION LISTED IS OPTION

WARRANTY

- 5 YEAR; ALL ELECTRICAL COMPONENTS RETAIN THE MANUFACTURER'S WARRANTY

SUSTAINABILITY

- THIS PRODUCT MEETS THE MATERIAL RESTRICTIONS OF ARTICLE 4 OF THE **ROHS** DIRECTIVE (2011/65/EU), INCLUDING COMMISSION DELEGATED DIRECTIVE 2015/863

The drawings and specifications and ideas, designs and arrangements represented on these drawings are and shall remain the property of The Original Cast Lighting (OCL Architectural Lighting) and no part thereof shall be copied, disclosed, to others or used in conjunction with any work or project other than the specified project for which they have been prepared and developed, without written consent of OCL. Visual contact with these plans or specifications shall constitute conclusive evidence of acceptance of these restrictions. All specifications and information subject to change without notice.