



PROJECT NAME: _____ TYPE: _____
 QTY: _____



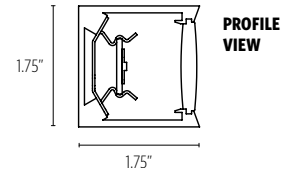
Stealth™ Acoustic

PENDANT



FEATURES

- AVAILABLE WITH TUNABLE WHITE AND RGBW LIGHT SOURCES
- 9MM ACOUSTIC OPTION AVAILABLE
- 1.75" MINIMAL SQUARE PROFILE SIZE
- SILICONE DIFFUSER ELIMINATES LIGHT LEAKS AND VISIBLE SEAMS
- FIELD REPLACEABLE LED ARRAYS AND DRIVER(S) FOR SIMPLE MAINTENANCE
- FIXTURES CAN BE CLUSTERED TOGETHER TO CREATE LARGE SCALE INSTALLATIONS
- CUSTOM SIZES, SHAPES, AND CONFIGURATIONS ARE POSSIBLE



MADE IN USA

CATALOG CODES

A	B	C	MW	E	F	UNV	H	DM1	J
SERIES	HANGING SYSTEM	SIZE	DIFFUSER	FINISH	LIGHT SOURCE	VOLTAGE	OAH	CONTROL	OPTIONS

SPECIFY CATALOG CODE

A	B	C	D	E
SERIES	HANGING SYSTEM	SIZE	DIFFUSER	FINISH
 SE1 STEALTH INNER	P1SB PENDANT WITH ANGLED AIRCRAFT CABLES AND POWER CORD TO SQUARE CANOPY WITH INTEGRAL DRIVER; MOUNTS TO 4X4 OCTAGON J-BOX (BY OTHERS) NOTE: STATIC WHITE ONLY	24 36 48	MW MATTE WHITE	POWDER COAT FINISHES BKP BLACK MWP MATTE WHITE BMP BRASS METALLIC SGP STEEL GRAY BNP BRONZE SMP SILVER METALLIC BTP BLACK TEXTURED SWP SKY WHITE GRP GRAPHITE WTP WHITE TEXTURED GLP GOLDTASTIC
	P1SC PENDANT WITH ANGLED AIRCRAFT CABLES AND POWER CORD TO SQUARE CANOPY; MOUNTS TO 4X4 OCTAGON J-BOX (BY OTHERS); REMOTE DRIVER ENCLOSURE			
	PIEM PENDANT WITH VERTICAL AIRCRAFT CABLES TO SEPARATE MOUNTING POINTS AND POWER CORD TO CANOPY; MOUNTS TO 4X4 OCTAGON J-BOX (BY OTHERS); REMOTE DRIVER ENCLOSURE			
 SE2 STEALTH OUTER	P1SA PENDANT WITH VERTICAL AIRCRAFT CABLES TO SEPARATE MOUNTING POINTS AND POWER CORD TO SQUARE CANOPY WITH INTEGRAL DRIVER; MOUNTS TO 4X4 OCTAGON J-BOX (BY OTHERS) NOTE: STATIC WHITE ONLY			PREMIUM METAL FINISHES BAL BRUSHED ALUMINUM
 SE3 STEALTH DOWN				

F		G	H	I	J
LIGHT SOURCE		VOLTAGE	OAH*	CONTROL	OPTIONS
LED OUTPUT LED1 LED2	COLOR TEMP 27K 30K 35K 40K	UNV 120-277	48 100 144	DM1 0-10V DIMMING 1%	MOD MODIFIED LUMINAIRE (CONTACT/LOCAL REP)
				DM8 DUAL 0-10V DIMMABLE TO 0.1%	
TWH1 TUNABLE WHITE 2700K - 6500K CRI=90+ R9=50+	DMX DMX CONTROL; DIMMABLE TO 0.1%			NOTE: Acoustic panels up to 48. Additional sizes possible. Contact your local rep for availability and lead times.	
RGBW	RGBW				

SAMPLE CODE: SE1-PIEM-36-MW-WTP-LED1/30K-UNV-100-DM1-PBK

MODS, NOTES, & COMMENTS

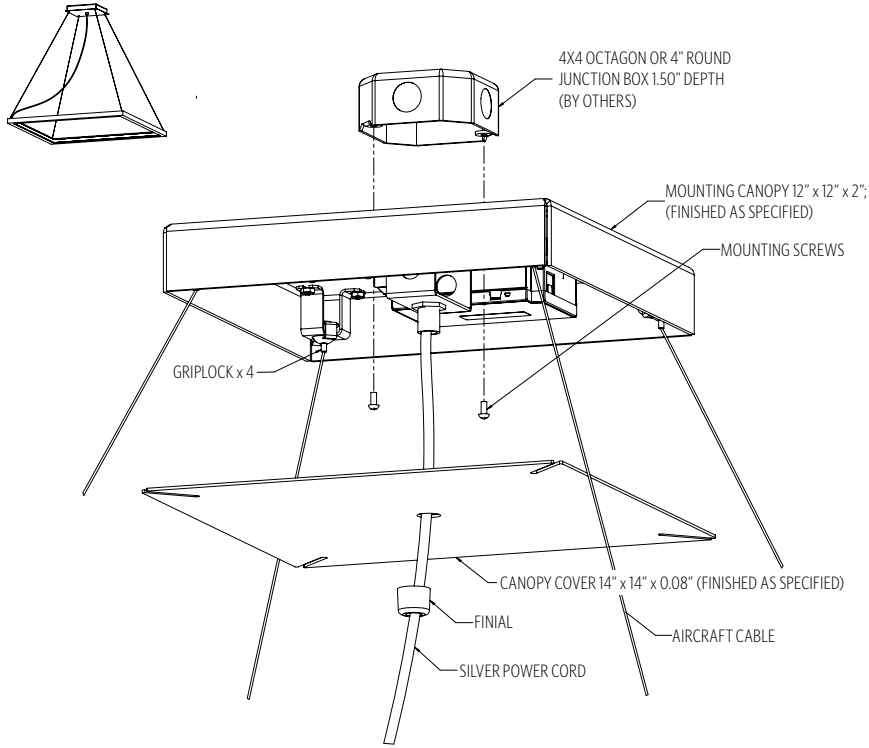
*Ships with one of three OAH's (48", 100" or 144") and is field adjustable to the desired height
 Fixtures with PIEM hanging system, canopy will be MWP unless specified.
 Fixtures with P1SB, P1SC and P1SA hanging system, canopy will match finish choice.
 Power cord silver unless specified.



This product meets the material restrictions of Article 4 of the RoHS Directive (2011/65/EU), including Commission Delegated Directive 2015/863

HANGING SYSTEM

P1SB PENDANT WITH ANGLED AIRCRAFT CABLES AND POWER CORD TO SQUARE CANOPY WITH INTEGRAL DRIVER; MOUNTS TO 4X4 OCTAGON J-BOX (BY OTHERS)

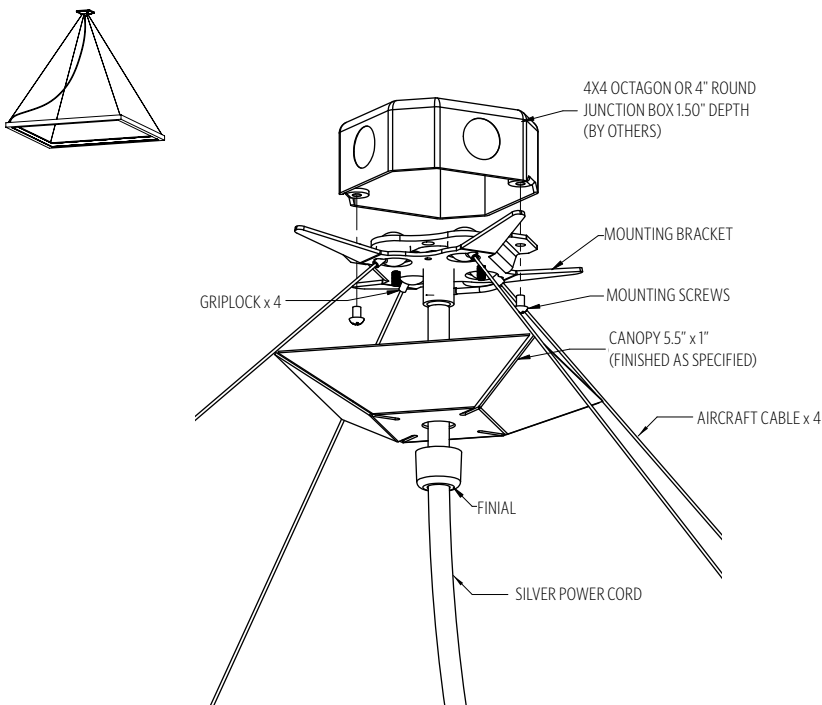


MOUNTING INFORMATION CHART

LUMINAIRE SIZE	LUMINAIRE WEIGHT	MOUNTING POINTS	MIN/MAX OAH
24"	12 LBS	1	8"/144"
36"	14 LBS	1	15"/144"
48"	16 LBS	1	22"/144"

* P1SB ships with one of three OAH's (48", 100" or 144") and is field adjustable to the desired height. For OAH over 144", contact your local rep

P1SC PENDANT WITH ANGLED AIRCRAFT CABLES AND POWER CORD TO SQUARE CANOPY; MOUNTS TO 4X4 OCTAGON J-BOX (BY OTHERS); REMOTE DRIVER ENCLOSURE

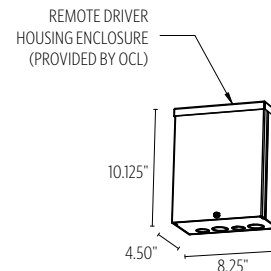


MOUNTING INFORMATION CHART

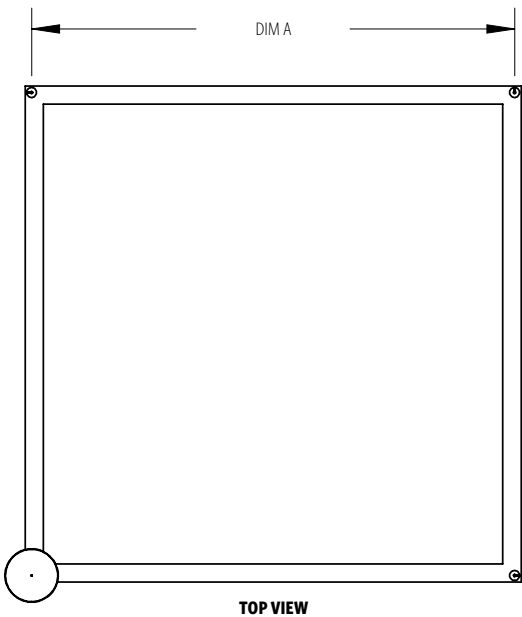
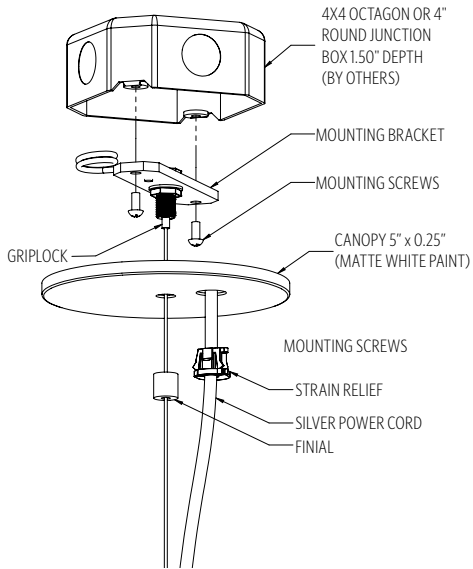
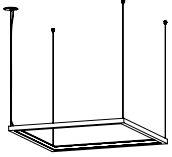
LUMINAIRE SIZE	LUMINAIRE WEIGHT	MOUNTING POINTS	MIN/MAX OAH
24"	12 LBS	1	10"/144"
36"	14 LBS	1	12"/144"
48"	16 LBS	1	19"/144"

* P1SC ships with one of three OAH's (48", 100" or 144") and is field adjustable to the desired height. For OAH over 144", contact your local rep.

P1SC will include ETL listed enclosure for remote mounting drivers. Max 30' distance from luminaire for **DM1**, **DMS**, **DALI** and **DMX**. Enclosure must remain accessible after installation. For **RGBW** remote box distance, contact your local rep



PIEM PENDANT WITH VERTICAL AIRCRAFT CABLES TO SEPARATE MOUNTING POINTS AND POWER CORD TO CANOPY; MOUNTS TO 4X4 OCTAGON J-BOX (BY OTHERS); REMOTE DRIVER ENCLOSURE



STATIC WHITE AND TWH1 MOUNTING INFORMATION CHART

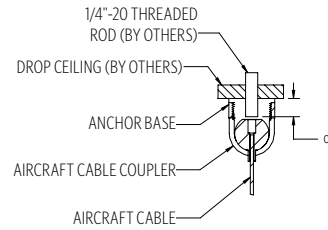
LUMINAIRE SIZE	LUMINAIRE WEIGHT	SE1 MOUNTING DISTANCE DIM A	SE2 MOUNTING DISTANCE DIM A	SE3 MOUNTING DISTANCE DIM A	MOUNTING POINTS	MIN/MAX OAH
24"	7 LBS	22.375	21.25	22.063	4	5"/144"
36"	12 LBS	34.375	33.25	34.063	4	5"/144"
48"	18 LBS	46.375	45.25	46.063	4	5"/144"

RGBW MOUNTING INFORMATION CHART

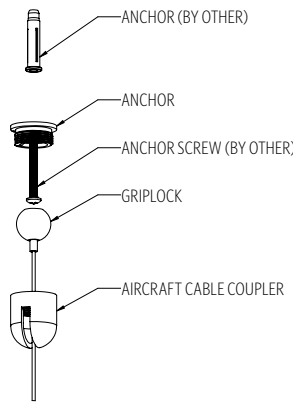
LUMINAIRE SIZE	LUMINAIRE WEIGHT	SE1 MOUNTING DISTANCE DIM A	SE2 MOUNTING DISTANCE DIM A	SE3 MOUNTING DISTANCE DIM A	MOUNTING POINTS	MIN/MAX OAH
24"	7 LBS	20.188	18.938	19.75	4	5"/144"
36"	12 LBS	32	30.75	31.563	4	5"/144"
48"	18 LBS	43.813	42.563	43.375	4	5"/144"

* PIEM ships with one of three OAH's (48", 100" or 144") and is field adjustable to the desired height. For OAH over 144", contact your local rep

PIEM will include ETL listed enclosure for remote mounting drivers. Max 30' distance from luminaire for **DM1, DM8, DALI** and **DMX**. Enclosure must remain accessible after installation. For **RGBW** remote box distance, contact factory

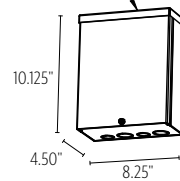


DROP CEILING

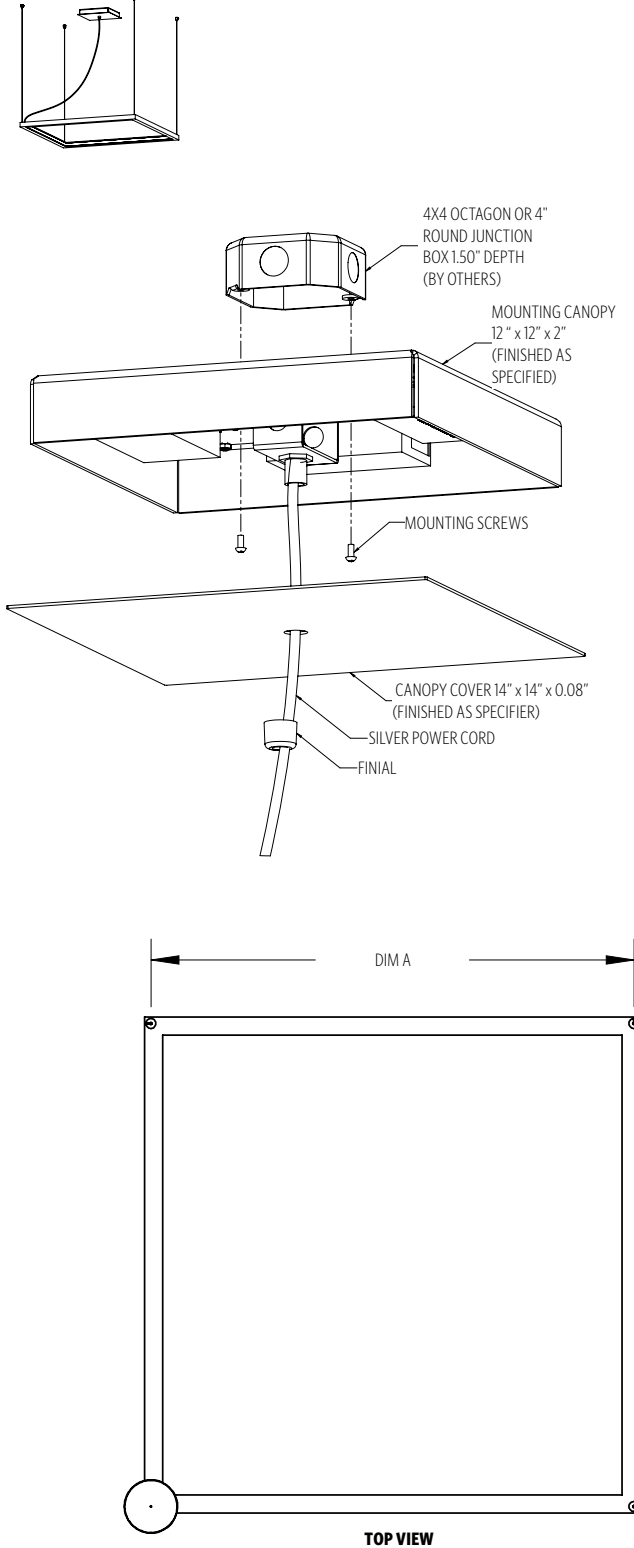


HARD CEILING

REMOTE DRIVER HOUSING ENCLOSURE (PROVIDED BY OCL)



PISA PENDANT WITH VERTICAL AIRCRAFT CABLES TO SEPARATE MOUNTING POINTS AND POWER CORD TO SQUARE CANOPY WITH INTEGRAL DRIVER; MOUNTS TO 4X4 OCTAGON J-BOX (BY OTHERS)



STATIC WHITE AND TWH1 MOUNTING INFORMATION CHART

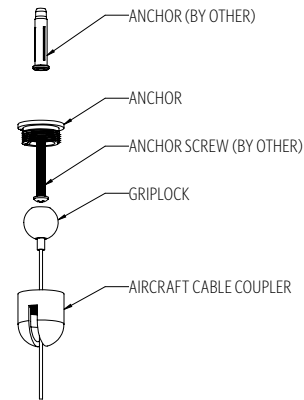
LUMINAIRE SIZE	LUMINAIRE WEIGHT	SE1 MOUNTING DISTANCE DIM A	SE2 MOUNTING DISTANCE DIM A	SE3 MOUNTING DISTANCE DIM A	MOUNTING POINTS	MIN/MAX OAH
24"	7 LBS	22.375	21.25	22.063	4	5"/144"
36"	12 LBS	34.375	33.25	34.063	4	5"/144"
48"	18 LBS	46.375	45.25	46.063	4	5"/144"

RGBW MOUNTING INFORMATION CHART

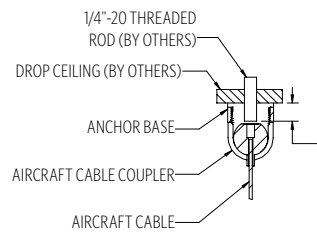
LUMINAIRE SIZE	LUMINAIRE WEIGHT	SE1 MOUNTING DISTANCE DIM A	SE2 MOUNTING DISTANCE DIM A	SE3 MOUNTING DISTANCE DIM A	MOUNTING POINTS	MIN/MAX OAH
24"	7 LBS	20.188	18.938	19.75	4	5"/144"
36"	12 LBS	32	30.75	31.563	4	5"/144"
48"	18 LBS	43.813	42.563	43.375	4	5"/144"

* PISA ships with one of three OAH's (48", 100" or 144") and is field adjustable to the desired height. For OAH over 144", contact your local rep

PISA will include ETL listed enclosure for remote mounting drivers. Max 30' distance from luminaire for **DM1, DM8, DALI** and **DMX**. Enclosure must remain accessible after installation. For **RGBW** remote box distance, contact factory

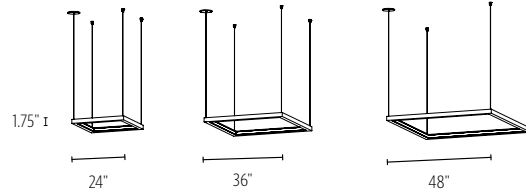


HARD CEILING



DROP CEILING

SIZES



DIFFUSER



MW MATTE WHITE

FINISH

METALLIC POWDER COAT FINISHES:



SMP
SILVER



GRP
GRAPHITE



SGP
STEEL GRAY



GLP
GOLDTASTIC



BMP
BRASS



BNP
BRONZE

PREMIUM METAL FINISHES:



BAL
BRUSHED
ALUMINUM

SOLID POWDER COAT FINISHES:



SWP
SKY WHITE



MWP
MATTE
WHITE



BKP
BLACK

TEXTURED POWDER COAT FINISHES:



BTP
BLACK
TEXTURED



WTP
WHITE
TEXTURED

RAL[®], Pantone[®] or custom finishes are also available.

These colors are for reference only. Please be aware that colors may vary per monitor. Contact your local rep for finish samples or with any questions.

ACOUSTIC

ACOUSTIC COLORS:



PBK
PURE BLACK



CHG
CHARCOAL



SLT
SLATE



SDG
SHADOW
GRAY



PIC
PEARL ICE



CWH
CLASSIC
WHITE



SLG
SILVER
GRAY



BRY
BERRY



CHR
CHERRY
RED



NTL
NATURAL
LINEN



HZW
HAZELWOOD



CFB
CORNFLOWER
BLUE



DNB
DENIM BLUE



BRD
BRICK RED



MNB
MIDNIGHT
BLUE



DPP
DEEP
PURPLE



EMG
EMERALD
GREEN



CNM
CINNAMON



CRT
CARROT



DWT
DEEPWATER



PNA
PINEAPPLE



LMG
LIME GREEN



LMS
LIMESTONE



BLS
BLUSH



SFM
SEAFOAM

LIGHT SOURCE

		SE1 ACOUSTIC		
		24"	36"	48"
LED1	LUMENS DELIVERED	1170	1755	2385
	SYSTEM WATTAGE	26	39	53
LED2	LUMENS DELIVERED	1890	2925	3645
	SYSTEM WATTAGE	42	65	81
TWH1	LUMENS DELIVERED	-	-	-
	SYSTEM WATTAGE	17	27	36
RGBW	LUMENS DELIVERED	272	424	568
	SYSTEM WATTAGE	34	53	71

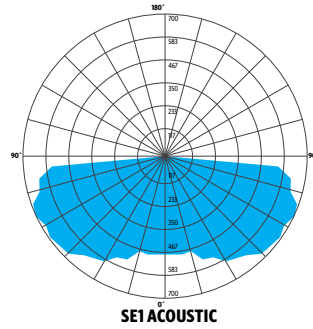
STANDARD COLOR TEMPERATURE OPTIONS	CRI
2700K	80+
3000K	80+
3500K	80+
4000K	80+
TUNABLE WHITE	90+
RGBW	80+

% OF LUMINAIRE	
ZONE	SE1 AC
0-30	12%
0-60	52%
0-90	100%
90-180	0%
0-180	100%

This chart was created for a 35K color temp. Multiply by 0.95 for 27k color temp, 0.97 for 30k color temp, and 1.03 for 40k color temp. Wattage and lumen data for **TWH1** and **RGBW** approx. pending LM-79 testing.

PHOTOMETRY:

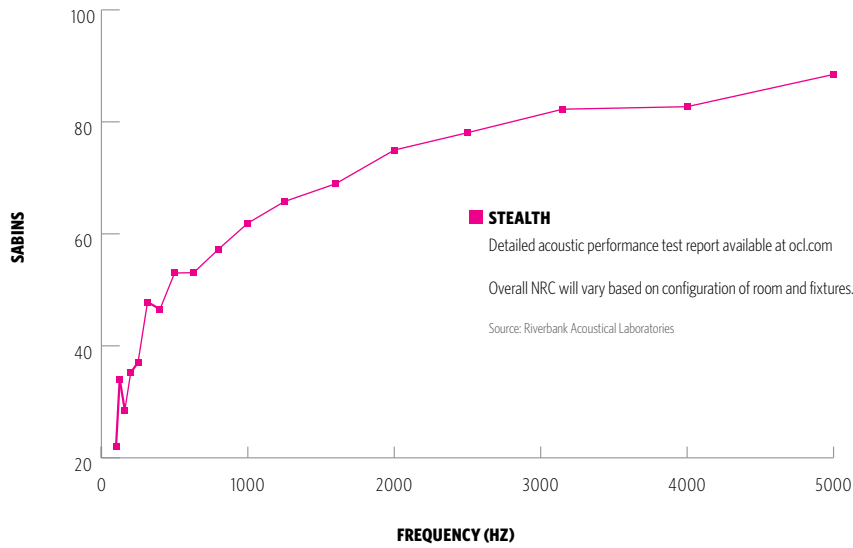
LUMINAIRE: SE1-PIEM-48-MW-PTD-LED2_35K-UNV-48
 COLOR TEMP #: 3500K
 TEST REPORT: TEST NO. 20860.0; 20861.0; 20862.0



For all available IES files, please visit our website at ocl.com.

ACOUSTICAL TESTING

STEALTH ACOUSTIC PERFORMANCE (4 UNITS):



CONTROL

DM1 0-10V DIMMING 1%

- 0-10V DIMMING PROTOCOL
- 1% MINIMUM DIM LEVEL
- ELECTRONIC DRIVER
- POWER FACTOR >0.9
- THD <20%
- MINIMUM AMBIENT OPERATING TEMPERATURE -31°F
- LINEAR DIMMING CURVE
- FIELD REPLACEABLE

DALI DALI CONTROL SYSTEM, DIMMABLE 0.1%

- DALI-2 DEVICE TYPE 6 CONTROL PROTOCOL
- 0.1% MINIMUM DIM LEVEL
- ELECTRONIC DRIVER
- POWER FACTOR >0.9
- THD <20%
- MINIMUM AMBIENT OPERATING TEMPERATURE -4°F
- LOGARITHMIC DIMMING CURVE [DEFAULT]
- FIELD REPLACEABLE

DMX DMX CONTROL DIMMABLE TO 0.1%

- DMX/RDM DIMMING PROTOCOL
- 0.1% MINIMUM DIM LEVEL
- ELECTRONIC DRIVER
- POWER FACTOR >0.9
- THD <20%
- MINIMUM AMBIENT OPERATING TEMPERATURE -4°F
- LOGARITHMIC DIMMING CURVE [DEFAULT]
- FIELD REPLACEABLE

DM8 DUAL 0-10V DIMMING 0.1%

- 0-10V DIMMING PROTOCOL
- 0.1% MINIMUM DIM LEVEL
- ELECTRONIC DRIVER
- POWER FACTOR >0.9
- THD <20%
- MINIMUM AMBIENT OPERATING TEMPERATURE -4°F
- LOGARITHMIC DIMMING CURVE [DEFAULT]
- FIELD REPLACEABLE

OPTIONS

MOD MODIFIED LUMINAIRE

- LUMINAIRE IS MODIFIED FROM STANDARD OPTIONS; CONTACT LOCAL REP FOR MORE INFORMATION

ACOUSTIC PANEL

- AFFIXED ACOUSTIC PANEL AIDS IN THE REDUCTION OF SOUND REFLECTIONS, REVERBERATION, AND ECHO
- ASTM E-84 CLASS A / CAN ULC S102 FLAME SPREAD: 0 | SMOKE DEVELOPMENT INDEX: 300
- 9MM 100% POLYESTER FIBER PANEL WITH A MINIMUM 50% POST-CONSUMER RECYCLED MATERIAL (PET)



- ACOUSTIC PERFORMANCE (ASTM C423) TEST REPORT AVAILABLE AT OCL.COM
- VARIATIONS IN FIBER MIX AND COLOR MAY OCCUR. ALL PRODUCTS WILL BE SUPPLIED WITHIN COMMERCIAL TOLERANCES
- **CARE & CLEANING:** REMOVE DUST AND DEBRIS WITH A CLEAN, SOFT, LINT-FREE CLOTH OR VACUUM

SPECIFICATIONS

CONSTRUCTION

- HOUSING IS EXTRUDED AND WELDED ALUMINUM
- HOUSING CORNERS ARE FULLY WELDED AND GROUND SMOOTH
- DIFFUSER IS EXTRUDED SILICONE
- CANOPY IS FORMED ALUMINUM
- HARDWARE IS ZINC PLATED OR STAINLESS STEEL

MOUNTING

- **P1SB, P1SC, P1SA, & P1EM** ALL MOUNT TO 4X4" OCTAGON OR 4" ROUND J-BOX (BY OTHER)

ELECTRICAL

- DIMMING ELECTRONIC DRIVER(S), COMES STANDARD WITH 0-10V DOWN TO 1% (STATIC WHITE)
- OCL PROPRIETARY LED ARRAYS USE NICHIA 757 DIODES (STATIC WHITE)
- **FOR INTEGRAL DRIVERS:** LUMINAIRE CONNECTS TO BUILDING SUPPLY (120V-277V 50/60HZ)
- **FOR REMOTE DRIVERS:** LUMINAIRE WIRE LEADS ARE LOW-VOLTAGE. THE WIRES SHOULD BE CONNECTED TO OCL PROVIDED REMOTE DRIVER ENCLOSURE ONLY!

LISTING

- ETL LISTED TO UL 1598/2108 FOR DRY LOCATIONS, DAMP LOCATION LISTED IS OPTION

WARRANTY

- 5 YEAR; ALL ELECTRICAL COMPONENTS RETAIN THE MANUFACTURER'S WARRANTY

SUSTAINABILITY

- THIS PRODUCT MEETS THE MATERIAL RESTRICTIONS OF ARTICLE 4 OF THE **ROHS** DIRECTIVE (2011/65/EU), INCLUDING COMMISSION DELEGATED DIRECTIVE 2015/863