

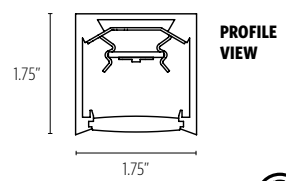


Liner™

PENDANT

FEATURES

- AVAILABLE WITH TUNABLE WHITE AND RGBW LIGHT SOURCES
- 1.75" MINIMAL SQUARE PROFILE SIZE
- SILICONE DIFFUSER ELIMINATES LIGHT LEAKS AND VISIBLE SEAMS
- FIELD REPLACEABLE LED ARRAYS AND DRIVER(S) FOR SIMPLE MAINTENANCE
- SIMPLE, LINEAR PROFILE CAN BE CONNECTED TO CREATE LONG, CONTINUOUS RUNS
- CUSTOM SIZES, SHAPES, AND CONFIGURATIONS ARE POSSIBLE



CATALOG CODES

LN1	B	C	MW	E	<i>i</i>	UNV	H	I	J
SERIES	HANGING SYSTEM	SIZE	DIFFUSER	FINISH	LIGHT SOURCE	VOLTAGE	OAH	CONTROL	OPTIONS

SPECIFY CATALOG CODE

A	B	C	D	E
SERIES	HANGING SYSTEM*	SIZE	DIFFUSER	FINISH
 LN1 LINER	PIEB PENDANT WITH AN AIRCRAFT CABLE ON EACH END OF THE FIXTURE AND A POWER CORD ON ONE END; REMOTE DRIVER ENCLOSURE (NOTE: REQUIRED FOR RGBW)	24 36 48 60 72	MW MATTE WHITE	POWDER COAT FINISHES BKP BLACK BMP BRASS METALLIC BNP BRONZE BTP BLACK TEXTURED GRP GRAPHITE GLP GOLDTASTIC
	P1SD PENDANT WITH VERTICAL AIRCRAFT CABLES AND POWER CORD TO CENTRAL CANOPY WITH INTEGRAL DRIVER			MWP MATTE WHITE SGP STEEL GRAY SMP SILVER METALLIC SWP SKY WHITE WTP WHITE TEXTURED
				PREMIUM METAL FINISHES BAL BRUSHED ALUMINUM

F	G	H	I	J
LIGHT SOURCE	VOLTAGE	OAH*	CONTROL	OPTIONS
LED OUTPUT LED1 LED2	COLOR TEMP 27K 30K 35K 40K	UNV 120-277 48 100 144	DM1 0-10V DIMMING 1%	ULD DAMP LABEL MOD MODIFIED LUMINAIRE (CONTACT LOCAL REP)
TWH1	TUNABLE WHITE 2700K - 6500K CRI=90+; R9=50+		DM8 DUAL 0-10V DALI DALI TYPE 8 CONTROL SYSTEM, DIMMABLE TO 0.1%	
RGBW (NOTE: PIEB ONLY)	RGBW		DMX DMX CONTROL; DIMMABLE TO 0.1%	

SAMPLE CODE: LN1-P1EB-36-MW-WTP-LED1/27K-UNV-48-DM1

*Ships with one of three OAH's (48", 100" or 144") and is field adjustable to the desired height
 Fixtures with PIEB hanging system, canopy will be MWP unless specified.
 Fixtures with P1SD hanging system, canopy will match finish choice.
 Power cord silver unless specified.



UP TO **60** LM/W

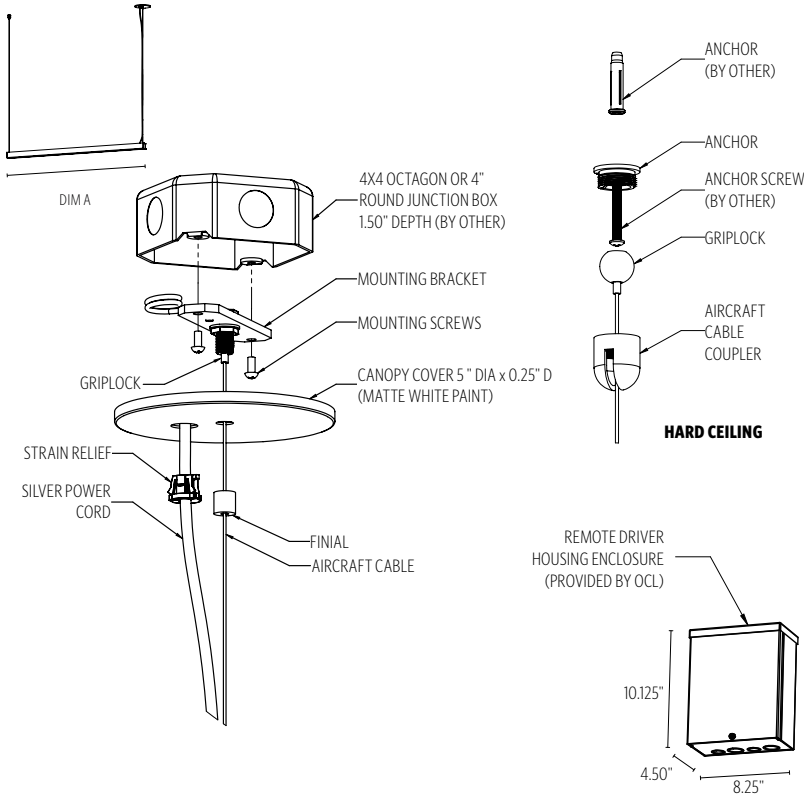
LUMENS AND WATTAGE CHART

		24"	36"	48"	60"	72"
LED1	LUMENS DELIVERED	420	660	840	1080	1260
	SYSTEM WATTAGE	7	11	14	18	21
LED2	LUMENS DELIVERED	720	1080	1320	1740	2100
	SYSTEM WATTAGE	12	18	22	29	35
TWH1	LUMENS DELIVERED	-	-	-	-	-
	SYSTEM WATTAGE	12	18	29	29	35
RGBW	LUMENS DELIVERED	128	192	256	320	384
	SYSTEM WATTAGE	12	18	24	30	36

This chart was created for a 35K color temp. Multiply by 0.95 for 27k color temp, 0.97 for 30k color temp, and 1.03 for 40k color temp. Wattage and lumen data for **TWH1** and **RGBW** approx. pending LM-79 testing.

HANGING SYSTEM

PIEB PENDANT WITH AN AIRCRAFT CABLE ON EACH END OF THE FIXTURE AND A POWER CORD ON ONE END; REMOTE DRIVER ENCLOSURE (**NOTE: REQUIRED FOR RGBW**)



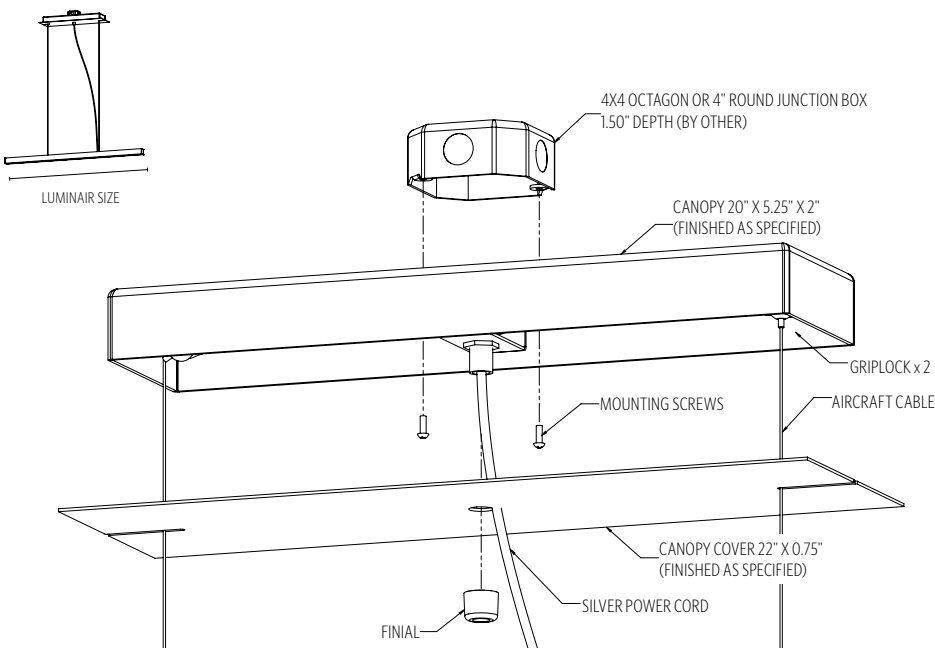
MOUNTING INFORMATION CHART

LUMINAIRE SIZE	LUMINAIRE WEIGHT	MOUNTING DISTANCE DIM A	MOUNTING POINTS	MIN/MAX OAH
24	3 LBS	23.1875	2	5'/144"
36	4 LBS	35.1875	2	5'/144"
48	5 LBS	47.1875	2	5'/144"
60	6 LBS	59.1875	2	5'/144"
72	7 LBS	71.1875	2	5'/144"

* PIEB ships with one of three standard OAH's (48", 100" or 144") field adjustable to the desired height

PIEB will include ETL listed enclosure for remote mounting drivers. Max 30' distance from luminaire for **DM1, DM8, DALI** and **DMX**. Enclosure must remain accessible after installation. For **RGBW** remote box distance, contact factory

P1SD PENDANT WITH VERTICAL AIRCRAFT CABLES AND POWER CORD TO CENTRAL CANOPY WITH INTEGRAL DRIVER

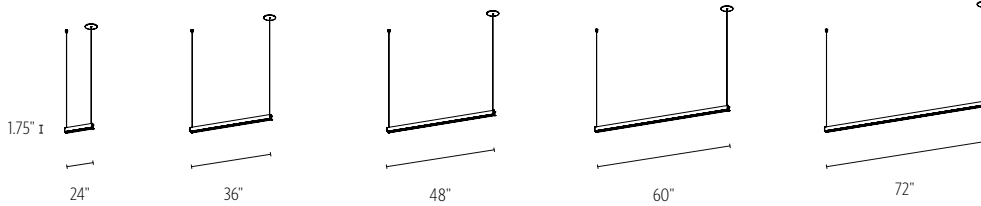


MOUNTING INFORMATION CHART

LUMINAIRE SIZE	LUMINAIRE WEIGHT	MIN/MAX OAH
24	3 LBS	7'/144"
36	4 LBS	7'/144"
48	5 LBS	7'/144"
60	6 LBS	7'/144"
72	7 LBS	7'/144"

* P1SD ships with one of three standard OAH's (48", 100" or 144") field adjustable to the desired height.

SIZES



DIFFUSER

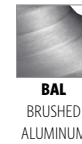


FINISH

METALLIC POWDER COAT FINISHES:



PREMIUM METAL FINISHES:



SOLID POWDER COAT FINISHES:



TEXTURED POWDER COAT FINISHES:



RAL, Pantone or custom finishes are also available.

These colors are for reference only. Please be aware that colors may vary per monitor. Contact your local rep for finish samples or with any questions.

LIGHT SOURCE

		LUMENS AND WATTAGE CHART				
		24"	36"	48"	60"	72"
LED1	LUMENS DELIVERED	420	660	840	1080	1260
	SYSTEM WATTAGE	7	11	14	18	21
LED2	LUMENS DELIVERED	720	1080	1320	1740	2100
	SYSTEM WATTAGE	12	18	22	29	35
TWH1	LUMENS DELIVERED	-	-	-	-	-
	SYSTEM WATTAGE	12	18	29	29	35
RGBW	LUMENS DELIVERED	128	192	256	320	384
	SYSTEM WATTAGE	12	18	24	30	36

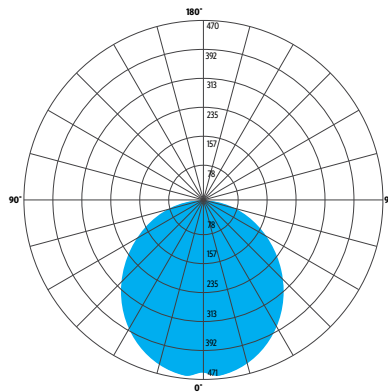
STANDARD COLOR TEMPERATURE OPTIONS	CRI
2700K	80+
3000K	80+
3500K	80+
4000K	80+
TUNABLE WHITE	90+
RGBW	80+

ZONE	LUMENS	% OF LUMINAIRE
0-30	346	28%
0-60	987	79%
0-90	1250	100%
90-180	0	0%
0-180	1250	100%

This chart was created for a 35K color temp. Multiply by 0.95 for 27k color temp, 0.97 for 30k color temp, and 1.03 for 40k color temp. Wattage and lumen data for TWH1 and RGBW approx. pending LM-79 testing.

PHOTOMETRY:

FIXTURE: LNI-PIEW-48-MW-PTD-LED2_35K-UNV-48
COLOR TEMP #: 3500K
TEST REPORT: TEST NO. 20863.0



For all available IES files, please visit our website at ocl.com.

CONTROL

DM1 0-10V DIMMING 1%

- 0-10V DIMMING PROTOCOL
- 1% MINIMUM DIM LEVEL
- ELECTRONIC DRIVER
- POWER FACTOR >0.9
- THD <20%
- MINIMUM AMBIENT OPERATING TEMPERATURE -31°F
- FIELD REPLACEABLE

DALI DALI CONTROL SYSTEM, DIMMABLE 0.1%

- DALI-2 DEVICE TYPE 6 CONTROL PROTOCOL
- 0.1% MINIMUM DIM LEVEL
- ELECTRONIC DRIVER
- POWER FACTOR >0.9
- THD <20%
- MINIMUM AMBIENT OPERATING TEMPERATURE -4°F
- LOGARITHMIC DIMMING CURVE [DEFAULT]
- FIELD REPLACEABLE

DMX DMX CONTROL DIMMABLE TO 0.1%

- DMX/RDM DIMMING PROTOCOL
- 0.1% MINIMUM DIM LEVEL
- ELECTRONIC DRIVER
- POWER FACTOR >0.9
- THD <20%
- MINIMUM AMBIENT OPERATING TEMPERATURE -4°F
- LOGARITHMIC DIMMING CURVE [DEFAULT]
- FIELD REPLACEABLE

DM8 DUAL 0-10V DIMMING 0.1%

- 0-10V DIMMING PROTOCOL
- 0.1% MINIMUM DIM LEVEL
- ELECTRONIC DRIVER
- POWER FACTOR >0.9
- THD <20%
- MINIMUM AMBIENT OPERATING TEMPERATURE -4°F
- LOGARITHMIC DIMMING CURVE [DEFAULT]
- FIELD REPLACEABLE

OPTIONS

ULD DAMP LABEL LUMINAIRE

- MAY BE USED IN AN OUTDOOR AREA THAT IS PROTECTED FROM DIRECT CONTACT WITH WIND, RAIN, SNOW OR EXCESSIVE MOISTURE

MOD MODIFIED LUMINAIRE

- LUMINAIRE IS MODIFIED FROM STANDARD OPTIONS; CONTACT LOCAL REP FOR MORE INFORMATION

SPECIFICATIONS

CONSTRUCTION

- HOUSING IS EXTRUDED AND WELDED ALUMINUM
- END CAPS ARE CAST ALUMINUM
- DIFFUSER IS EXTRUDED SILICONE
- CANOPY IS FORMED ALUMINUM
- HARDWARE IS ZINC PLATED OR STAINLESS STEEL

MOUNTING

- **PIEB & P1SD** MOUNT TO 4X4" OCTAGON OR 4" ROUND J-BOX (BY OTHER)

ELECTRICAL

- DIMMING ELECTRONIC DRIVER(S), COMES STANDARD WITH 0-10V DOWN TO 1% [STATIC WHITE]
- OCL PROPRIETARY LED ARRAYS USE NICHIA 757 DIODES
- **FOR INTEGRAL DRIVERS:** LUMINAIRE CONNECTS TO BUILDING SUPPLY (120V-277V 50/60HZ)
- **FOR REMOTE DRIVERS:** LUMINAIRE WIRE LEADS ARE LOW-VOLTAGE. THE WIRES SHOULD BE CONNECTED TO OCL PROVIDED REMOTE DRIVER ENCLOSURE ONLY!

LISTING

- ETL LISTED TO UL 1598/2108 FOR DRY LOCATIONS, DAMP LOCATION LISTED IS OPTION

WARRANTY

- 5 YEAR; ALL ELECTRICAL COMPONENTS RETAIN THE MANUFACTURER'S WARRANTY

SUSTAINABILITY

- THIS PRODUCT MEETS THE MATERIAL RESTRICTIONS OF ARTICLE 4 OF THE **ROHS** DIRECTIVE (2011/65/EU), INCLUDING COMMISSION DELEGATED DIRECTIVE 2015/863