



PROJECT NAME: _____ TYPE: _____

QTY: _____



Kwyet™

PENDANT



FEATURES

- AVAILABLE WITH TUNABLE WHITE AND RGBW LIGHT SOURCES
- COMBINATION OF OUR TUBIE™ LUMINAIRE AND SOUND ABSORBING 9MM ACOUSTIC FINIS
- 36" DIAMETER WITH CONE, ANGLE, AND ELLIPSE SHAPES
- EVENLY ILLUMINATED ARCHITECTURAL CYLINDER WITH CAST ALUMINUM END CAPS
- FULLY ENCLOSED TO MINIMIZE ACCUMULATION OF DUST AND DEBRIS
- HIGH QUALITY DIE-CAST AND EXTRUDED CONSTRUCTION
- FROSTED WHITE ACRYLIC DIFFUSER
- CHOICE OF PERFORMANCE COB DOWNLIGHT
- FIXTURE CAN BE CLUSTERED TOGETHER TO CREATE LARGE SCALE ARRAYS; CUSTOM SHAPES AND SIZES POSSIBLE



CATALOG CODES

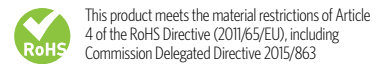
A	B	36	MW	E	/	G	/	UNV	J	K	L
SERIES	HANGING SYSTEM	SIZE	DIFFUSER	ACOUSTIC COLOR	LIGHT SOURCE: BODY	REFLECTOR	LIGHT SOURCE: DOWNLIGHT	VOLTAGE	OAH	CONTROL	OPTIONS

SPECIFY CATALOG CODE												
A	B					C	D	E				
SERIES	HANGING SYSTEM					SIZE	DIFFUSER	ACOUSTIC COLORS				
KW1 ANGLE KW2 CONE KW3 ELLIPSE	STATIC WHITE SURFACE MOUNT					36	MW MATTE WHITE	PBK	PURE BLACK	DPP	DEEP PURPLE	
	P1FK PENDANT WITH 5.75" SURFACE MOUNT CANOPY, SINGLE CENTER AIRCRAFT CABLE AND WHITE POWER CORD; MOUNTS TO 4X4 OCTAGON J-BOX (BY OTHERS); INTEGRAL DRIVERS; NOTE: STATIC WHITE WITH NO DOWNLIGHT (ND)							CHG	CHARCOAL	BRY	BERRY	
	P1FF PENDANT WITH 8" SURFACE MOUNT CANOPY, SINGLE CENTER AIRCRAFT CABLE AND WHITE POWER CORD; MOUNTS TO 4X4 OCTAGON J-BOX (BY OTHERS); INTEGRAL DRIVERS; NOTE: STATIC WHITE WITH DOWNLIGHT							SLT	SLATE	CHR	CHERRY RED	
STATIC WHITE, TUNABLE WHITE, OR RGBW FLAT CANOPY MOUNT								SDG	SHADOW GRAY	CRT	CARROT	
P1FG PENDANT WITH 5" FLAT CANOPY, SINGLE CENTER AIRCRAFT CABLE AND WHITE POWER CORD; MOUNTS TO 4X4 OCTAGON J-BOX (BY OTHERS); REMOTE DRIVER ENCLOSURE								PIC	PEARL ICE	DWT	DEEPWATER	
								CWH	CLASSIC WHITE	PNA	PINEAPPLE	
								SLG	SILVER GRAY	LMG	LIME GREEN	
								NTL	NATURAL LINEN	LMS	LIMESTONE	
								HZW	HAZELWOOD	EMG	EMERALD GREEN	
								CFB	CORNFLOWER BLUE	CNM	CINNAMON	
								DNB	DENIM BLUE	BLS	BLUSH	
								BRD	BRICK RED	SFM	SEAFOAM	
								MNB	MIDNIGHT BLUE			

F		G	H		I	J	K	L
LIGHT SOURCE: BODY*		REFLECTOR	LIGHT SOURCE: DOWNLIGHT		VOLTAGE	CORD & CABLE LENGTH**	CONTROL	OPTIONS
LED OUTPUT	COLOR TEMP	ND NO DOWNLIGHT	LED OUTPUT	COLOR TEMP	UNV 120-277	48	DM1 0-10V DIMMING 1%	MOD MODIFIED LUMINAIRE (CONTACT LOCAL REP)
LED1	27K	NF NARROW FLOOD [25 DEGREE]	LED1	27K		100		
LED2	30K	WF WIDE FLOOD [60 DEGREE]		30K		144		
	35K			35K			DM8 DUAL 0-10V DIMMABLE TO 0.1%	
	40K			40K			DALI DALI TYPE 6 CONTROL SYSTEM, DIMMABLE TO 0.1%	
TWH1	TUNABLE WHITE 2700K - 6500K CRI 90+; R9 50+						DMX DMX CONTROL; DIMMABLE TO 0.1%	
RGBW	RGBW							

SAMPLE CODE (WITH DOWNLIGHT): KW1-P1FF-36-MW-CHG-LED1/27K-NF-LED1/27K-UNV-100-DM1
 SAMPLE CODE (WITHOUT DOWNLIGHT): KW1-P1FK-36-MW-CHG-LED1/27K-ND-UNV-100-DM1

*Body and canopy finish white textured paint (WTP) standard; power cord white unless specified; additional colors possible; contact your local rep for availability and lead times
 **For minimum CCL, see hanging systems details. Fixture will ship with one of three standard CCL's (48", 100" or 144") field adjustable to the desired height



MODS, NOTES, & COMMENTS

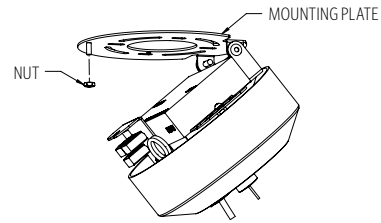
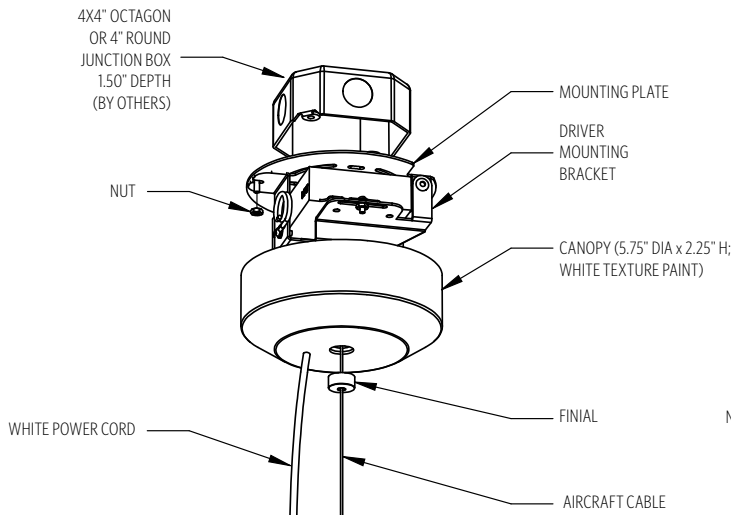
HANGING SYSTEM

PIFK PENDANT WITH 5.75" SURFACE MOUNT CANOPY, SINGLE CENTER AIRCRAFT CABLE AND WHITE POWER CORD; MOUNTS TO 4X4 OCTAGON J-BOX (BY OTHERS); INTEGRAL DRIVER;
NOTE: STATIC WHITE WITH NO DOWNLIGHT

MOUNTING INFORMATION CHART

SERIES	LUMINAIRE SIZE	LUMINAIRE WEIGHT	MIN/MAX OAH
KW1	36	9 LBS	32/166"
KW2	36	10 LBS	32/166"
KW3	36	9LBS	32/166"

PIFK ships with one of three CCL's (48", 100" or 144") and is field adjustable to the desired height.

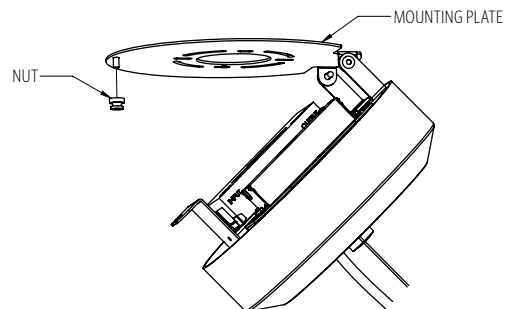
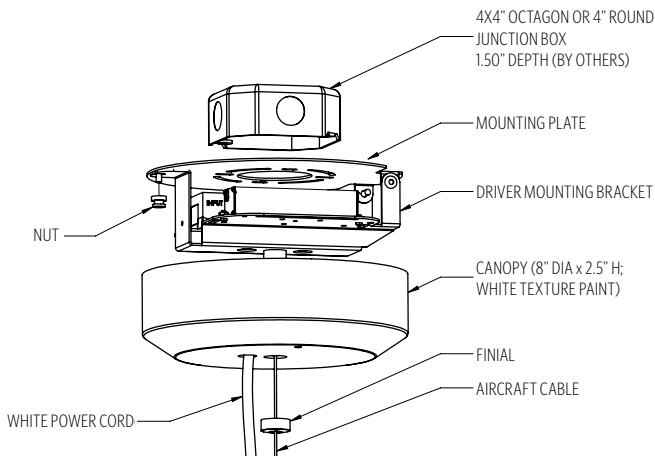


PIFF PENDANT WITH 8" SURFACE MOUNT CANOPY, SINGLE CENTER AIRCRAFT CABLE AND WHITE POWER CORD; MOUNTS TO 4X4 OCTAGON J-BOX (BY OTHERS); INTEGRAL DRIVERS; **NOTE:** STATIC WHITE WITH DOWNLIGHT ONLY

MOUNTING INFORMATION CHART

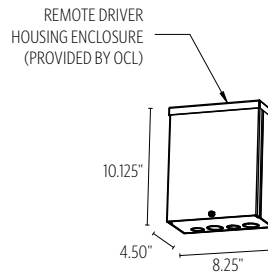
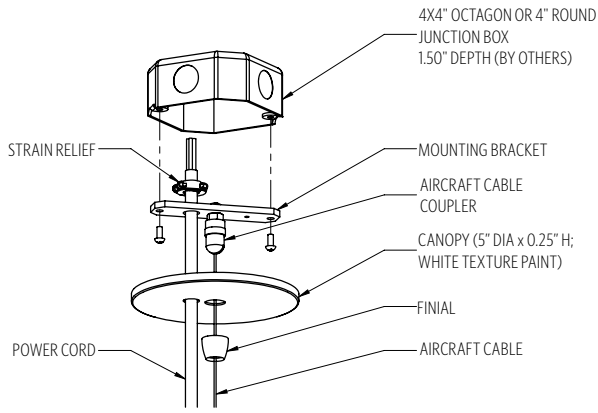
SERIES	LUMINAIRE SIZE	LUMINAIRE WEIGHT	MIN/MAX OAH
KW1	36	9 LBS	32/166"
KW2	36	10 LBS	32/166"
KW3	36	9LBS	32/166"

PIFF ships with one of three CCL's (48", 100" or 144") and is field adjustable to the desired height.



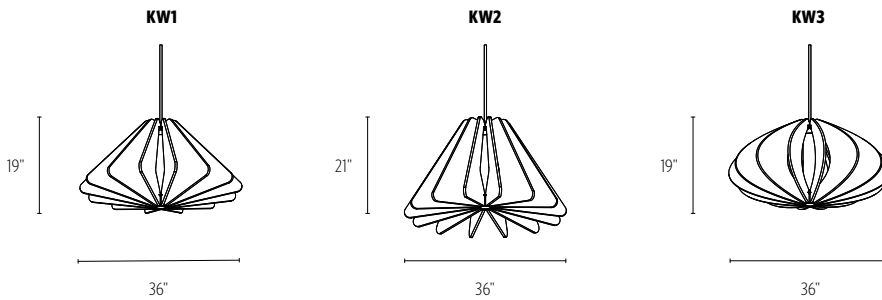
PIFG PENDANT WITH 5" FLAT CANOPY, SINGLE CENTER AIRCRAFT CABLE AND WHITE POWER CORD; MOUNTS TO 4X4 OCTAGON J-BOX (BY OTHERS); REMOTE DRIVER ENCLOSURE

MOUNTING INFORMATION CHART			
SERIES	LUMINAIRE SIZE	LUMINAIRE WEIGHT	MIN/MAX OAH
KW1	36	9 LBS	30/166"
KW2	36	10 LBS	30/166"
KW3	36	9 LBS	30/166"



PIFG ships with one of three CCL's (48", 100" or 144") and is field adjustable to the desired height.
PIFG will include ETL listed enclosure for remote mounting drivers. Max 30' distance from luminaire for **DM1, DM8, DALI** and **DMX**. Enclosure must remain accessible after installation.

SIZES



DIFFUSER

ACRYLIC FINISHES:



TEXTURED POWDER COAT FINISHES:

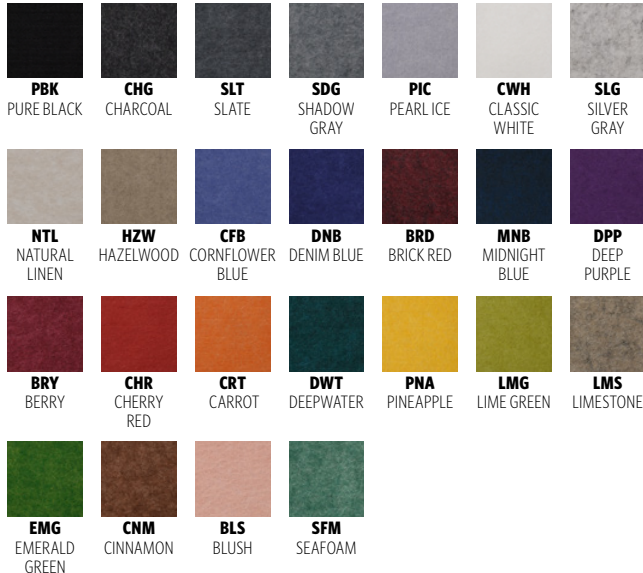


RAL®, Pantone® or custom finishes are also available.

These colors are for reference only. Please be aware that colors may vary per monitor. Contact your local rep for finish samples or with any questions.

FINISHES & MATERIALS

ACOUSTIC COLORS:



LIGHT SOURCE

	LUMENS AND WATTAGE CHART	BODY	DOWNLIGHT	
		36"	NF	WF
LED1	LUMENS DELIVERED	550	1525	1495
	SYSTEM WATTAGE	6	15	15
LED2	LUMENS DELIVERED	820	N/A	N/A
	SYSTEM WATTAGE	9	N/A	N/A
TWH1	LUMENS DELIVERED	550	N/A	N/A
	SYSTEM WATTAGE	6	N/A	N/A
RGBW	LUMENS DELIVERED	PENDING	N/A	N/A
	SYSTEM WATTAGE	PENDING	N/A	N/A

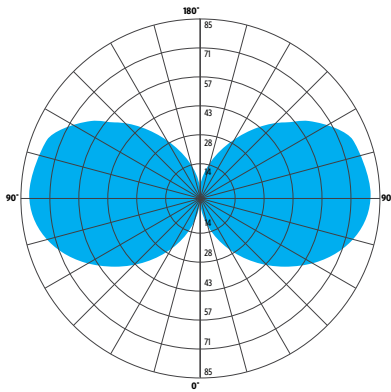
STANDARD COLOR TEMPERATURE OPTIONS	CRI
2700K	80+
3000K	80+
3500K	80+
4000K	80+
TUNABLE WHITE	90+
RGBW	80+

ZONE	LUMENS	% OF LUMINAIRE
0-30	16	2%
0-60	126	17%
0-90	360	49%
90-180	360	51%
0-180	734	100%

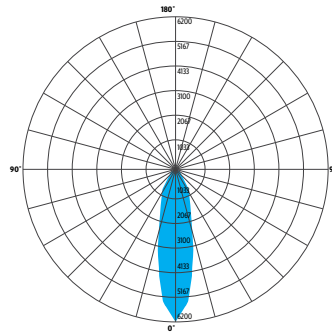
This chart was created for a 35K color temp. Multiply by 0.95 for 27k color temp, 0.97 for 30k color temp, and 1.03 for 40k color temp. Wattage and lumen data for **TWH1** and **RGBW** approx. pending LM-79 testing.

PHOTOMETRY:

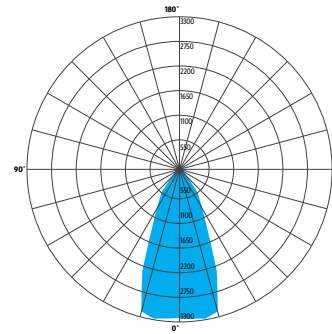
LUMINAIRE: KW3-P1FK-36-MW-WTP-CHG-LED2_35K-ND-UNV-36-DM
 COLOR TEMP #: 3500K
 EFFICACY: 92 LM/W
 TEST REPORT: TEST NO. 20865.0



BODY



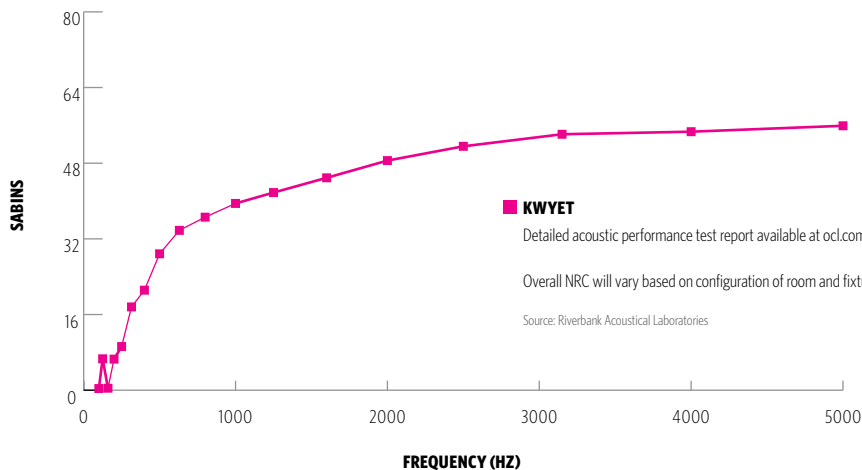
NARROW FLOOD (NF)



WIDE FLOOD (WF)

ACOUSTICAL TESTING

KWYET ACOUSTIC PERFORMANCE (4 UNITS):



KWYET

Detailed acoustic performance test report available at ocl.com

Overall NRC will vary based on configuration of room and fixtures.

Source: Riverbank Acoustical Laboratories

CONTROL

DM1 0-10V DIMMING 1%

- 0-10V DIMMING PROTOCOL
- 1% MINIMUM DIM LEVEL
- ELECTRONIC DRIVER
- POWER FACTOR >0.9
- THD <20%
- MINIMUM AMBIENT OPERATING TEMPERATURE -31°F
- LINEAR DIMMING CURVE
- FIELD REPLACEABLE

DALI DALI CONTROL SYSTEM, DIMMABLE 0.1%

- DALI-2 DEVICE TYPE 6 CONTROL PROTOCOL
- 0.1% MINIMUM DIM LEVEL
- ELECTRONIC DRIVER
- POWER FACTOR >0.9
- THD <20%
- MINIMUM AMBIENT OPERATING TEMPERATURE -4°F
- LOGARITHMIC DIMMING CURVE [DEFAULT]
- FIELD REPLACEABLE

DMX DMX CONTROL DIMMABLE TO 0.1%

- DMX/RDM DIMMING PROTOCOL
- 0.1% MINIMUM DIM LEVEL
- ELECTRONIC DRIVER
- POWER FACTOR >0.9
- THD <20%
- MINIMUM AMBIENT OPERATING TEMPERATURE -4°F
- LOGARITHMIC DIMMING CURVE [DEFAULT]
- FIELD REPLACEABLE

DM8 DUAL 0-10V DIMMING 0.1%

- 0-10V DIMMING PROTOCOL
- 0.1% MINIMUM DIM LEVEL
- ELECTRONIC DRIVER
- POWER FACTOR >0.9
- THD <20%
- MINIMUM AMBIENT OPERATING TEMPERATURE -4°F
- LOGARITHMIC DIMMING CURVE [DEFAULT]
- FIELD REPLACEABLE

OPTIONS

MOD MODIFIED LUMINAIRE

- LUMINAIRE IS MODIFIED FROM STANDARD OPTIONS; CONTACT LOCAL REP FOR MORE INFORMATION

SPECIFICATIONS

CONSTRUCTION

- LED MOUNTING CHANNEL EXTRUDED ALUMINUM
- DIFFUSER IS EXTRUDED FROSTED ACRYLIC
- BODY TOP/BOTTOM CAPS ARE DIE-CAST ALUMINUM
- CANOPY IS SPUN ALUMINUM
- HARDWARE IS ZINC PLATED OR STAINLESS STEEL

MOUNTING

- MOUNTS TO 4X4" OCTAGON OR 4" ROUND J-BOX (BY OTHER)

ELECTRICAL

- DIMMING ELECTRONIC DRIVER(S), COMES STANDARD
- WITH 0-10V DOWN TO 1% [STATIC WHITE]
- OCL PROPRIETARY LED ARRAYS USE NICHIA 757 DIODES [BODY LIGHT] STATIC WHITE
- BRIDGELUX V13 GEN 7 COB 80CRI [DOWNLIGHT]
- **FOR INTEGRAL DRIVERS:** LUMINAIRE CONNECTS TO BUILDING SUPPLY (120V-277V 50/60HZ)
- **FOR REMOTE DRIVERS:** LUMINAIRE WIRE LEADS ARE LOW-VOLTAGE. THE WIRES SHOULD BE CONNECTED TO OCL PROVIDED REMOTE DRIVER ENCLOSURE ONLY!

ACOUSTIC PANEL

- AFFIXED ACOUSTIC PANEL AIDS IN THE REDUCTION OF SOUND REFLECTIONS, REVERBERATION, AND ECHO
- ASTM E-84 CLASS A / CAN ULC S102 FLAME SPREAD: 0 | SMOKE DEVELOPMENT INDEX: 300
- 9MM 100% POLYESTER FIBER PANEL WITH A MINIMUM 50% POST-CONSUMER RECYCLED MATERIAL (PET)
- ACOUSTIC PERFORMANCE (ASTM C423) TEST REPORT AVAILABLE AT OCL.COM
- VARIATIONS IN FIBER MIX AND COLOR MAY OCCUR. ALL PRODUCTS WILL BE SUPPLIED WITHIN COMMERCIAL TOLERANCES
- **CARE & CLEANING:** REMOVE DUST AND DEBRIS WITH A CLEAN, SOFT, LINT-FREE CLOTH OR VACUUM

LISTING

- ETL LISTED TO UL 1598 FOR DRY LOCATIONS

WARRANTY

- 5 YEAR; ALL ELECTRICAL COMPONENTS RETAIN THE MANUFACTURER'S WARRANTY

SUSTAINABILITY

- THIS PRODUCT MEETS THE MATERIAL RESTRICTIONS OF ARTICLE 4 OF THE **ROHS** DIRECTIVE (2011/65/EU), INCLUDING COMMISSION DELEGATED DIRECTIVE 2015/863