

MARK ARCHITECTURAL LIGHTING

SPECIFICATIONS



MARKLINE

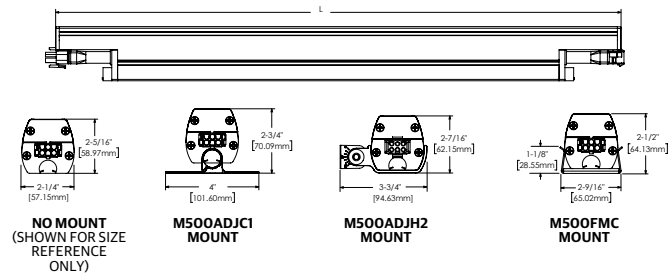
SURFACE
DYNAMIC COLOR

HIGHLIGHTS

- Small, versatile and impactful
- Extruded aluminum construction
- RGBW - Red, Green, Blue, White produces saturated color and pastels
- 9 x 9, 15 x 30, 10 x 60, 30 x 60, 40 x 60, 60 x 60 or wall wash distributions
- Powerful Range 650 or 750 lumens per foot
- Efficient with up to 90 lumens per watt
- DMX with Remote Device Management
- Full compliment of mounting and shielding accessories
- Manufactured in USA

DIMENSIONS

Reference Drawing Detail section for additional information

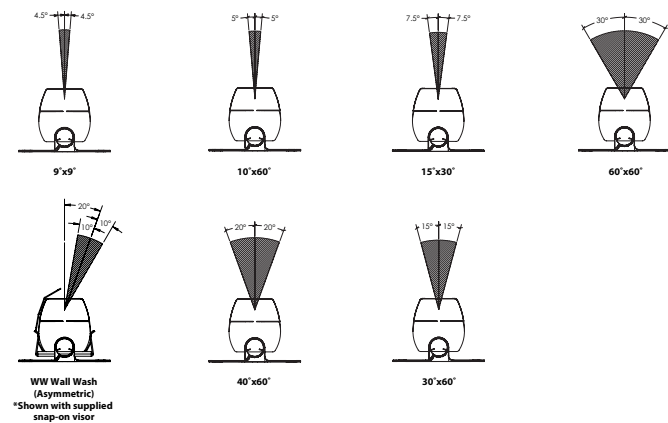


FIXTURE PERFORMANCE

MKS501 RGBW							
Distribution	WW	9x9	10x60	15x30	30x60	40x60	60x60
Delivered Lumens/Foot	650	631	632	814	833	772	826
Input Watts/Foot	8.95	11.86	11.86	8.95	8.95	8.95	8.95
Lumens/Watt	73	53	53	91	93	86	73

*Based on a 4ft, 750LMF fixture.

STANDARD DISTRIBUTION



ARCHITAINMENT
COLOR

AcuityBrands

	Project 21-12877-3 Date 6/25/2021 RGB/W Saturated Color	Catalog Number MKS501 LCB 4FT MSL4 M500ADJC1 ARTC RGBW 750LMF WW DARK MVOLT WTP DMX NOFCL	Type
	Submitted By 16500, INC	Notes	

MARK ARCHITECTURAL LIGHTING

MARKLINE

Surface Dynamic Color

ORDERING

Example: MKS501 LLP 40FT MSL4 M500FMC ARTC RGBW 650LMF 60X60DEG DARK MVOLT WTP DMX NOFCL

Series	Linear Plan	Total Run Length	Max Section Length	Mounting	Mounting Option
MKS501 MARKLINE 500 Series Surface	LLP Linear Longest Possible LCB Linear Center Balanced LSL Linear Same Length	_FT Specify continuous linear feet in 1' increments, with a minimum of 2'. (Example: 24FT)	MSL2 2' MSL3 3' MSL4 4'	M500ADJC1 Adjustable Mount Center Axis M500ADJH2 Adjustable Mount Side Hinge M500FMC Fixed Mount	(blank) No Cantilever Brackets MCBT12 Cantilever Bracket 12" Projection MCBT18 Cantilever Bracket 18" Projection MCBT6 Cantilever Bracket 6" Projection MCBT12 Cantilever Bracket Large 12" projection MCBT18 Cantilever Bracket Large 18" projection MCBT6 Cantilever Bracket Large 6" projection Must select M500ADJH2 Mounting.

Dynamic Feature	Dynamic Range	Direct LED Light Output	Distribution	Minimum Dimming Level	Optional Shielding
ARTC Architainment Color	RGBW Dynamic Color Red Green Blue White	650LMF 650 Nominal Lumens per Foot 750LMF 750 Nominal Lumens per Foot	10X60DEG 10 x 60 Degrees 15X30DEG 15 x 30 Degrees 30X60DEG 30 x 60 Degrees 40X60DEG 40 x 60 Degrees 60X60DEG 60 x 60 Degrees 9X9DEG 9 x 9 Degrees WW* Wall Wash (Asymmetric) *Supplied with a snap-on visor	DARK Constant Current, Dimming to <1%	(blank) No Optional Shielding MBFL Baffle Linear Surface MGVL Glare Visor Linear Surface

Voltage	Shielding	Finish	Control Input	Power Feed
MVOLT 120-277 Volt	(blank) Standard Clear Acrylic FCA Frosted Clear Acrylic	WTP White Textured Paint SIT Silver Textured Paint BKT Black Textured Paint RALTBD* RAL Color TBD CPF Custom Paint Finish *RALTBD for pricing only. Replace with applicable RAL number when placing order.	DMX DMX	M500WBXL Wire Splice Box, Left Feed, Interior Location, for Conduit Termination M500WBXR Wire Splice Box, Right Feed, Interior Location, for Conduit Termination MFCL100TL 100FT Feed Cable Interior Location Left Feed MFCL100TR 100FT Feed Cable Interior Location Right Feed MFCL10TL 10FT Feed Cable Interior Location Left Feed MFCL10TR 10FT Feed Cable Interior Location Right Feed MFCL25TL 25FT Feed Cable Interior Location Left Feed MFCL25TR 25FT Feed Cable Interior Location Right Feed MFCL50TL 50FT Feed Cable Interior Location Left Feed MFCL50TR 50FT Feed Cable Interior Location Right Feed NOFCL No Power Feed Cable

Model	Length	Weight
MKS501	24-1/4" (616 mm)	3.5 lbs (1.59 kg)
	36-1/8" (918 mm)	4.0 lbs (1.81 kg)
	48" (1219 mm)	5.0 lbs (2.27 kg)

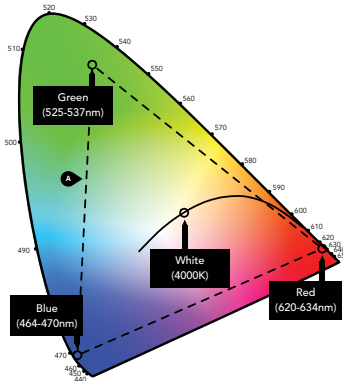
PERFORMANCE DATA

Lumens Per Foot	Fixture Length	Distribution	Delivered Lumens	Input Watts	Lumen/Watt	Delivered Lumens Per Foot	Input Watts Per Foot
650	2FT	9x9	1214	22.9	53	607	11.45
	2FT	10x60	1216	22.9	53	608	11.45
	2FT	15x30	1288	16.04	80	644	8.02
	2FT	30x60	1317	16.04	82	659	8.02
	2FT	40x60	1220	16.04	76	610	8.02
	2FT	60x60	1306	16.04	81	653	8.02
	2FT	WWD	1028	16.04	64	514	8.02
	3FT	9x9	1716	32.99	52	572	11.00
	3FT	10x60	1719	32.99	52	573	11.00
	3FT	15x30	2007	22.72	88	669	7.57
	3FT	30x60	2052	22.72	90	684	7.57
	3FT	40x60	1901	22.72	84	634	7.57
	3FT	60x60	2034	22.72	90	678	7.57
	3FT	WWD	1602	22.72	71	534	7.57
	4FT	9x9	2174	37.7	58	544	9.43
	4FT	10x60	2177	37.7	58	544	9.43
	4FT	15x30	2731	29.91	91	683	7.48
	4FT	30x60	2792	29.91	93	698	7.48
	4FT	40x60	2587	29.91	86	647	7.48
	4FT	60x60	2768	29.91	93	692	7.48
4FT	WWD	2180	29.91	73	545	7.48	

Lumens Per Foot	Fixture Length	Distribution	Delivered Lumens	Input Watts	Lumen/Watt	Delivered Lumens Per Foot	Input Watts Per Foot
750	2FT	9x9	1410	28.8	49	705	14.40
	2FT	10x60	1413	28.8	49	707	14.40
	2FT	15x30	1536	19.19	80	768	9.60
	2FT	30x60	1571	19.19	82	786	9.60
	2FT	40x60	1456	19.19	76	728	9.60
	2FT	60x60	1557	19.19	81	779	9.60
	2FT	WWD	1226	19.19	64	613	9.60
	3FT	9x9	1994	41.49	48	665	13.83
	3FT	10x60	1997	41.49	48	666	13.83
	3FT	15x30	2394	28.51	84	798	9.50
	3FT	30x60	2448	27.19	90	816	9.06
	3FT	40x60	2268	27.19	83	756	9.06
	3FT	60x60	2427	27.19	89	809	9.06
	3FT	WWD	1911	27.19	70	637	9.06
	4FT	9x9	2525	47.42	53	631	11.86
	4FT	10x60	2529	47.42	53	632	11.86
	4FT	15x30	3257	35.78	91	814	8.95
	4FT	30x60	3331	35.78	93	833	8.95
	4FT	40x60	3086	35.78	86	772	8.95
	4FT	60x60	3302	35.78	92	826	8.95
4FT	WWD	2600	35.78	73	650	8.95	

Lumen values are from photometric tests performed in accordance with IESNA LM-79-08. Data is considered to be representative of the configurations shown, within the tolerances allowed by Lighting Facts. Actual performance may differ as a result of end-user environment and application. Contact factory for performance data on any configurations not shown here.

RGB GAMUT AND RANGE



- The Gamut of a luminaire determines the potential color range, specifically the dominant wavelength of each primary color.
- The Path determines the range of colors the user can select for the luminaire.

ARCHITAINMENT COLOR GPHD

- Gamut: Triangular
- Path: Full RGB gamut
- Handle: Four Handles: Red, Green, Blue, White
- Data: DMX512/RDM

The RGBW Range reaches the full range of saturated colors and subtle pastels to create bold transformational effects.

A RGBW Range within triangle formed by RGB

MARK ARCHITECTURAL LIGHTING

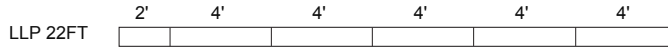
MARKLINE
Surface
Dynamic Color

LINEAR PLAN

Mark offers the ability to provide a continuous run plan to suit your requirements by optionally offering three methods of configuration.

LLP Longest Length Possible:

In this plan the longest length available is optimized resulting in the fewest segments and mounting locations. Caution should be used where balanced appearance is a concern. Example: 22FT row would have (5) 4FT segments and (1) 2FT segment located at one end.



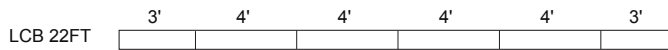
LSL Longest Same Length:

In this configuration each segment is the same length is standardized based on the longest length available and is the only option provided. Because it is dependent on one segment length there are mathematical limitations on what overall row lengths can be achieved. Example: 20FT row would be achieved with (5) 4FT long segments equalling 20FT (nominal).

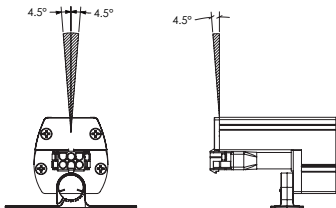


LCB Longest Center Balanced:

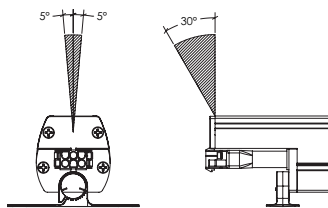
This configuration incorporates the longest center segment(s) along with any additional lengths required to fill located at each end. Example: 22FT row would have (2) 3FT segments (one at each end) and (4) 4FT intermediate segments located in between.



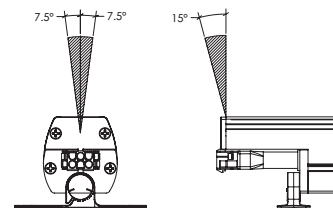
DISTRIBUTION



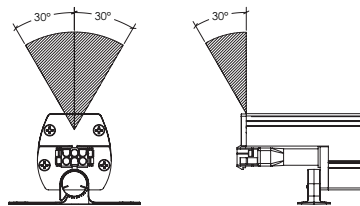
9x9 Degree



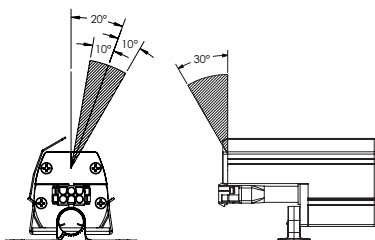
10x60 Degree



15x30 Degree

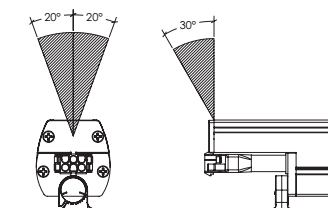


60x60 Degree

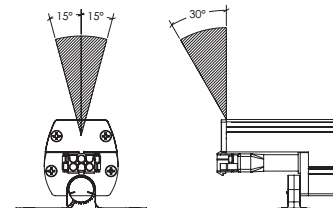


WW Wall Wash
(Asymmetric)

*Shown with supplied snap-on visor



40x60 Degree



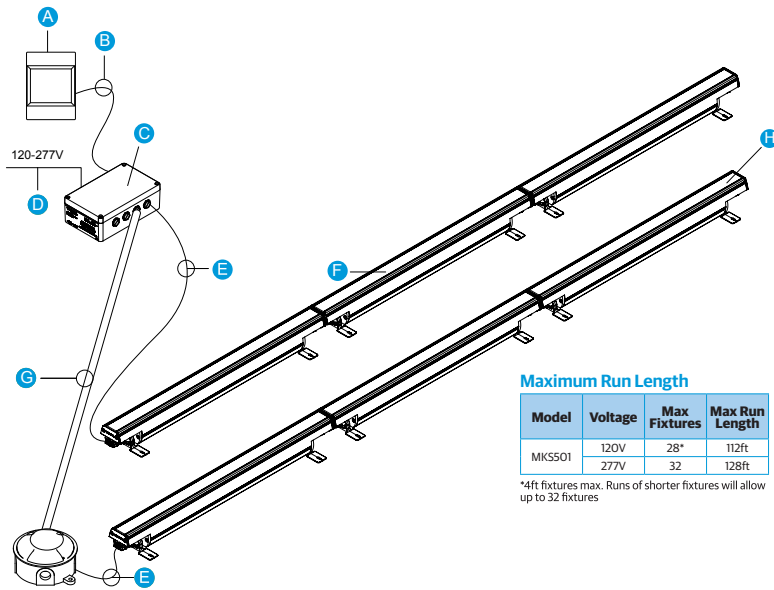
30x60 Degree

MARK ARCHITECTURAL LIGHTING

MARKLINE
 Surface
 Dynamic Color

BASIC SYSTEM WIRING INFORMATION WITH DMX

This very basic system wiring diagram provides an overview of components and materials required for a simple installation of MKS501 luminaires controlled by a DMX controller. These diagrams should not be used in place of actual installation instructions or submittal drawings prepared for a specific project.



Maximum Run Length

Model	Voltage	Max Fixtures	Max Run Length
MKS501	120V	28*	112ft
	277V	32	128ft

*4ft fixtures max. Runs of shorter fixtures will allow up to 32 fixtures

A DMX controller providing one universe of DMX-512 control.

To supply a complete system RDM set-up and playback control solution, use:

- Easy1
- Three versions available from entry-level to show creation using computer software
 - Full color LCD touchscreen
 - Recall colors, shows, and effects with one touch

Fresco

- Manage multiple light sources in multiple lighting zones, all from one controller
- On screen lighting design and set-up, no computer required or Ethernet connection for remote configuration and advanced control
- All device settings are stored on-board in non-volatile memory

B Belden 9829 cable is the preferred communication/data cable used to carry the DMX signal to and from the DPI Box. The total length of this cable must not exceed 1000 feet from the DMX controller to the DPI Box. No luminaires should be installed between DMX Controller and any DPI Box.

C DPI box (Data Power Integration) is used to bundle DMX to line voltage and deliver them to the luminaire. This box provides necessary isolation between the DMX control and line voltage and is required for all MKS501 installations. The DPI box also serves as a 4-channel splitter enabling up to 128 fixtures to be controlled from a single DPI box. Refer to DPI Installation Sheet for dimensions and mounting details.

D 120V-277V input to DPI box. Metallic conduit and standard fittings are compatible as are multi-conductor cords provided they are appropriate to the mounting location.

E Feed cable connects junction box with first fixture in a run. 14 ga. conductors carry power, shielded 18 ga. conductors carry data. Input end is stripped for connection to the Junction or DPI box, output end includes a male or female plug for fixture connection. Also included with each feed cable is a termination/sealing cap for the end of each run. Contact factory for availability of custom feed cable lengths.

F A maximum of 32 luminaires can be connected to a single output channel of the DPI box. The maximum length of cord and luminaire run combined is 1000 feet per DMX/RDM specification.

G Power and Data can be run to junction box locations in rigid conduit. Use Belden 9829 for data and copper wire per local code for power. Use appropriate fitting for combination cord.

H To ensure data integrity, a termination/sealing cap with 120 Ohm resistor is required at the last luminaire in each run. See installation instructions.

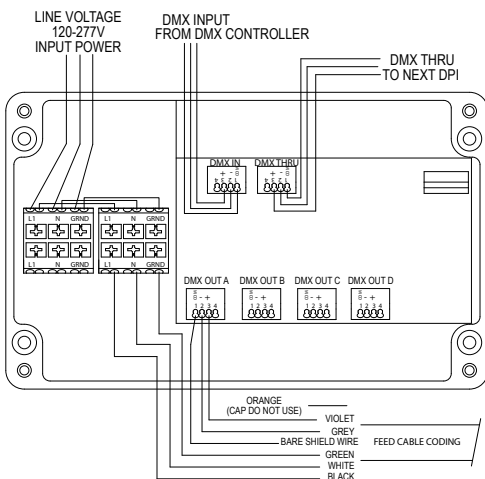
Easy1 Controller



Fresco Control System



Power & DMX Connection in DPI Box



A dynamic luminaire installation can be as simple as a single luminaire and one control to many different luminaires in multiple locations being triggered and manipulated in real time. Consulting with the factory at the beginning stages of the project will ensure the required equipment be specified and properly installed.

Note: For multiple runs and multiple DPI boxes, consult factory.

Note: No more than four DPI Boxes, in series, can be utilized between the DMX Controller and any luminaire.

ACCESSORY OPTIONS

Fresco Control System

Series	Model	Options	Finish
FCS Fresco Control System	7TSN 7" touchscreen with nLight port	(blank) nlight only X DMX/RDM control	DBL Black DWH White DNA Natural Aluminum



Refer to [FRESCO](#) spec sheet for additional details and options

EasyL™ LED Show Controller with LCD touchscreen (integral power supply)

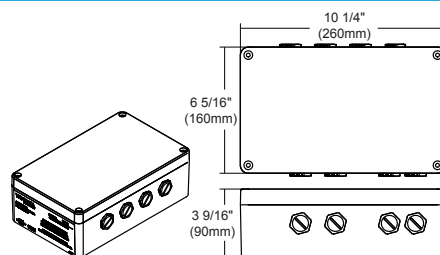
Series	Voltage	Finish
EZSOLO EasyL Solo	MVOLT 120V-277V VAC, 50/60 Hz	BK Black
EZTOUCH EasyL Touch		WH White
EZPRO EasyL Pro		



Refer to [EASYL](#) spec sheet for additional details and options

DMX / Power Integrator

Model
MDPI4W DPI4W- DMX/POWER INTEGRATOR BOX



Integrates DMX signal & 120-277 line voltage onto a single cable. Exterior rated, up to 4 output feeds, Silver Textured Finish.

Environmental Information

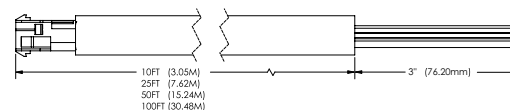
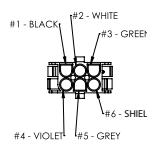
Storage Temperature	40° F - 185° F
Start-up Temperature	13° F - 122° F
Operating Temperature	13° F - 122° F
Ingress Protection Rating	IP65
Environment	Suitable for indoor and outdoor applications

Feed Cable, Right Feed (Female Plug)

*Minimum of one feed cable, left or right, required per installation

Model

- MFCL10TR BCRD DXP** 10FT Feed Cable w/ Sealing Cap, Right Feed, Interior Location (Black)
- MFCL25TR BCRD DXP** 25FT Feed Cable w/ Sealing Cap, Right Feed, Interior Location (Black)
- MFCL50TR BCRD DXP** 50FT Feed Cable w/ Sealing Cap, Right Feed, Interior Location (Black)
- MFCL100TR BCRD DXP** 100FT Feed Cable w/ Sealing Cap, Right Feed, Interior Location (Black)
- MFCL10TR WCRD DXP** 10FT Feed Cable w/ Sealing Cap, Right Feed, Interior Location (White)
- MFCL25TR WCRD DXP** 25FT Feed Cable w/ Sealing Cap, Right Feed, Interior Location (White)
- MFCL50TR WCRD DXP** 50FT Feed Cable w/ Sealing Cap, Right Feed, Interior Location (White)
- MFCL100TR WCRD DXP** 100FT Feed Cable w/ Sealing Cap, Right Feed, Interior Location (White)



Carries DMX signal and 120-277 line voltage power to right end of first fixture in run. Supplied with termination/sealing cap. *Use one feed cable per run only.*

ACCESSORY OPTIONS (CONTINUED)

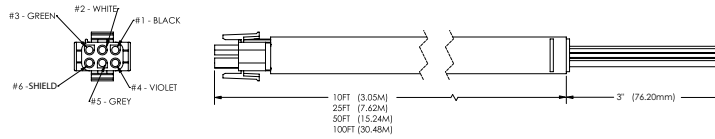
Feed Cable, Left Feed (Male Plug)

*Minimum of one feed cable, left or right, required per installation

Carries DMX signal and 120-277 line voltage power to left end of first fixture in run. Supplied with termination/sealing cap. *Use one feed cable per run only.*

Model

- MFCL10TL BCRD DXP** 10FT Feed Cable w/ Sealing Cap, Left Feed, Interior Location (Black)
- MFCL25TL BCRD DXP** 25FT Feed Cable w/ Sealing Cap, Left Feed, Interior Location (Black)
- MFCL50TL BCRD DXP** 50FT Feed Cable w/ Sealing Cap, Left Feed, Interior Location (Black)
- MFCL100TL BCRD DXP** 100FT Feed Cable w/ Sealing Cap, Left Feed, Interior Location (Black)
- MFCL10TL WCRD DXP** 10FT Feed Cable w/ Sealing Cap, Left Feed, Interior Location (White)
- MFCL25TL WCRD DXP** 25FT Feed Cable w/ Sealing Cap, Left Feed, Interior Location (White)
- MFCL50TL WCRD DXP** 50FT Feed Cable w/ Sealing Cap, Left Feed, Interior Location (White)
- MFCL100TL WCRD DXP** 100FT Feed Cable w/ Sealing Cap, Left Feed, Interior Location (White)

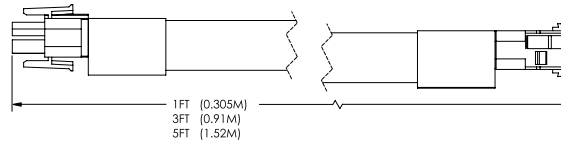


Jumper Cable *Optional*

Carries DMX or NON-DMX signal and 120-277 line voltage power between two units in a run when larger spacing between units is required.

Model

- MJCLW1T BCRD** 1FT Jumper Cable Interior Location (Black)
- MJCLW3T BCRD** 3FT Jumper Cable Interior Location (Black)
- MJCLW5T BCRD** 5FT Jumper Cable Interior Location (Black)
- MJCLW1T WCRD** 1FT Jumper Cable Interior Location (White)
- MJCLW3T WCRD** 3FT Jumper Cable Interior Location (White)
- MJCLW5T WCRD** 5FT Jumper Cable Interior Location (White)

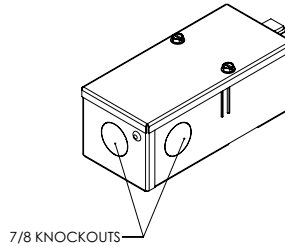


ACCESSORY OPTIONS (CONTINUED)

Wire Splice Box, Right Feed (Female Plug), *Optional*
***Minimum of one wire splice box, left or right, required for installation**

Model

- M500WBXR DXP** Wire Splice Box w/ Sealing Cap, Right Feed, Interior Location (Galvanized Steel)
- M500WBXR WTPP DXP** Wire Splice Box.w/ Sealing Cap, Right Feed, Interior Location (White)

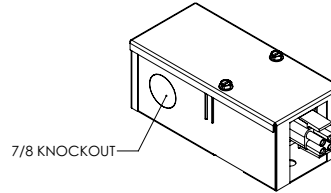


Replaces feed cable for areas where flexible cord cannot be used to bring input DMX signal and 120-277 line voltage power to right end of beginning of run. Box allows 1/2" NPT conduit fitting connection and area for building wire splice connections. Supplied with termination/sealing cap.
Use one wire splice box per run only.

Wire Splice Box, Left Feed (Male Plug), *Optional*
***Minimum of one wire splice box, left or right, required for installation**

Model

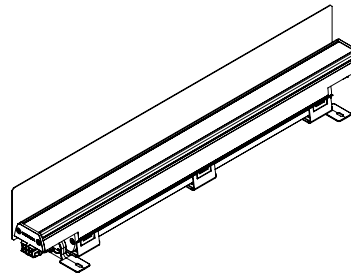
- M500WBXL DXP** Wire Splice Box.w/ Sealing Cap, Left Feed, Interior Location (Galvanized Steel)
- M500WBXL WTPP DXP** Wire Splice Box.w/ Sealing Cap, Left Feed, Interior Location (White)



Replaces feed cable for areas where flexible cord cannot be used to bring input DMX signal and 120-277 line voltage power to right end of beginning of run. Box allows 1/2" NPT conduit fitting connection and area for building wire splice connections. Supplied with termination/sealing cap.
Use one wire splice box per run only.

Glare Visor (Linear) *Optional*

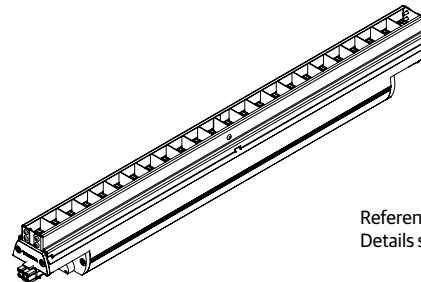
Model	Fixture Section	Finish
MGVL5 Glare Visor Linear Surface	U2 2FT Length Unit	BKT Black Textured Paint
	U3 3FT Length Unit	SIT Silver Textured Paint
	U4 4FT Length Unit	WTP White Textured Paint
		RALTBD RAL Paint Finish
		CPF Custom Painted Finish



Reference Additional Accessory Details section for dimensions

Baffle (Linear) *Optional*

Model	Fixture Section
MBFL5 Baffle Linear Surface (Available in matte black finish only)	U2 2FT Length Unit
	U3 3FT Length Unit
	U4 4FT Length Unit



Reference Additional Accessory Details section for dimensions

MARK ARCHITECTURAL LIGHTING

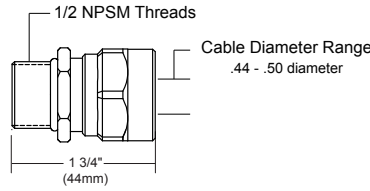
MARKLINE
Surface
Dynamic Color

ACCESSORY OPTIONS (CONTINUED)

Liquid-Tight Cord Grip

Model

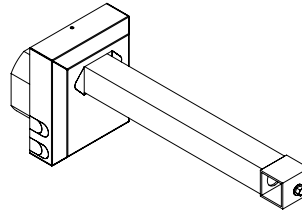
MCORDGP2 Liquid-Tight Cord Grip
(Use to secure and seal feed cord to DPI Box)



Connector to secures and seal feed cord.

Brackets *Optional*

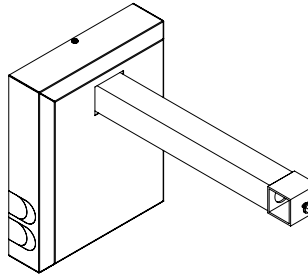
Series	Finish
MCBT6 Cantilever Bracket 6" Projection	BKT Black Textured Paint
MCBT12 Cantilever Bracket 12" Projection	SIT Silver Textured Paint
MCBT18 Cantilever Bracket 18" Projection	WTP White Textured Paint
	RALTB RAL Paint Finish
	CPF Custom Painted Finish



Reference Additional Accessory Details section for dimensions

Brackets *Optional*

Series	Finish
MCBTL6 Cantilever Bracket Large 6" Projection	BKT Black Textured Paint
MCBTL12 Cantilever Bracket Large 12" Projection	SIT Silver Textured Paint
MCBTL18 Cantilever Bracket Large 18" Projection	WTP White Textured Paint
	RALTB RAL Paint Finish
	CPF Custom Painted Finish



For use with surface mount junction box (by others) and surface mounted conduit (by others).

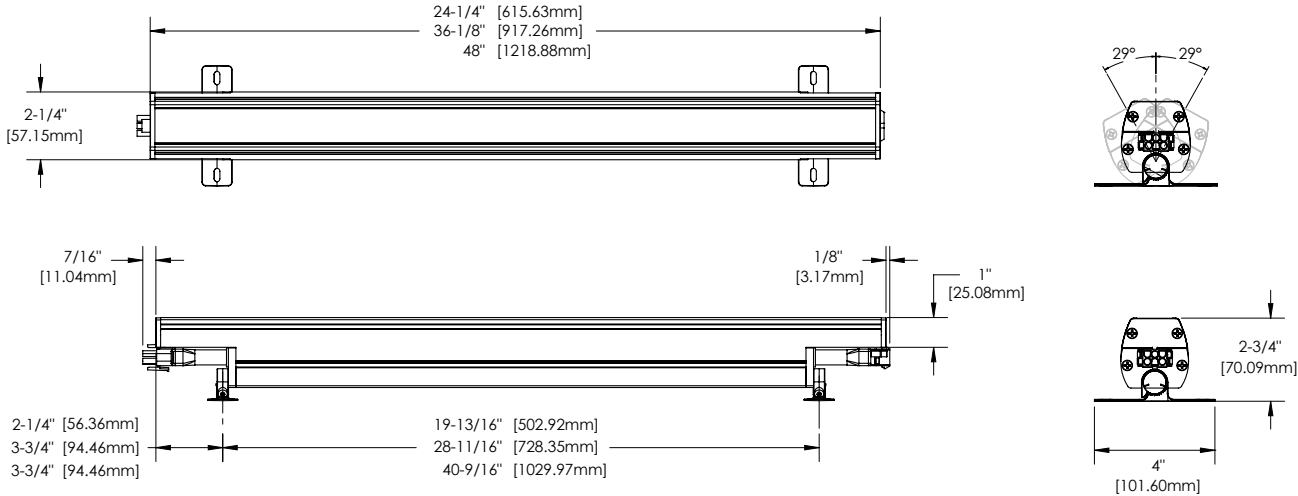
Reference Additional Accessory Details section for dimensions

MARK ARCHITECTURAL LIGHTING

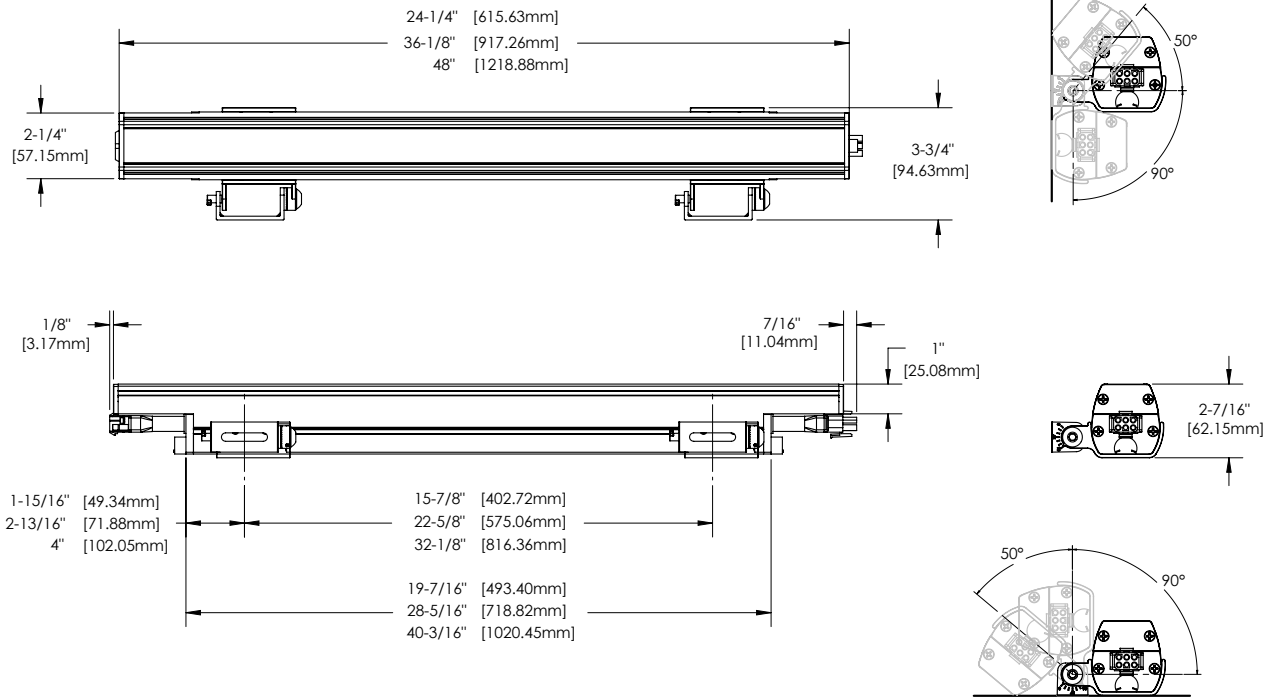
MARKLINE
Surface
Dynamic Color

DRAWING DETAILS

M500ADJC1 - Adjustable Mount Center Axis



M500ADJH2 - Adjustable Mount Side Hinge

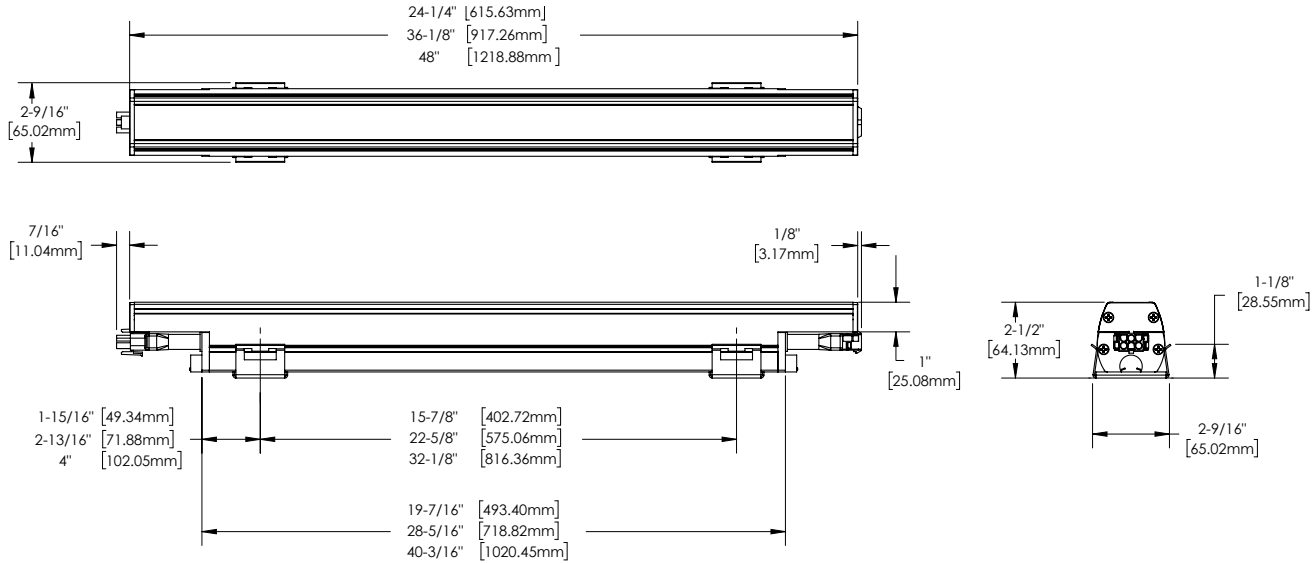


MARK ARCHITECTURAL
LIGHTING

MARKLINE
Surface
Dynamic Color

DRAWING DETAILS (CONTINUED)

M500FMC - Fixed Mount

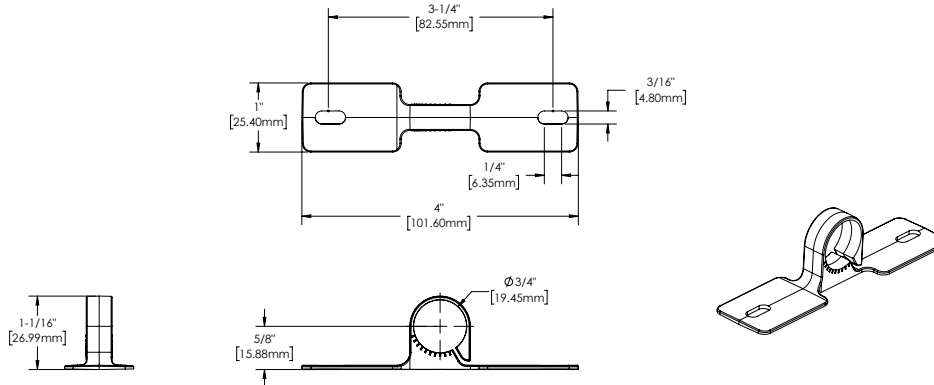


MARK ARCHITECTURAL LIGHTING

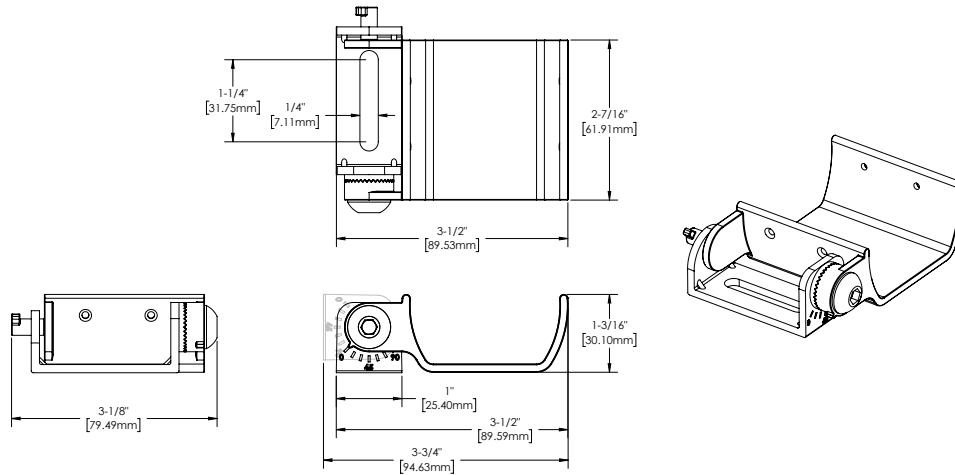
MARKLINE
Surface
Dynamic Color

DRAWING DETAILS (CONTINUED)

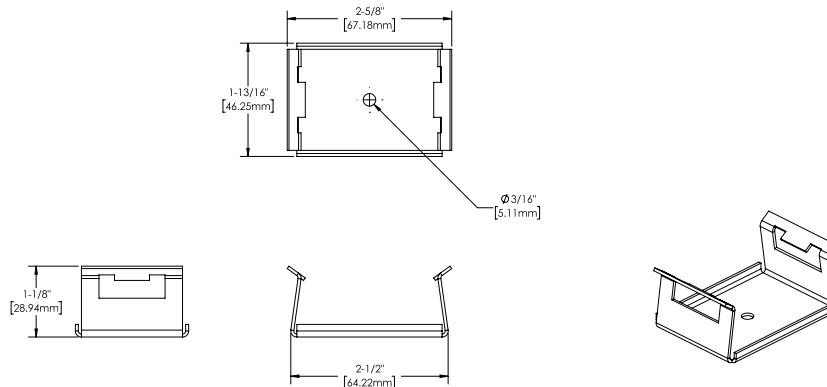
M500ADJC1 - Adjustable Mount Center Axis Detail



M500ADJH2 - Adjustable Mount Side Hinge Detail



M500FMC - Fixed Mount Detail

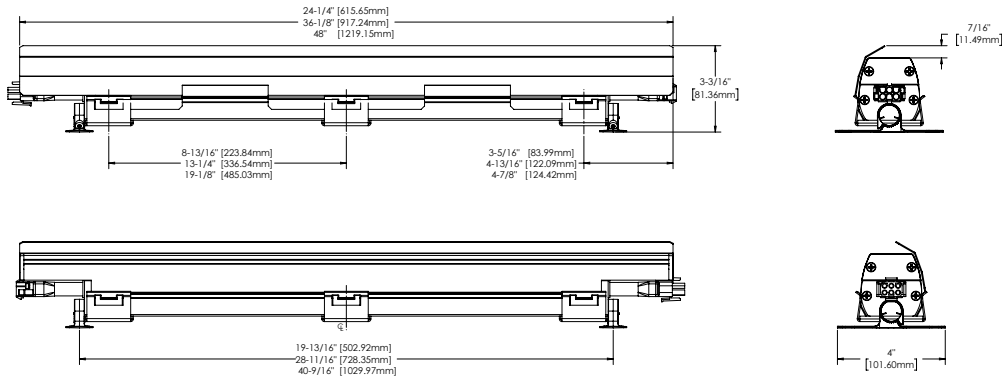


MARK ARCHITECTURAL LIGHTING

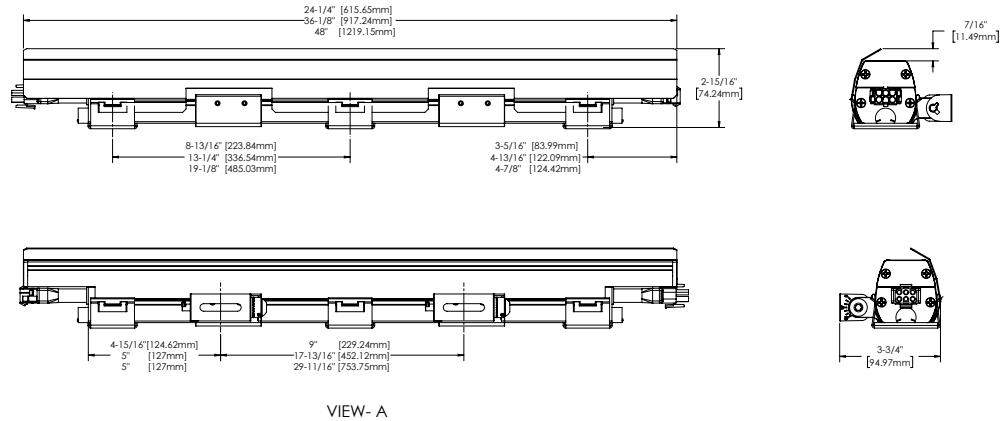
MARKLINE
Surface
Dynamic Color

DRAWING DETAILS (CONTINUED)

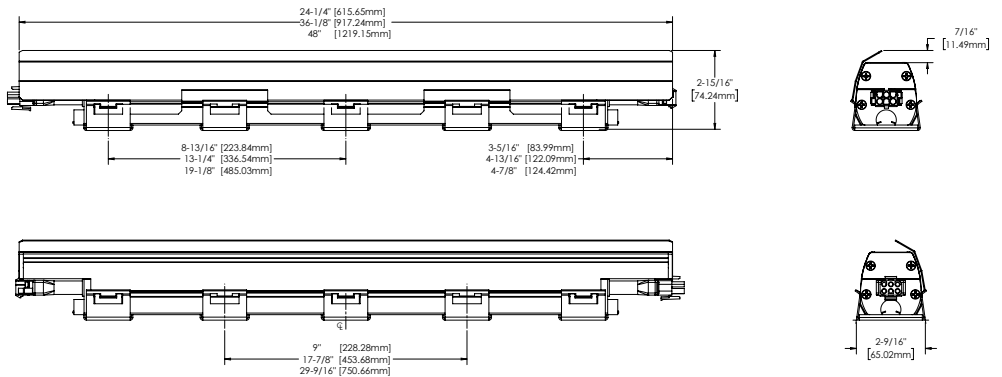
WW Asymmetric Glare Visor with M500ADJC1 Mount
Automatically included when WW distribution is ordered.



WW Asymmetric Glare Visor with M500ADJH2 Mount
Automatically included when WW distribution is ordered.



WW Asymmetric Glare Visor with M500FMC Mount
Automatically included when WW distribution is ordered.

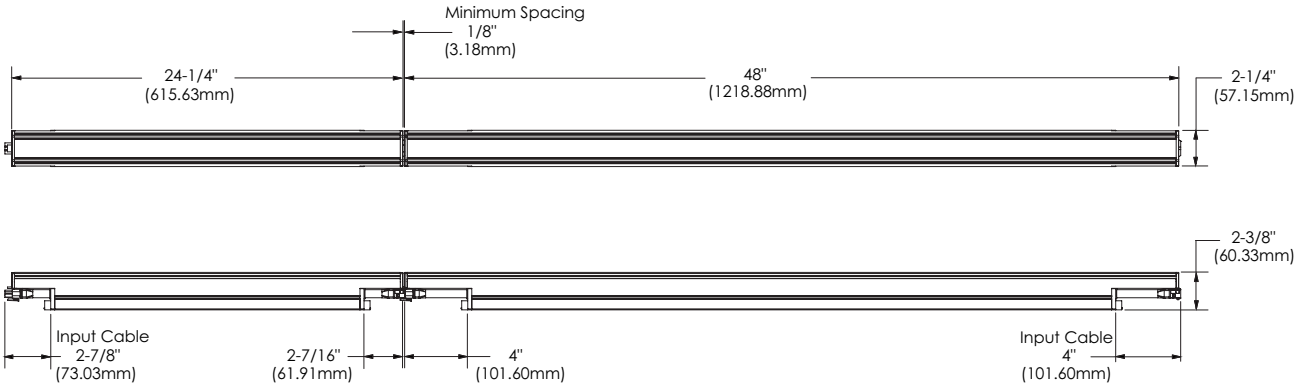


MARK ARCHITECTURAL LIGHTING

MARKLINE
Surface
Dynamic Color

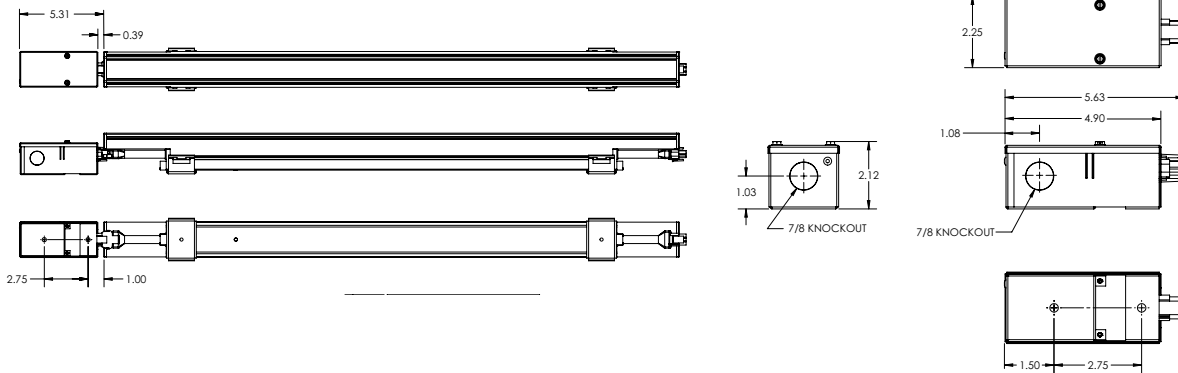
DRAWING DETAILS (CONTINUED)

MKS501 Series Typical End-To-End Run Configuration

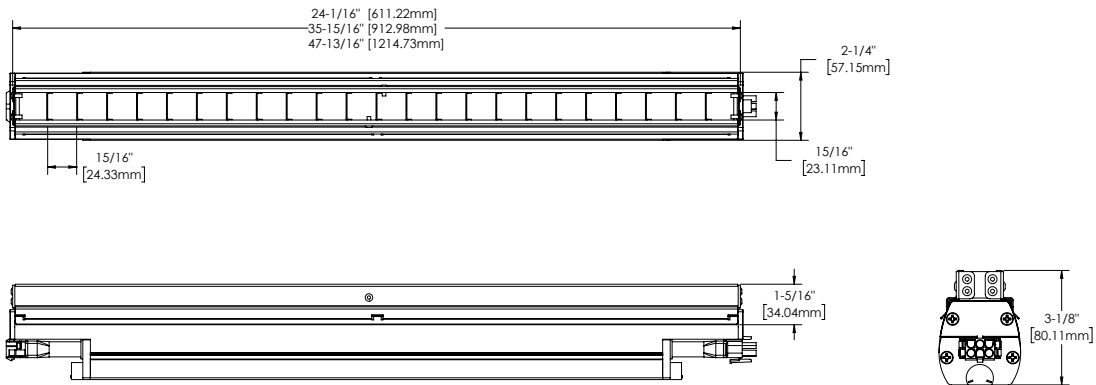


ADDITIONAL ACCESSORY DETAILS

M500WBX Details
(Same dimensions apply for Left or Right Feed)



Baffle Linear Surface

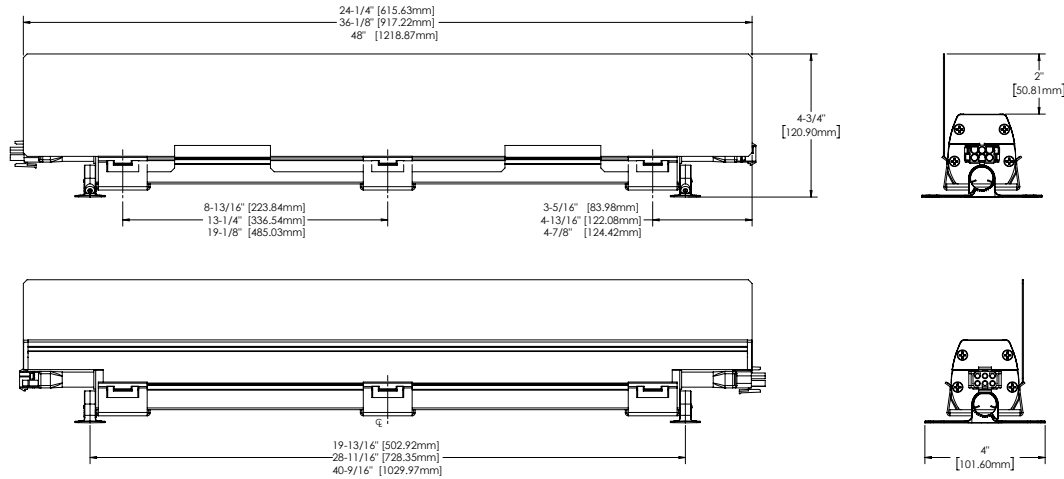


MARK ARCHITECTURAL
LIGHTING

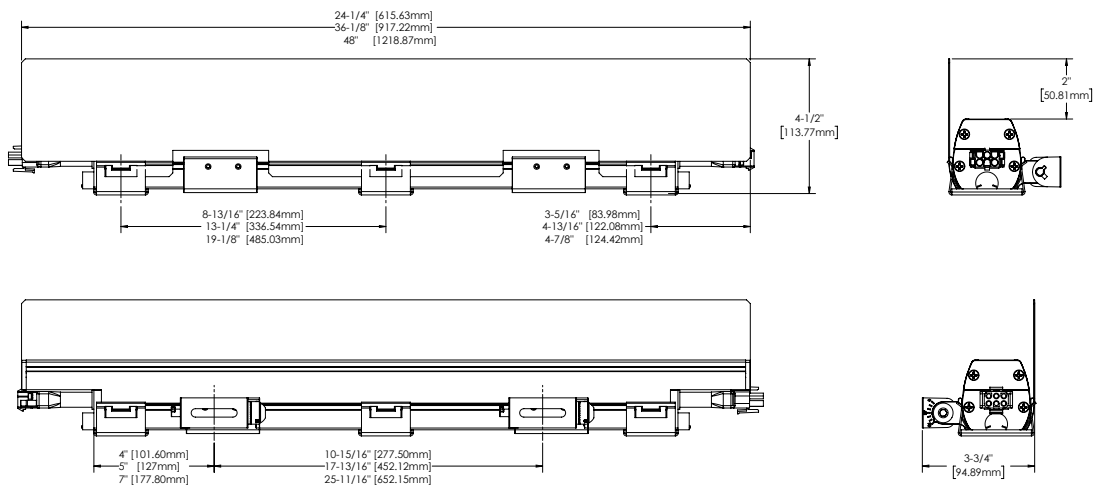
MARKLINE
Surface
Dynamic Color

ADDITIONAL ACCESSORY DETAILS (CONTINUED)

Glare Visor with M500ADJC1 Mount

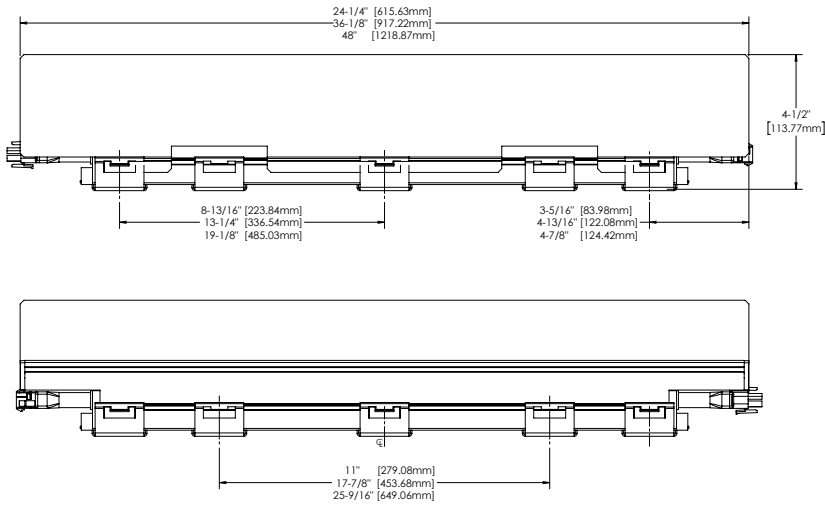


Glare Visor with M500ADJH2 Mount

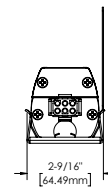
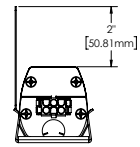


ADDITIONAL ACCESSORY DETAILS (CONTINUED)

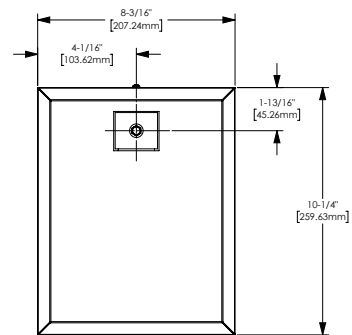
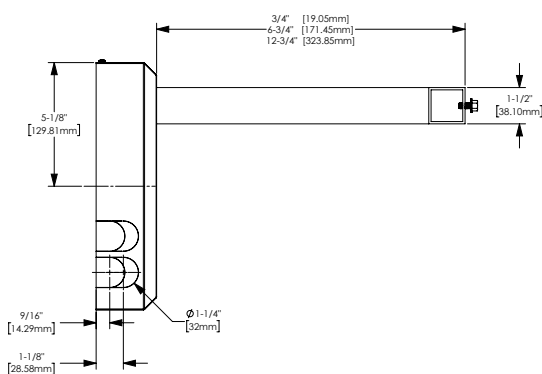
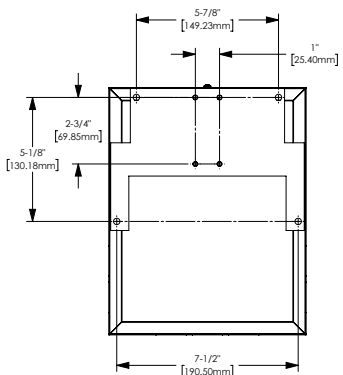
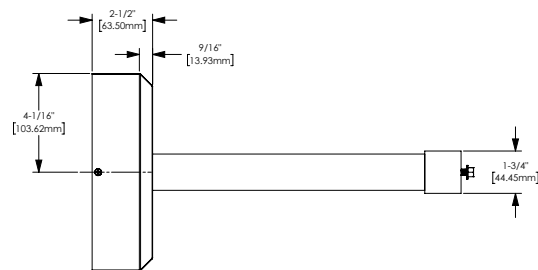
Glare Visor with M500FMC Mount



*The (3) visor clips can also be used for mounting fixture to surface.



Cantilever Bracket Large Detail

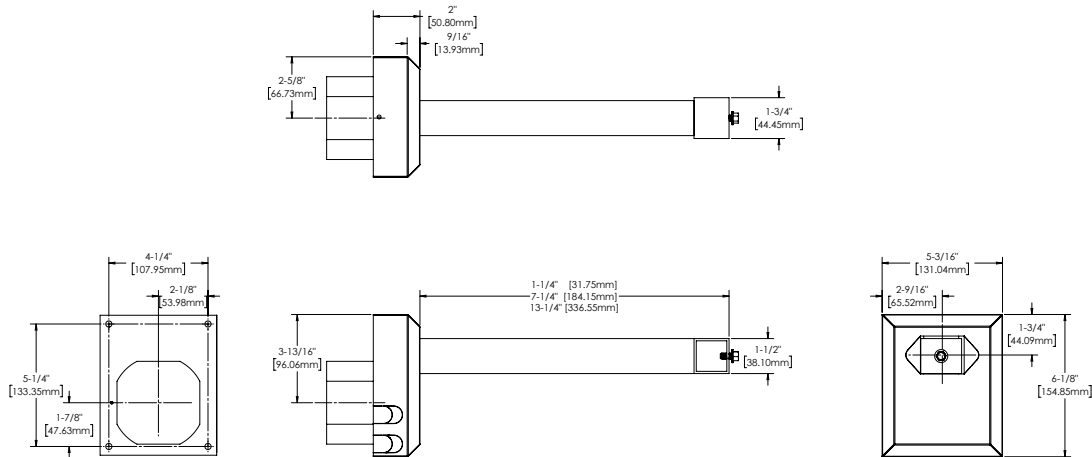


MARK ARCHITECTURAL
LIGHTING

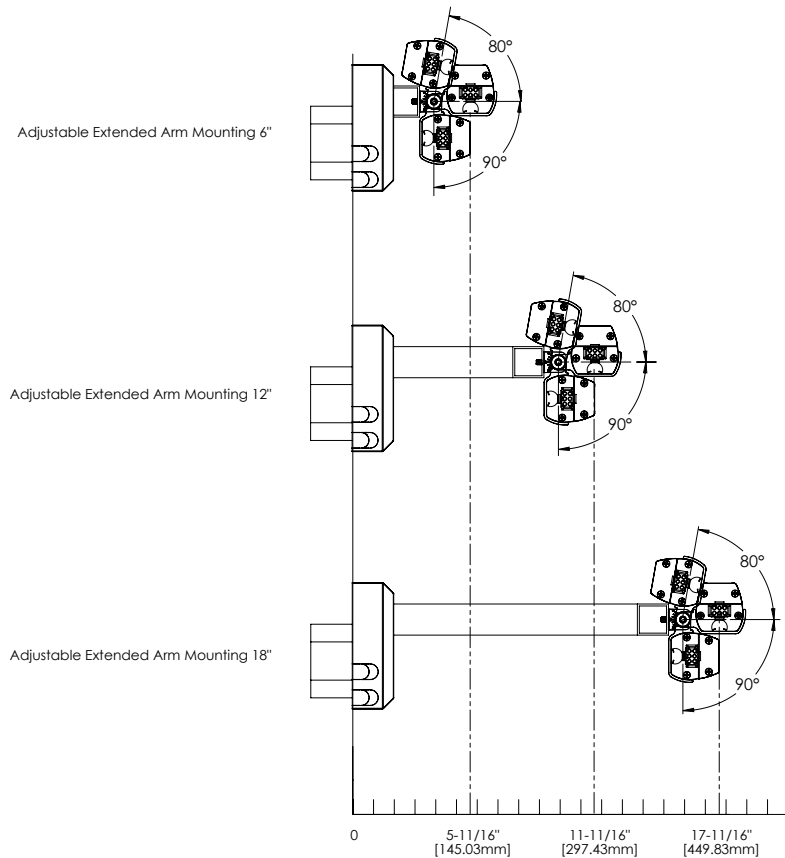
MARKLINE
Surface
Dynamic Color

ADDITIONAL ACCESSORY DETAILS (CONTINUED)

Cantilever Bracket Detail



Cantilever Bracket Detail with M500ADJH2 and Fixture

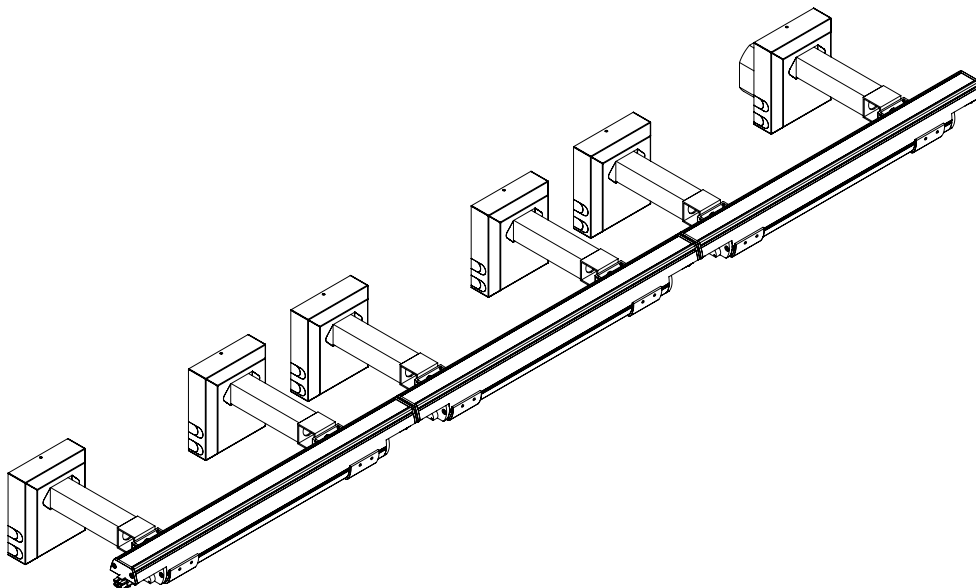
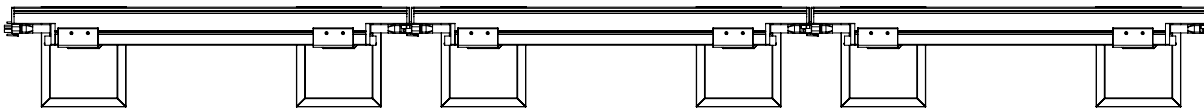
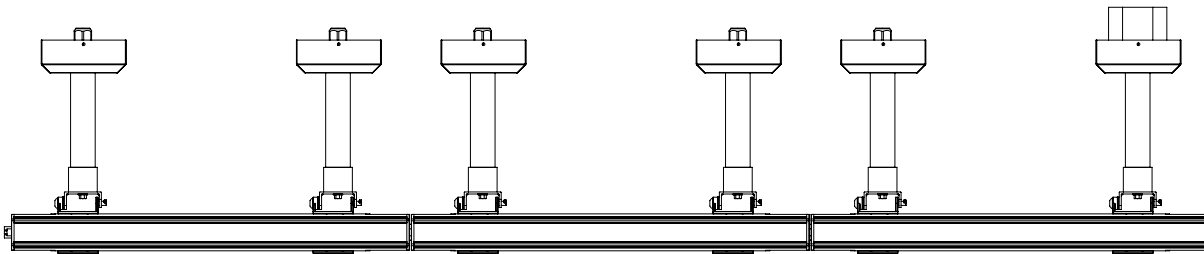


MARK ARCHITECTURAL
LIGHTING

MARKLINE
Surface
Dynamic Color

ADDITIONAL ACCESSORY DETAILS (CONTINUED)

**MKS501 Series Typical End-To-End Run Configuration with Cantilever Brackets
(Showing 6-foot run of (3) 2-foot units with MCBT12 bracket accessory)**



SPECIFICATIONS

Voltage: 120 through 277v/60Hz

Distribution: 9° x 9°, 10° x 60°, 15° x 30°, 30° x 60°, 40° x 60°, 60° x 60°, Asymmetric Wall Wash

Size: 2.25 W x 2.31 H

Housing: Extruded aluminum snap together construction

Finish: Polyester powder coat painted finish. Black oxide fastener color with BKT finish and natural stainless steel fastener color with WTP & SIT finishes

Lens Material: Extruded acrylic

Lumen Maintenance: (9° x 9°, 10° x 60°): 60,000 hours L70 @ +120deg C (15° x 30°, 30° x 60°, 40° x 60°, 60° x 60°, WWD): 120,000 hours L70@ +55deg C

LED Color Mix: 12 LEDs per 12 inches in a 1:1 ratio (1xRed, 1xGreen, 1xBlue, 1xWhite)

Lumiled Color Wavelengths: RED (620-634nm), GREEN (525-537nm), BLUE (464-470nm), WHITE (4000K)

Control System: EasyL or Fresco DMX512 controller

Ambient Temperature Ranges: -40° to +45°C

Mounting: Suitable for mounting within the space between ground and 4FT (1.2M) of the ground. Suitable for damp location applications.

Certification/Compliance: CSA Certified to meet U.S. and Canadian standards conforming to UL 1598 and CAN/CSA C22.2 No. 250.0

Weight: 24" - 3.5 lbs (1.59 kg) / 36" - 4.0 lbs (1.81 kg) / 48" - 5.0 lbs (2.27 kg)

Buy American: This product is assembled in the USA and meets the Buy America(n) government procurement requirements under FARS, DFARS and DOT. Please refer to www.acuitybrands.com/resources/buy-american for additional information.

Warranty: 5-year limited warranty. Complete warranty terms located at: www.acuitybrands.com/support/customer-support/terms-and-conditions

Actual performance may differ as a result of end-user environment and application. All values are design or typical values, measured under laboratory conditions at 25°C. Specifications subject to change without notice.

Assembled in America: Buy American Act Compliant