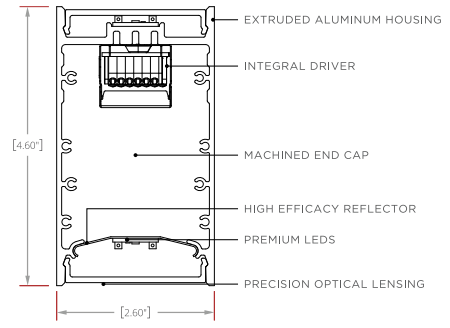


# HASSIUM 2

OVERVIEW • SPECIFICATIONS • ORDERING

CABLE SUSPENDED CS

DATE	PROJECT	FIRM	TYPE
------	---------	------	------



**PERFORMANCE**

STATIC WHITE | FLOOD DIRECT & FLOOD INDIRECT

POWER LEVELS	LIGHT DIRECT LM/4FT	LIGHT INDIRECT LM/4FT	TOTAL LIGHT LM/4FT	ENERGY WATTS/4FT	EFFICACY LPW	CCT/CRI
VL	2115	2323	4438	32	139	4000/80
L	2964	3256	6220	48	130	4000/80
S	3925	4311	8235	64	129	4000/80
H	4722	5187	9909	80	124	4000/80
VH	5696	6256	11953	96	125	4000/80



**FEATURES:**

- PRECISION OPTICAL LENSING OPTIONS OR HIGH TRANSMISSION FROSTED LENSING
- 1% DIMMING DRIVERS STANDARD
- ADJUSTABLE AIRCRAFT CABLE SUSPENSION SYSTEM
- EXTRUDED ALUMINUM HOUSING WITH NO VISIBLE FASTENERS
- MACHINED ALUMINUM END CAPS WITH EASY ACCESS REMOVAL
- BI-DIRECTIONAL FIXTURE

CCT MULTIPLIERS STATIC WHITE

CCT	2700K		3000K		3500K		4000K		5000K	
CRI	80	90	80	90	80	90	80	90	80	90
MULTIPLIER	0.93	0.79	0.96	0.82	0.97	0.85	1	0.89	1.01	0.89



NOTE: ALL ITALICIZED OPTIONS MAY INCREASE LEAD TIME. PLEASE CONSULT FACTORY WITH QUESTIONS.

FIXTURE MODEL	MOUNTING	NOMINAL LENGTH (FT)	CCT/CRI	DIRECT POWER LEVEL <sup>1</sup>	DIRECT BEAM DISTRIBUTION	INDIRECT POWER LEVEL <sup>1</sup>	INDIRECT BEAM DISTRIBUTION <sup>1</sup>	DRIVER
HS2 Hassium 2	<b>CS</b> Cable Suspended <i>CSD Cable Suspended Direct Only</i>	2 3 4 5 6 7 8 CR <sup>1</sup> Continuous Run (Specify Length in Nominal Feet)	<b>827</b> <b>830</b> <b>835</b> <b>840</b> <b>850</b> <b>927</b> <b>930</b> <b>935</b> <b>940</b> <b>950</b> <i>TW2765</i> <i>WD1827</i> <i>RGBW<sup>1</sup></i>	<b>VL</b> Very low <b>L</b> Low <b>S</b> Standard <b>H</b> High <b>VH</b> Very High	<b>G</b> Graze <b>N</b> Narrow <b>F</b> Flood <b>F</b> Flood <b>W</b> Wall Wash <b>A</b> Aisle	<b>VL</b> Very low <b>L</b> Low <b>S</b> Standard <b>H</b> High <b>VH</b> Very High	<b>F</b> Flood <b>B</b> Batwing	<b>1D</b> EldoLED 1% <i>01D EldoLED 0.1%</i>  <i>LDE1 Lutron Ecosystem 1%</i> <i>LDES Lutron Ecosystem 5%</i>  <i>1DT (TW)</i> <i>1DW (WD)</i> <i>DMX (RGBW)<sup>1</sup></i> <i>DALI (INTL)</i>
				1. 2ft & 3ft - must have same power output for up and down		1. 2ft & 3ft - must have same power output for up and down		1. Driver must reside in remote housing

HOUSING FINISH	END CAPS FINISH	CANOPY SIZE	CANOPY FINISH	POWER CORD	CABLE LENGTH	OPTIONS
<b>SC</b> Satin Clear Anodize <b>SW</b> Satin White Powder Coat <b>MB</b> Matte Black Powder Coat	<b>MF</b> Machined Finish <b>SW</b> Satin White <b>MB</b> Matte Black	<b>44</b> 4" Power feed canopy 4" Non-power feed canopy <b>40</b> 4" Power feed canopy Canopy only at power feed <b>41</b> 4" Non-power feed canopy 1" Non-power feed canopy	<b>MF</b> Machine Finish <b>SW</b> Satin White <b>MB</b> Matte Black	<b>W</b> White <b>G</b> Gray <b>B</b> Black	<b>4 4'</b> <b>8 8'</b>	<b>EMB7<sup>1,3</sup></b> 7 Watt battery back-up (Approximately 600 lumens) <b>EMB12<sup>1,4</sup></b> 12 Watt battery back-up (Approximately 1000 lumens) <b>EMW<sup>1,2</sup></b> Emergency Circuit Wiring <i>WSN nLight Sensor</i> <i>WSE WSE Enlighted Sensor</i> <i>WSW WSW Wavelinx Sensor</i> <i>WSL Lutron Vive Sensor</i> <i>Dual Dual Circuit</i>
						1. EMB/EMW only linked to first section of continuous run 2. EMW not available for 2ft/3ft lengths 3. EMB7 - 6ft and up 4. EMB12 - 7ft and up 5. EMB not available for combined 8ft length & VH power

NOTE: All italicized options may increase lead time. Please consult factory with questions.

**GENERAL**  
All fixtures are UL listed for dry and damp locations. INTEGRAL DRIVER for all options. Please contact the factory with any specification questions.

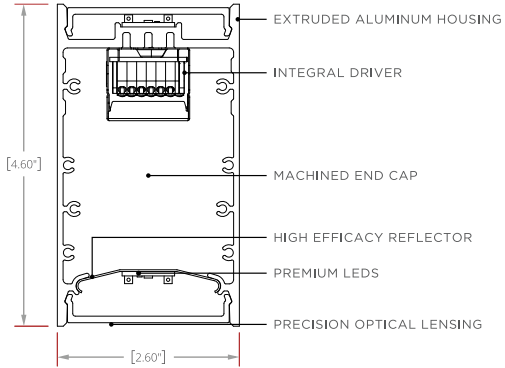
**FIXTURE ORIENTATION**  
Bidirectional (CS) for downlight and uplight applications.

# HASSIUM 2

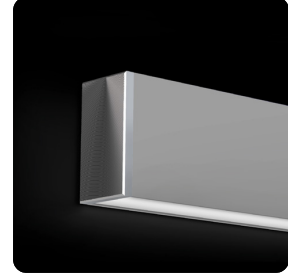
OVERVIEW • SPECIFICATIONS • ORDERING

SURFACE MOUNT (SM)

DATE	PROJECT	FIRM	TYPE
------	---------	------	------



- FEATURES:**
- WALL MOUNTING SYSTEM WITH PRE LOCATED FIXTURE HARDWARE FOR EASY SURFACE INSTALL
  - PRECISION OPTICAL LENSING OPTIONS OR HIGH TRANSMISSION FROSTED LENSING
  - 1% DIMMING DRIVERS STANDARD
  - EXTRUDED ALUMINUM HOUSING WITH NO VISIBLE FASTENERS
  - MACHINED ALUMINUM END CAPS WITH EASY ACCESS REMOVAL



NOTE: ALL ITALICIZED OPTIONS MAY INCREASE LEAD TIME. PLEASE CONSULT FACTORY WITH QUESTIONS.

FIXTURE MODEL	MOUNTING	NOMINAL LENGTH (FT)	CCT/CRI	DIRECT POWER LEVEL <sup>1</sup>	DIRECT BEAM DISTRIBUTION	INDIRECT POWER LEVEL <sup>1</sup>	INDIRECT BEAM DISTRIBUTION	DRIVER
HS2 Hassium 2	<b>SMS</b> Surface Mount Side <i>SMSD</i> Surface Mount Side Direct	2	827	VL Very low	G Graze	VL Very low	F Flood	1D EldoLED 1% 01D EldoLED 0.1%  LDE1 Lutron Ecosystem 1% LDE5 Lutron Ecosystem 5%  1DT (TW) 1DW (WD) DMX (RGBW) <sup>1</sup> DALI (INTL)
		3	830	L Low	N Narrow	L Low	B Batwing	
		4	835	S Standard	F Flood	S Standard		
		5	840	H High	F Flood	H High		
		6	850	VH Very High	W Wall Wash	VH Very High		
		7	927		A Aisle			
		8	930					
		CR <sup>1</sup> Continuous Run (Specify Length in Nominal Feet)	935					
			940					
			950					
	1. Power feed is always at the first section in a continuous run		TW2765 WD1827 RGBW <sup>1</sup>	1.2ft & 3ft - must have same power output for up and down	1.2ft & 3ft - must have same power output for up and down	1. Driver must reside in remote housing		

HOUSING FINISH	END CAPS FINISH	OPTIONS
<b>SC</b> Satin Clear Anodize <b>SW</b> Satin White Powder Coat <b>MB</b> Matte Black Powder Coat	<b>MF</b> Machined Finish <b>SW</b> Satin White <b>MB</b> Matte Black	<b>EMB7</b> <sup>1,3</sup> 7 Watt battery back-up (Approximately 600 lumens) <b>EMB12</b> <sup>1,4</sup> 12 Watt battery back-up (Approximately 1000 lumens) <b>EMW</b> <sup>1,2</sup> Emergency Circuit Wiring WSN nLight Sensor WSE WSE Enlighted Sensor WSW WSW Wavelinx Sensor WSL Lutron Vive Sensor Dual Dual Circuit  1. EMB/EMW only linked to first section of continuous run 2. EMW not available for 2ft/3ft lengths 3. EMB7 & EMB12 - 6ft lengths and up 4. EMB12 - 7ft and up 5. EMB not available for combined 8ft length & VH power

NOTE: All italicized options may increase lead time. Please consult factory with questions.

**GENERAL**  
 All fixtures are UL listed for dry and damp locations.  
**INTEGRAL DRIVER** for all options.  
 Please contact the factory with any specification questions.

# HASSIUM 2

OVERVIEW • SPECIFICATIONS • ORDERING

OPTIONS GUIDE

DATE	PROJECT	FIRM	TYPE
------	---------	------	------

## BIDIRECTIONAL

### STATIC WHITE | FLOOD DIRECT & FLOOD INDIRECT

POWER LEVELS	LIGHT DIRECT LM/4FT	LIGHT INDIRECT LM/4FT	TOTAL LIGHT LM/4FT	ENERGY WATTS/4FT	EFFICACY LPW	CCT/CRI
VL	2115	2323	4438	32	139	4000/80
L	2964	3256	6220	48	130	4000/80
S	3925	4311	8235	64	129	4000/80
H	4722	5187	9909	80	124	4000/80
VH	5696	6256	11953	96	125	4000/80

### CCT MULTIPLIERS, STATIC WH

CCT	80CRI	90CRI
2700K	0.93	0.79
3000K	0.96	0.82
3500K	0.97	0.85
4000K	1.00	0.89
5000K	1.01	0.89

### DYNAMIC WHITE | FLOOD DIRECT & FLOOD INDIRECT

POWER LEVELS	LIGHT DIRECT LM/4FT	LIGHT INDIRECT LM/4FT	TOTAL LIGHT LM/4FT	ENERGY WATTS/4FT	EFFICACY LPW	CCT
VL	1484	1630	3115	48	65	4000/90
L	2081	2285	4366	64	68	4000/90
S	2755	3025	5780	72	80	4000/90
H	3314	3640	6955	88	79	4000/90
VH	3998	4391	8389	96	87	4000/90

### CCT MULTIPLIERS, DYNAMIC WH

CCT	90CRI
2700K	1.09
3000K	1.08
3500K	1.03
4000K	1.00
5000K	0.99
6500K	0.98

### WARM DIM | FLOOD DIRECT & FLOOD INDIRECT

POWER LEVELS	LIGHT DIRECT LM/4FT	LIGHT INDIRECT LM/4FT	TOTAL LIGHT LM/4FT	ENERGY WATTS/4FT	EFFICACY LPW	CCT
VL	1558	1712	3270	48	68	2700/90
L	2184	2399	4584	64	72	2700/90
S	2892	3176	6068	72	84	2700/90
H	3480	3822	7302	88	83	2700/90
VH	4197	4610	8808	96	92	2700/90

### CCT MULTIPLIERS, WARM DIM

CCT	90CRI
1800K	0.02
2250K	0.17
2700K	1.00

### RGBW | FLOOD DIRECT & FLOOD INDIRECT

POWER LEVELS	CHANNEL (S)	LIGHT DIRECT LM/4FT	LIGHT INDIRECT LM/4FT	TOTAL LIGHT LM/4FT	ENERGY WATTS/4FT	EFFICACY LPW	CCT
S	White	382	420	802	20	40	4000
S	All	883	970	1853	40	46	N/A

# HASSIUM 2

OVERVIEW • SPECIFICATIONS • ORDERING

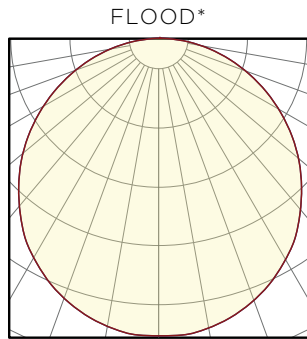
OPTIONS GUIDE

DATE	PROJECT	FIRM	TYPE
------	---------	------	------

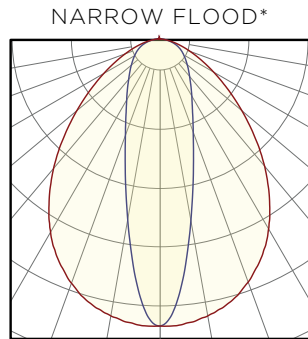
## DIRECT

DIRECT OPTICS: LUMEN OUTPUT (PER 4FT)

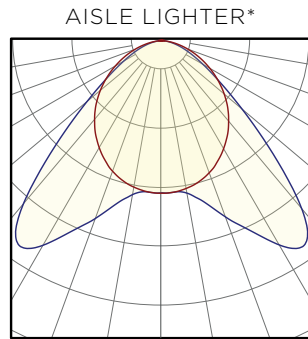
TYPE	CCT/CRI	ENERGY WATTS/4FT	FLOOD LM/4FT	FLOOD LPW	NARROW FLOOD LM/4FT	NARROW FLOOD LPW	AISLE LIGHTER LM/4FT	AISLE LIGHTER LPW	GRAZE LM/4FT	GRAZE LPW	WALL WASH LM/4FT	WALL WASH LPW
STATIC WHITE	4000K/80	S (32W)	3925	123	4475	140	4446	139	4752	149	4063	127
DYNAMIC WHITE	4000K/90	S (36W)	2755	77	3138	87	3103	86	3312	92	2824	78
WARM DIM	2700K/90	S (36W)	2892	80	3295	92	3258	91	3478	97	2965	82
RGBW	ALL CHANNELS UP	S (20W)	883	44	N/A	N/A	N/A	N/A	N/A	N/A	N/A	N/A



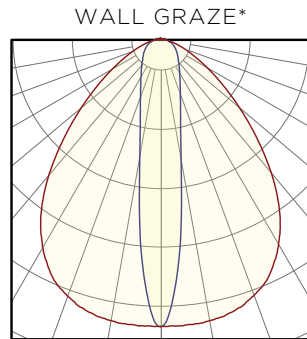
**FLOOD\***  
MAX CANDELA: 1336  
DELIVERED LUMENS: 3925  
WATTS: 32  
LPW: 123



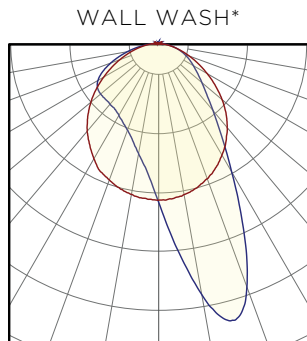
**NARROW FLOOD\***  
MAX CANDELA: 3831  
DELIVERED LUMENS: 4475  
WATTS: 32  
LPW: 140



**AISLE LIGHTER\***  
MAX CANDELA: 2061  
DELIVERED LUMENS: 4446  
WATTS: 32  
LPW: 139



**WALL GRAZE\***  
MAX CANDELA: 5197  
DELIVERED LUMENS: 4752  
WATTS: 32  
LPW: 149



**WALL WASH\***  
MAX CANDELA: 2973  
DELIVERED LUMENS: 4063  
WATTS: 32  
LPW: 127

### CCT MULTIPLIERS STATIC WHITE

CCT	2700K	3000K	3500K	4000K	5000K					
CRI	80	90	80	90	80	90	80	90	80	90
MULTIPLIER	0.93	0.79	0.96	0.82	0.97	0.85	1	0.89	1.01	0.89

### CCT MULTIPLIERS DYNAMIC WHITE

CCT	2700K	3000K	3500K	4000K	5000K	6000K
CRI	90	90	90	90	90	90
MULTIPLIER	1.09	1.08	1.03	1	0.99	0.98

### CCT MULTIPLIERS WARM DIM

CCT	1800K	2250K	2700K
CRI	90	90	90
MULTIPLIER	0.02	0.17	1

### POWER LEVEL MULTIPLIERS

POWER	VL	L	S	H	VH
STATIC WHITE	0.53	0.75	1	1.2	1.45
DYNAMIC WHITE	0.53	0.75	1	1.2	1.45
WARM DIM	0.53	0.75	1	1.2	1.45

\*Fixture Properties: 4ft Nominal Length, Standard Output, Static White 4000K/80CRI

# HASSIUM 2

OVERVIEW • SPECIFICATIONS • ORDERING

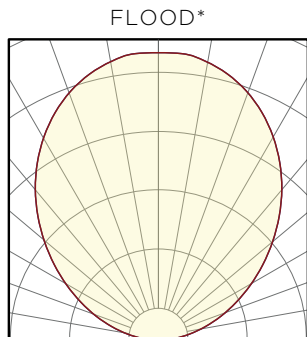
OPTIONS GUIDE

DATE	PROJECT	FIRM	TYPE
------	---------	------	------

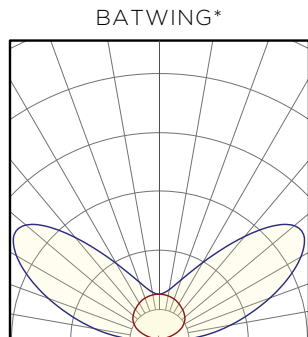
## INDIRECT

INDIRECT OPTICS: LUMEN OUTPUT (PER 4FT)

TYPE	CCT/CRI	ENERGY WATTS/4FT	FLOOD LM/4FT	FLOOD LPW	BATWING LM/4FT	BATWING LPW
STATIC WHITE	4000K/80	S (32W)	4311	135	3933	123
DYNAMIC WHITE	4000K/90	S (36W)	3025	84	2764	77
WARM DIM	2700K/90	S (36W)	3176	88	2902	81
RGBW	ALL CHANNELS UP	S (20W)	970	49	N/A	N/A



MAX CANDELA: 1677  
 DELIVERED LUMENS: 4311  
 WATTS: 32  
 LPW: 135



MAX CANDELA: 1722  
 DELIVERED LUMENS: 3933  
 WATTS: 32  
 LPW: 123

LUMINAIRE TOTAL LUMENS PER WATT

$$\frac{(\text{DIRECT LUMENS/FT} + \text{INDIRECT LUMENS/FT}) \times \text{FIXTURE TOTAL LINEAR FT}}{(\text{DIRECT WATTS/FT} + \text{INDIRECT WATTS/FT}) \times \text{FIXTURE TOTAL LINEAR FT}} = \text{TOTAL LUMINAIRE LUMENS PER WATT}$$

\*Fixture Properties: 4ft Nominal Length, Standard Output, Static White 4000K/80CRI

### CCT MULTIPLIERS STATIC WHITE

CCT	2700K	3000K	3500K	4000K	5000K					
CRI	80	90	80	90	80	90	80	90	80	90
MULTIPLIER	0.93	0.79	0.96	0.82	0.97	0.85	1	0.89	1.01	0.89

### CCT MULTIPLIERS DYNAMIC WHITE

CCT	2700K	3000K	3500K	4000K	5000K	6000K
CRI	90	90	90	90	90	90
MULTIPLIER	1.09	1.08	1.03	1	0.99	0.98

### CCT MULTIPLIERS WARM DIM

CCT	1800K	2250K	2700K
CRI	90	90	90
MULTIPLIER	0.02	0.17	1

### POWER LEVEL MULTIPLIERS

POWER	VL	L	S	H	VH
STATIC WHITE	0.53	0.75	1	1.2	1.45
DYNAMIC WHITE	0.53	0.75	1	1.2	1.45
WARM DIM	0.53	0.75	1	1.2	1.45

# HASSIUM 2

OVERVIEW • SPECIFICATIONS • ORDERING

OPTIONS GUIDE

DATE	PROJECT	FIRM	TYPE
------	---------	------	------

## MOUNTING



### CABLE SUSPENDED (CS)

This fixture can be a cable suspended down-light and up-light: Bi-Directional (CS), or can be special ordered as a cable suspended static down-light only: Direct Only (CSD). Aircraft cables come in 4ft and 8ft lengths and are field adjustable.



### SURFACE MOUNT SIDE (SMS)

Surface Mount Side (SMS). The fixture is mounted on the wall using mounting brackets, giving a static bi-directional up-light and down-light.

## CONTINUOUS RUN (CR)

Our single seam continuous run option offers smooth transitions from one section to the next. Our joiner bracket and alignment pin system offers easy to use, confident, single seam connections with a tight fit.



CONTINUOUS RUN  
SINGLE SEAM



FIXTURE WITH SINGLE SEAM CONTINUOUS RUN

## CANOPIES

SATIN WHITE (SW)

MATTE BLACK

MACHINE FINISH (MF)

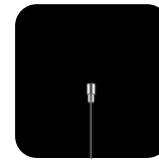


44



4" diameter power feed and 4" diameter non-power feed canopy.

40




4" diameter machined power feed canopy and no canopy on the non-power feed side. Minimal aesthetic. Requires a 1/4-20 stud securely attached to the ceiling.

41



4" diameter machined power feed and 1-1/4" diameter machined non-power feed canopy. Offers minimal ceiling treatment while maintaining the ability to cover mistakes. Requires a 1/4-20 stud securely fastened to the ceiling.

	Project 21-12877-3 Date 6/25/2021 RGB/W   Saturated Color	Catalog Number HS2 CS 8 RGBW S F S F DMX SC SW 44 SW W 4	Type
	Submitted By 16500, INC	Notes	

# HASSIUM 2

OVERVIEW • SPECIFICATIONS • ORDERING

OPTIONS GUIDE

DATE	PROJECT	FIRM	TYPE
------	---------	------	------

## COLOR AND FINISH

Standard luminaire housing finishes are Satin Clear anodized, Matte Black powder coat, and Satin White powder coat. Standard hardware (end caps, knuckles, cover plates, etc.) finishes are Machined Finish, Matte Black powder coat, & Satin White powder coat. Custom anodizing and powder coated finishes are available as well. If you have a particular color/finish treatment in mind, please contact the factory and we will do our best to accommodate your project needs.

### LUMINAIRE



SATIN CLEAR ANODIZING

### STANDARD



MATTE BLACK



SATIN WHITE

### CUSTOM



BRONZE



COLOR ANODIZE



SPECULAR



RAL COLORS

### HARDWARE



MACHINED COMPONENTS



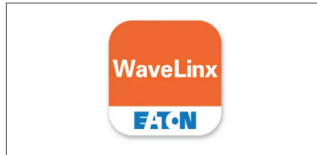
MATTE BLACK



SATIN WHITE

## SENSORS

Optional fixture integrated sensors and controls offer wireless control system compatibility directly from the factory. Lumium luminaires are now available with integrated control gear from 4 major partners.



NOTE: Information on this Spec Sheet is subject to change, please visit [www.ecosenselighting.com](http://www.ecosenselighting.com) for the most updated information.

**ECOSENSE**

ECOSENSE LIGHTING INC.  
 837 NORTH SPRING STREET  
 SUITE 103  
 LOS ANGELES, CA 90012

P • 310.496.6255  
 F • 310.496.6256  
 T • 855.632.6736  
 855.6.ECOSEN

SPECIFICATIONS SUBJECT TO CHANGE WITHOUT NOTICE. VISIT [ECOSENSELIGHTING.COM](http://ECOSENSELIGHTING.COM) FOR THE MOST CURRENT SPECIFICATIONS. FOR A LIST OF PATENTS VISIT [ECOSENSELIGHTING.COM/IP-PORTFOLIO/](http://ECOSENSELIGHTING.COM/IP-PORTFOLIO/)  
 ©2019 ECOSENSE LIGHTING INC. ALL RIGHTS RESERVED. ECOSENSE, THE ECOSENSE LOGO, TROV, TROV AND ECOSPEC ARE REGISTERED TRADEMARKS OF ECOSENSE LIGHTING INC.  
 RISE™, SLIM COVE™, FREEDOM TO CREATE™, MACRO™, FLIP-TO-FLAT™ ARE TRADEMARKS OF ECOSENSE LIGHTING INC.