



LQ620/LQ640/LQ670 SERIES

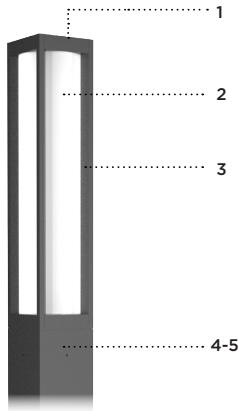
Lumiquad - LED

6" COLUMN

TYPE: _____ QUANTITY: _____ PROJECT: _____

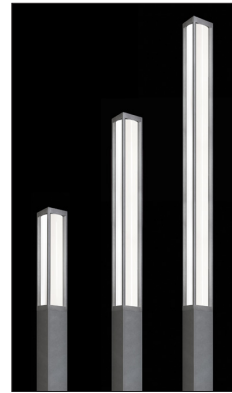
CATALOG NUMBER:

FIXTURE SUFFIX COLUMN VOLTAGE FINISH OPTION OPTION OPTION



- 1- Heavy cast aluminum top cover.
- 2- Ø 6" (152mm) High impact white translucent acrylic diffuser UV stabilized. Available acrylic heights include 25" (696mm), 49" (1236mm) and 73" (1847mm).
- 3- 4x extruded aluminum struts.
- 4- Cast aluminum driver housing.
- 5- 6" (152mm) x 6" (152mm) extruded aluminum square body.

LQ620 / LQ640 / LQ670



MATERIALS

Lumiquad column is made of 6061-T6 extruded aluminum alloy. All other parts are made of corrosion resistant 356 aluminum alloy with a copper (CU) content of less than 0.1%. LED is contained in a white UV stabilized high impact acrylic sealed cylinder. The assembly is designed to provide a uniform column illumination.

ELECTRICAL

DRIVER Standard driver is 0-10V dimming-ready (dims to 10%) with: 120-277 multi-volt compatibility (50-60Hz), operating temperatures of -40°C/-40°F to 55°C/131°F, output over voltage protection, output over current protection, output short circuit protection with auto-recovery.

LED 2700K/3000K/3500K/4000K CCT with 80 CRI. Optional RGBW.

LIFE

50,000hrs $L_{80}B_{50}$ (based on IESNA TM-21 Test Method and LM-80 data).

FINISH

Five-stage preparation process includes preheating of cast aluminum parts for air extraction. Polyester powder coating is applied through an electrostatic process, and oven cured for long term finish.

CERTIFICATION

Tested to UL1598 and CSA 22.2 #250. ETL listed wet location. Photometric testing performed by an independent laboratory in accordance with IES LM-79-08 standards at 25°C. Lumen depreciation in accordance with IESNA LM80 standards. Rated IP65.

MOUNTING

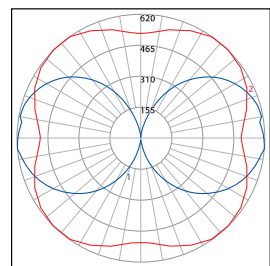
Lumiquad column is designed for ease of access and installation. For overall heights of 96" (8FT) to 168" (14FT): The cast aluminum base plate is secured with a set of (4) 1/2"-13 x 18" lg. galvanized anchor bolts. For overall heights above 168" (14FT): The cast aluminum base plate is secured with a set of (4) 3/4"-10 x 18" lg. galvanized anchor bolts. Accessibility is done through a flush mount 2" x 4" (100mm x 178mm) hand hole cover plate.



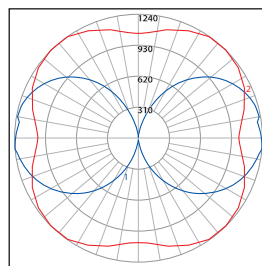
Apr. 2021 Rev 0

LQ620/LQ640/LQ670 SERIES Lumiquad - LED

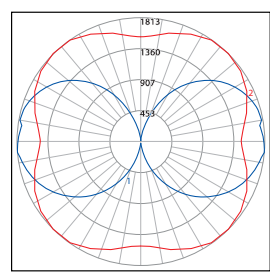
TYPICAL PHOTOMETRY SUMMARY



Descriptive Information
LQ620-L4L52
Total Lms: 5381 Lumens
Total Input Watts: 51,4 W
Efficacy: 104,6 Lumens/Watt
BUG: B2-U5-G3
CCT/CRI: 4000K/80
Maximum Candela: 618 @ 47.5°H/85°V



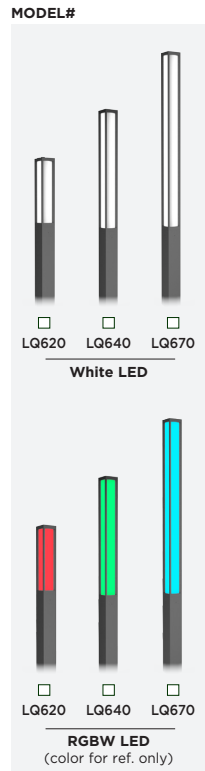
Descriptive Information
LQ640-L8L104
Total Lms: 10762 Lumens
Total Input Watts: 102,9 W
Efficacy: 104,6 Lumens/Watt
BUG: B3-U5-G4
CCT/CRI: 4000K/80
Maximum Candela: 1235 @ 47.5°H/85°V



Descriptive Information
LQ670-L12L156
Total Lms: 15737 Lumens
Total Input Watts: 150 W
Efficacy: 104,9 Lumens/Watt
BUG: B3-U5-G5
CCT/CRI: 4000K/80
Maximum Candela: 1806 @ 47.5°H/85°V

Please visit our web site www.luminis.com for complete I.E.S. formatted download data.

LUMINAIRE SELECTION



LED LIGHT SELECTION (4000K/80CRI)				
SUFFIX	DELIVERED LUMENS	INPUT WATTS	LM / FT	
LQ620				
<input type="checkbox"/> L4L12	1311	11	656	
<input type="checkbox"/> L4L18	1990	17	995	
<input type="checkbox"/> L4L28	2849	25	1425	
<input type="checkbox"/> L4L40	4251	39	2126	
<input type="checkbox"/> L4L52	5381	52	2691	
LQ640				
<input type="checkbox"/> L8L24	2623	22	656	
<input type="checkbox"/> L8L36	3708	32	927	
<input type="checkbox"/> L8L56	5698	50	1425	
<input type="checkbox"/> L8L80	8320	76	2080	
<input type="checkbox"/> L8L104	10762	103	2691	
LQ670				
<input type="checkbox"/> L12L36	3708	32	618	
<input type="checkbox"/> L12L54	5472	47	912	
<input type="checkbox"/> L12L84	8592	76	1432	
<input type="checkbox"/> L12L120	12616	116	2103	
<input type="checkbox"/> L12L156	15737	150	2623	

RGBW SELECTION (CONTROLLED WITH DMX/RDM)				
SUFFIX	DELIVERED LUMENS	INPUT WATTS	LM / FT	
LQ620				
<input type="checkbox"/> L4RGBW	2046	35	1023	
LQ640				
<input type="checkbox"/> L8RGBW	4158	71	1039	
LQ670				
<input type="checkbox"/> L12RGBW	6272	108	1045	

Note: Values are for total delivered lumens. For individual maximum output values, refer to page 5.
White CCT is 4000K & 80CRI.

OAH COLUMN SELECTION				
POLE FOR	LQ620	LQ640	LQ670	
<input type="checkbox"/> LQP669	96"	120"	144"	
<input type="checkbox"/> LQP693	120"	144"	168"	
<input type="checkbox"/> LQP6117	144"	168"	192"	
<input type="checkbox"/> LQP6141	168"	192"	216"	
<input type="checkbox"/> LQP6165	192"	216"	240"	

VOLTAGE ¹		FINISH	
<input type="checkbox"/> 120V	<input type="checkbox"/> WHT Snow white	<input type="checkbox"/> BKT Jet black	<input type="checkbox"/> BZT Bronze
<input type="checkbox"/> 277V	<input type="checkbox"/> MST Matte silver	<input type="checkbox"/> GRT Titanium gray	<input type="checkbox"/> DGT Gun metal
Optional	<input type="checkbox"/> 347V	<input type="checkbox"/> CHT Champagne	<input type="checkbox"/> 927 Steel gray
<input type="checkbox"/> 480V	<input type="checkbox"/> BGT English cream		

OPTIONAL COLORS
 CS Custom color
 RAL RAL# color
(Refer to color chart)



LQ620/LQ640/LQ670 SERIES Lumiquad - LED

OPTIONS

ELECTRICAL

- FS** Fuse
- SP** Surge protector 10KV
- PH** Photocell

ACCESSORIES

- GFI** Ground fault circuit interruption flush receptacle²
- CGF** Ground fault circuit interruption with clear in-use cover²
- MSD** Motion sensor device (high/low 25%)
255° coverage
Installed at 180° from hand hole
120/277VAC, 50/60Hz (or 230VAC, 50Hz)
- BLC1** Blockout shield (one side)
- BLC2** Blockout shield (two sides, installed at 90°)
- BLC3** Blockout shield (three sides)
- DECO1** Decorative shroud
- DECO2** Decorative shroud

LIGHT

Alternate CCT °K LED (LCF: Lumen conversion factor)

- K27** 2700K CCT 80 CRI (LCF: 0.91)
- K3** 3000K CCT 80 CRI (LCF: 0.94) NOTE: Other CCT & higher CRI available, please consult factory.
- K35** 3500K CCT 80 CRI (LCF: 0.98)
- K4** 4000K CCT 80 CRI (LCF: 1.00)

CONTROL

- NLTAIR2** nLight AIR Control gen2, Pole mounted black sensor.^{3,4}

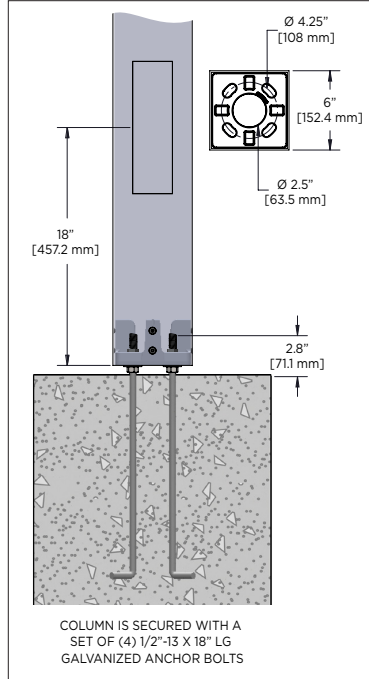
NOTES

- 1-** If no voltage is specified, luminaires are factory prewired by default for 120V. For other voltages, please specify with catalog number, or consult factory.
- 2-** GFI and CGF options are installed 30" above grade unless otherwise specified. CGF cover protrudes by 3.62" (92mm). 120V required for GFI or CGF.
- 3-** Not compatible with PH, MSD.
- 4-** White sensor available upon request.
- 5-** OAH increases by 1" for RGBW models. See page 5 for details.
- 6-** Not compatible with 347V, 480V, PH, MSD, NLTAIR2.

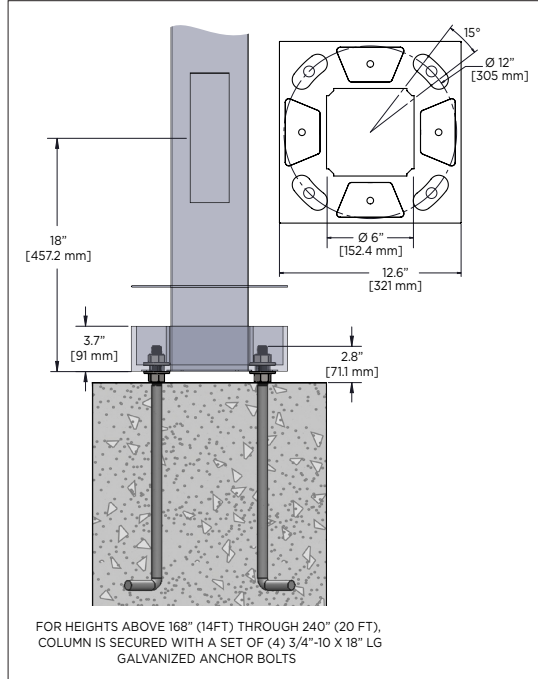
LQ620/LQ640/LQ670 SERIES Lumiquad - LED

MOUNTING INFORMATION

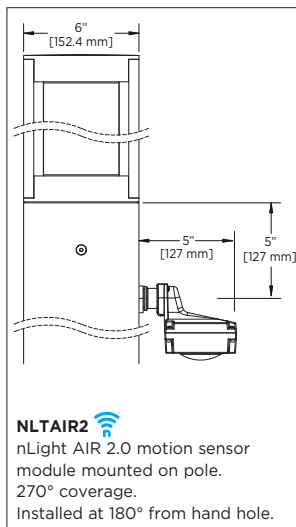
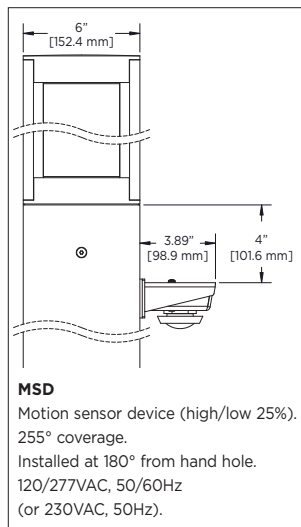
OVERALL HEIGHTS FROM 96" (8FT) TO 168" (14FT)



OVERALL HEIGHTS ABOVE 168" (14FT)



ACCESSORIES



LQ620/LQ640/LQ670 SERIES Lumiquad - LED

RGBW DETAILS

RGBW DMX

Total delivered lumens⁶

RGBW - DMX / RDM 4 channels

Users can generate any color by mixing the intensity of four independent red, green, blue and white channels.

Maximum output values

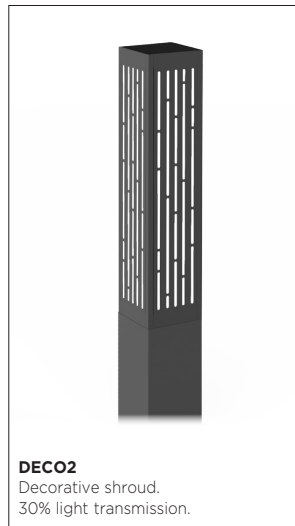
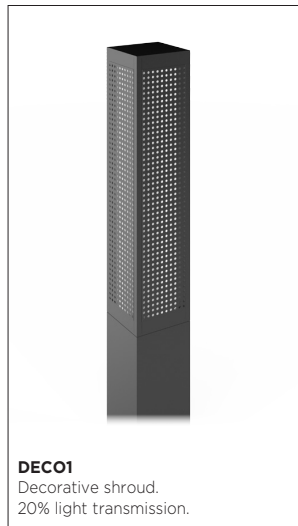
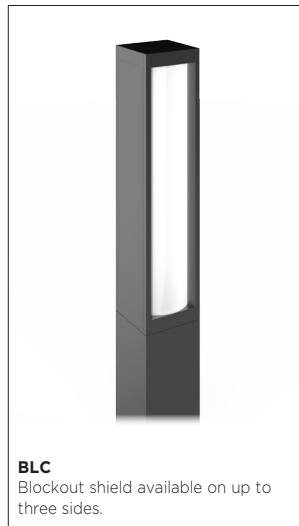
	WHITE 4000K			TOT RGB			TOT		
	W	lm	lm/ft	W	lm	lm/ft	W	lm	lm/ft
LQ620	9	1041	521	26	1005	502	35	2046	1023
LQ640	19	2123	531	52	2035	508	71	4158	1039
LQ670	28	3205	534	80	3067	511	108	6272	1045

The fixtures will be delivered with the default address 1.

COLOR	R	G	B	W
CHANNEL	1	2	3	4

NOTE: Default factory settings.
Controller supplied by others.

ACCESSORIES



RGBW DIMENSIONS

