



# LQ620/LQ640/LQ670 SERIES

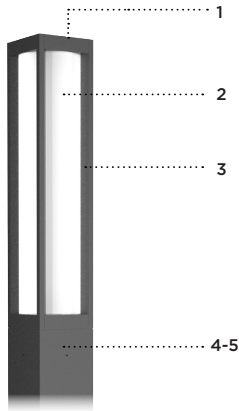
## Lumiquad - LED

6" COLUMN

TYPE: \_\_\_\_\_ QUANTITY: \_\_\_\_\_ PROJECT: \_\_\_\_\_

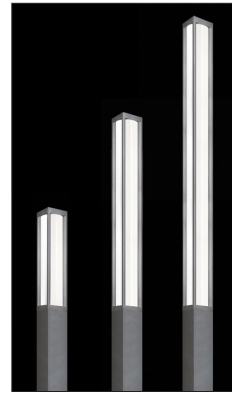
CATALOG NUMBER:

FIXTURE      SUFFIX      COLUMN      VOLTAGE      FINISH      OPTION      OPTION      OPTION



- 1- Heavy cast aluminum top cover.
- 2- Ø 6" (152mm) High impact white translucent acrylic diffuser UV stabilized. Available acrylic heights include 25" (696mm), 49" (1236mm) and 73" (1847mm).
- 3- 4x extruded aluminum struts.
- 4- Cast aluminum driver housing.
- 5- 6" (152mm) x 6" (152mm) extruded aluminum square body.

LQ620 / LQ640 / LQ670



### MATERIALS

**Lumiquad** column is made of 6061-T6 extruded aluminum alloy. All other parts are made of corrosion resistant 356 aluminum alloy with a copper (CU) content of less than 0.1%. LED is contained in a white UV stabilized high impact acrylic sealed cylinder. The assembly is designed to provide a uniform column illumination.

### ELECTRICAL

**DRIVER** Standard driver is 0-10V dimming-ready (dims to 10%) with: 120-277 multi-volt compatibility (50-60Hz), operating temperatures of -40°C/-40°F to 55°C/131°F, output over voltage protection, output over current protection, output short circuit protection with auto-recovery.

**LED** 2700K/3000K/3500K/4000K CCT with 80 CRI. Optional RGBW.

### LIFE

50,000hrs  $L_{80}B_{50}$  (based on IESNA TM-21 Test Method and LM-80 data).

### FINISH

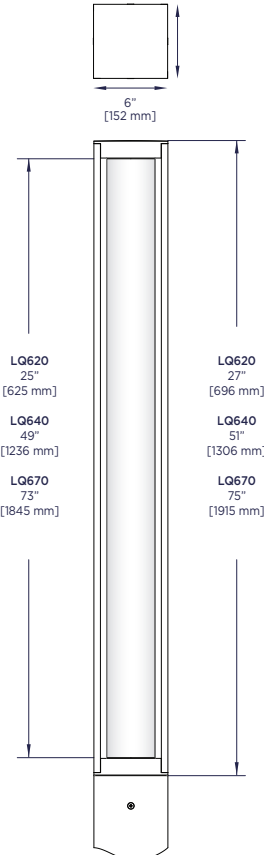
Five-stage preparation process includes preheating of cast aluminum parts for air extraction. Polyester powder coating is applied through an electrostatic process, and oven cured for long term finish.

### CERTIFICATION

Tested to UL1598 and CSA 22.2 #250. ETL listed wet location. Photometric testing performed by an independent laboratory in accordance with IES LM-79-08 standards at 25°C. Lumen depreciation in accordance with IESNA LM80 standards. Rated IP65.

### MOUNTING

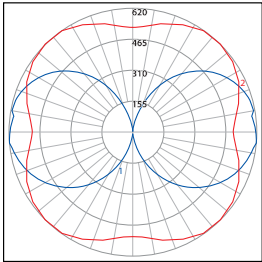
Lumiquad column is designed for ease of access and installation. For overall heights of 96" (8FT) to 168" (14FT): The cast aluminum base plate is secured with a set of (4) 1/2"-13 x 18" lg. galvanized anchor bolts. For overall heights above 168" (14FT): The cast aluminum base plate is secured with a set of (4) 3/4"-10 x 18" lg. galvanized anchor bolts. Accessibility is done through a flush mount 2" x 4" (100mm x 178mm) hand hole cover plate.



Apr. 2021 Rev 0

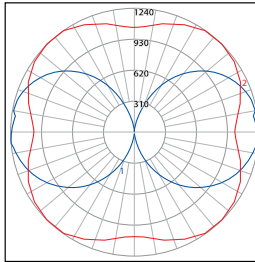
# LQ620/LQ640/LQ670 SERIES Lumiquad - LED

## TYPICAL PHOTOMETRY SUMMARY



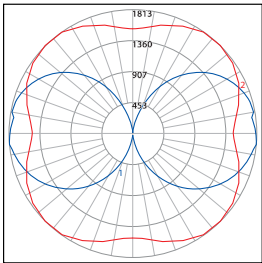
### Descriptive Information

LQ620-L4L52  
Total Lms: 5381 Lumens  
Total Input Watts: 51,4 W  
Efficacy: 104,6 Lumens/Watt  
BUG: B2-U5-G3  
CCT/CRI: 4000K/80  
Maximum Candela: 618 @ 47.5°H/85°V



### Descriptive Information

LQ640-L8L104  
Total Lms: 10762 Lumens  
Total Input Watts: 102,9 W  
Efficacy: 104,6 Lumens/Watt  
BUG: B3-U5-G4  
CCT/CRI: 4000K/80  
Maximum Candela: 1235 @ 47.5°H/85°V



### Descriptive Information

LQ670-L12L156  
Total Lms: 15737 Lumens  
Total Input Watts: 150 W  
Efficacy: 104,9 Lumens/Watt  
BUG: B3-U5-G5  
CCT/CRI: 4000K/80  
Maximum Candela: 1806 @ 47.5°H/85°V

Please visit our web site [www.luminis.com](http://www.luminis.com) for complete I.E.S. formatted download data.

## LUMINAIRE SELECTION

MODEL#	LED LIGHT SELECTION (4000K/80CRI)	OAH COLUMN SELECTION	VOLTAGE <sup>1</sup>	FINISH																																												
<p>White LED</p>	<table border="1"> <thead> <tr> <th>SUFFIX</th> <th>DELIVERED LUMENS</th> <th>INPUT WATTS</th> <th>LM / FT</th> </tr> </thead> <tbody> <tr> <td><b>LQ620</b></td> <td><input type="checkbox"/> L4L12 1311</td> <td>11</td> <td>656</td> </tr> <tr> <td><input type="checkbox"/> L4L18 1990</td> <td>17</td> <td>995</td> </tr> <tr> <td><input type="checkbox"/> L4L28 2849</td> <td>25</td> <td>1425</td> </tr> <tr> <td><input type="checkbox"/> L4L40 4251</td> <td>39</td> <td>2126</td> </tr> <tr> <td><input type="checkbox"/> L4L52 5381</td> <td>52</td> <td>2691</td> </tr> </tbody> </table>	SUFFIX	DELIVERED LUMENS	INPUT WATTS	LM / FT	<b>LQ620</b>	<input type="checkbox"/> L4L12 1311	11	656	<input type="checkbox"/> L4L18 1990	17	995	<input type="checkbox"/> L4L28 2849	25	1425	<input type="checkbox"/> L4L40 4251	39	2126	<input type="checkbox"/> L4L52 5381	52	2691	<table border="1"> <thead> <tr> <th>POLE FOR</th> <th>LQ620</th> <th>LQ640</th> <th>LQ670</th> </tr> </thead> <tbody> <tr> <td><input type="checkbox"/> LQP669</td> <td>96"</td> <td>120"</td> <td>144"</td> </tr> <tr> <td><input type="checkbox"/> LQP693</td> <td>120"</td> <td>144"</td> <td>168"</td> </tr> <tr> <td><input type="checkbox"/> LQP6117</td> <td>144"</td> <td>168"</td> <td>192"</td> </tr> <tr> <td><input type="checkbox"/> LQP6141</td> <td>168"</td> <td>192"</td> <td>216"</td> </tr> <tr> <td><input type="checkbox"/> LQP6165</td> <td>192"</td> <td>216"</td> <td>240"</td> </tr> </tbody> </table>	POLE FOR	LQ620	LQ640	LQ670	<input type="checkbox"/> LQP669	96"	120"	144"	<input type="checkbox"/> LQP693	120"	144"	168"	<input type="checkbox"/> LQP6117	144"	168"	192"	<input type="checkbox"/> LQP6141	168"	192"	216"	<input type="checkbox"/> LQP6165	192"	216"	240"	<input type="checkbox"/> 120V <input type="checkbox"/> 277V  Optional <input type="checkbox"/> 347V <input type="checkbox"/> 480V	<b>STANDARD COLORS</b> <input type="checkbox"/> WHT Snow white <input type="checkbox"/> BKT Jet black <input type="checkbox"/> BZT Bronze <input type="checkbox"/> MST Matte silver <input type="checkbox"/> GRT Titanium gray <input type="checkbox"/> DGT Gun metal <input type="checkbox"/> CHT Champagne <input type="checkbox"/> SGT Steel gray <input type="checkbox"/> BGT English cream  <b>OPTIONAL COLORS</b> <input type="checkbox"/> CS Custom color <input type="checkbox"/> RAL RAL# color (Refer to color chart)
	SUFFIX	DELIVERED LUMENS	INPUT WATTS	LM / FT																																												
	<b>LQ620</b>	<input type="checkbox"/> L4L12 1311	11	656																																												
	<input type="checkbox"/> L4L18 1990	17	995																																													
	<input type="checkbox"/> L4L28 2849	25	1425																																													
	<input type="checkbox"/> L4L40 4251	39	2126																																													
	<input type="checkbox"/> L4L52 5381	52	2691																																													
	POLE FOR	LQ620	LQ640	LQ670																																												
	<input type="checkbox"/> LQP669	96"	120"	144"																																												
	<input type="checkbox"/> LQP693	120"	144"	168"																																												
	<input type="checkbox"/> LQP6117	144"	168"	192"																																												
	<input type="checkbox"/> LQP6141	168"	192"	216"																																												
<input type="checkbox"/> LQP6165	192"	216"	240"																																													
<p>RGBW LED (color for ref. only)</p>	<table border="1"> <tbody> <tr> <td><b>LQ640</b></td> <td><input type="checkbox"/> L8L24 2623</td> <td>22</td> <td>656</td> </tr> <tr> <td><input type="checkbox"/> L8L36 3708</td> <td>32</td> <td>927</td> </tr> <tr> <td><input type="checkbox"/> L8L56 5698</td> <td>50</td> <td>1425</td> </tr> <tr> <td><input type="checkbox"/> L8L80 8320</td> <td>76</td> <td>2080</td> </tr> <tr> <td><input type="checkbox"/> L8L104 10762</td> <td>103</td> <td>2691</td> </tr> </tbody> </table>	<b>LQ640</b>	<input type="checkbox"/> L8L24 2623	22	656	<input type="checkbox"/> L8L36 3708	32	927	<input type="checkbox"/> L8L56 5698	50	1425	<input type="checkbox"/> L8L80 8320	76	2080	<input type="checkbox"/> L8L104 10762	103	2691																															
	<b>LQ640</b>	<input type="checkbox"/> L8L24 2623	22	656																																												
	<input type="checkbox"/> L8L36 3708	32	927																																													
	<input type="checkbox"/> L8L56 5698	50	1425																																													
	<input type="checkbox"/> L8L80 8320	76	2080																																													
	<input type="checkbox"/> L8L104 10762	103	2691																																													
	<table border="1"> <thead> <tr> <th>SUFFIX</th> <th>DELIVERED LUMENS</th> <th>INPUT WATTS</th> <th>LM / FT</th> </tr> </thead> <tbody> <tr> <td><b>LQ670</b></td> <td><input type="checkbox"/> L12L36 3708</td> <td>32</td> <td>618</td> </tr> <tr> <td><input type="checkbox"/> L12L54 5472</td> <td>47</td> <td>912</td> </tr> <tr> <td><input type="checkbox"/> L12L84 8592</td> <td>76</td> <td>1432</td> </tr> <tr> <td><input type="checkbox"/> L12L120 12616</td> <td>116</td> <td>2103</td> </tr> <tr> <td><input type="checkbox"/> L12L156 15737</td> <td>150</td> <td>2623</td> </tr> </tbody> </table>	SUFFIX	DELIVERED LUMENS	INPUT WATTS	LM / FT	<b>LQ670</b>	<input type="checkbox"/> L12L36 3708	32	618	<input type="checkbox"/> L12L54 5472	47	912	<input type="checkbox"/> L12L84 8592	76	1432	<input type="checkbox"/> L12L120 12616	116				2103	<input type="checkbox"/> L12L156 15737	150	2623																								
		SUFFIX	DELIVERED LUMENS	INPUT WATTS	LM / FT																																											
		<b>LQ670</b>	<input type="checkbox"/> L12L36 3708	32	618																																											
		<input type="checkbox"/> L12L54 5472	47	912																																												
		<input type="checkbox"/> L12L84 8592	76	1432																																												
		<input type="checkbox"/> L12L120 12616	116	2103																																												
<input type="checkbox"/> L12L156 15737		150	2623																																													
<b>RGBW SELECTION (CONTROLLED WITH DMX/RDM)<sup>6</sup></b>																																																
<table border="1"> <tbody> <tr> <td><b>LQ620</b></td> <td><input type="checkbox"/> L4RGBW 2046</td> <td>35</td> <td>1023</td> </tr> <tr> <td><b>LQ640</b></td> <td><input type="checkbox"/> L8RGBW 4158</td> <td>71</td> <td>1039</td> </tr> <tr> <td><b>LQ670</b></td> <td><input type="checkbox"/> L12RGBW 6272</td> <td>108</td> <td>1045</td> </tr> </tbody> </table>		<b>LQ620</b>	<input type="checkbox"/> L4RGBW 2046	35	1023	<b>LQ640</b>	<input type="checkbox"/> L8RGBW 4158	71	1039	<b>LQ670</b>	<input type="checkbox"/> L12RGBW 6272	108	1045																																			
<b>LQ620</b>		<input type="checkbox"/> L4RGBW 2046	35	1023																																												
<b>LQ640</b>		<input type="checkbox"/> L8RGBW 4158	71	1039																																												
<b>LQ670</b>		<input type="checkbox"/> L12RGBW 6272	108	1045																																												
<b>Note:</b> Values are for total delivered lumens. For individual maximum output values, refer to page 5. White CCT is 4000K & 80CRI.																																																

## LQ620/LQ640/LQ670 SERIES Lumiquad - LED

### OPTIONS

#### ELECTRICAL

- FS** Fuse
- SP** Surge protector 10KV
- PH** Photocell

#### ACCESSORIES

- GFI** Ground fault circuit interruption flush receptacle<sup>2</sup>
- CGF** Ground fault circuit interruption with clear in-use cover<sup>2</sup>
- MSD** Motion sensor device (high/low 25%)  
255° coverage  
Installed at 180° from hand hole  
120/277VAC, 50/60Hz (or 230VAC, 50Hz)
- BLC1** Blockout shield (one side)
- BLC2** Blockout shield (two sides, installed at 90°)
- BLC3** Blockout shield (three sides)
- DECO1** Decorative shroud
- DECO2** Decorative shroud

#### LIGHT

Alternate CCT °K LED (LCF: Lumen conversion factor)

- K27** 2700K CCT 80 CRI (LCF: 0.91)
  - K3** 3000K CCT 80 CRI (LCF: 0.94)
  - K35** 3500K CCT 80 CRI (LCF: 0.98)
  - K4** 4000K CCT 80 CRI (LCF: 1.00)
- NOTE: Other CCT & higher CRI available, please consult factory.

#### CONTROL

- NLTAIR2** nLight AIR Control gen2, Pole mounted black sensor.<sup>3,4</sup>

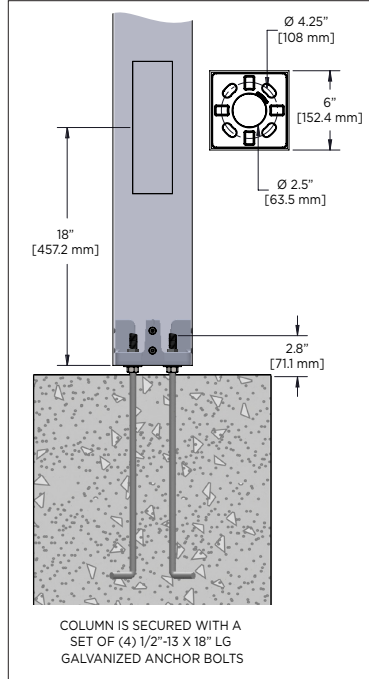
#### NOTES

- 1-** If no voltage is specified, luminaires are factory prewired by default for 120V. For other voltages, please specify with catalog number, or consult factory.
- 2-** GFI and CGF options are installed 30" above grade unless otherwise specified. CGF cover protrudes by 3.62" (92mm). 120V required for GFI or CGF.
- 3-** Not compatible with PH, MSD.
- 4-** White sensor available upon request.
- 5-** OAH increases by 1" for RGBW models. See page 5 for details.
- 6-** Not compatible with 347V, 480V, PH, MSD, NLTAIR2.

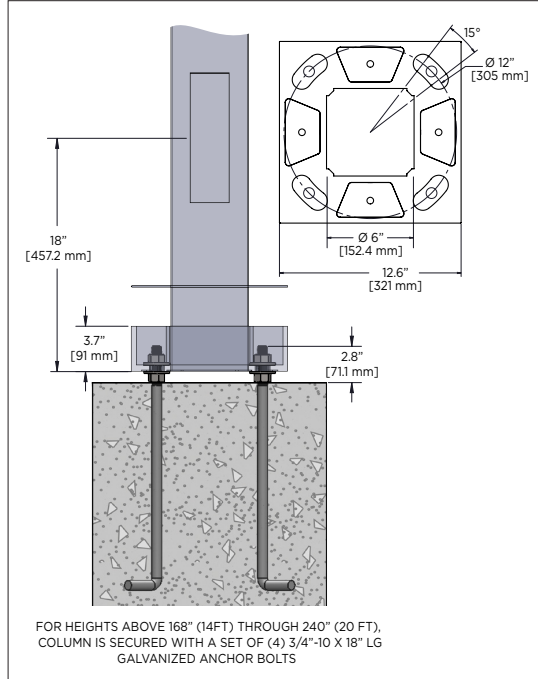
## LQ620/LQ640/LQ670 SERIES Lumiquad - LED

### MOUNTING INFORMATION

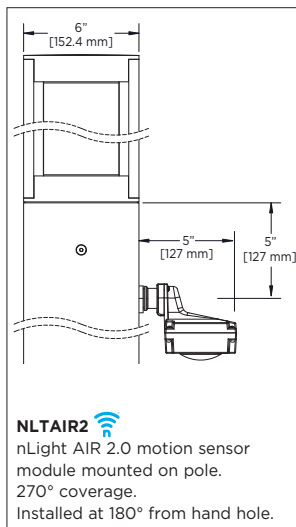
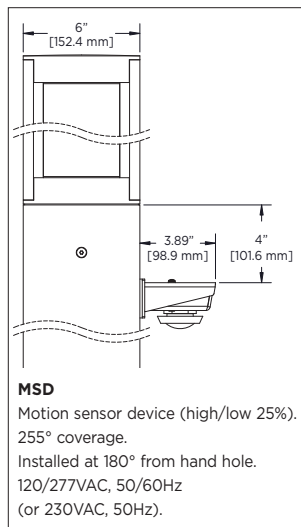
OVERALL HEIGHTS FROM 96" (8FT) TO 168" (14FT)



OVERALL HEIGHTS ABOVE 168" (14FT)



### ACCESSORIES



## LQ620/LQ640/LQ670 SERIES Lumiquad - LED

### RGBW DETAILS

#### RGBW DMX

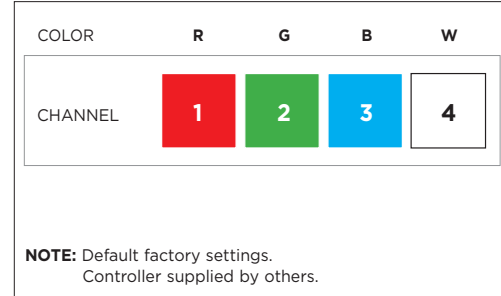
Total delivered lumens<sup>6</sup>

#### RGBW - DMX / RDM 4 channels

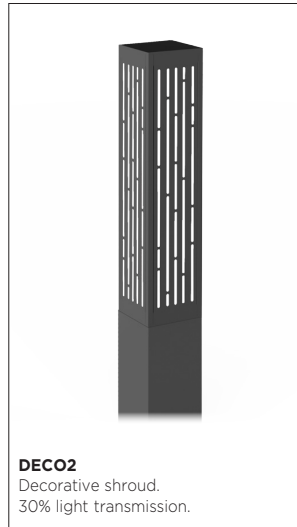
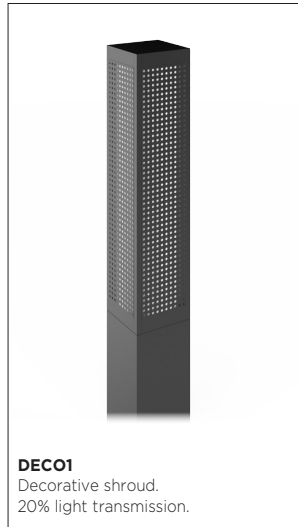
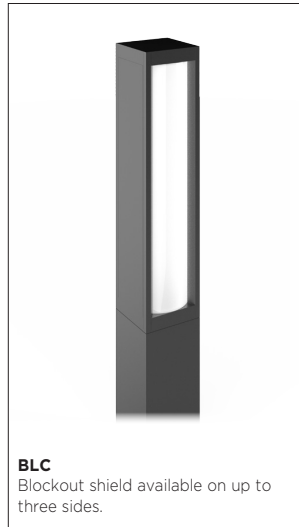
Users can generate any color by mixing the intensity of four independent red, green, blue and white channels.

	Maximum output values								
	WHITE 4000K			TOT RGB			TOT		
	W	lm	lm/ft	W	lm	lm/ft	W	lm	lm/ft
LQ620	9	1041	521	26	1005	502	35	2046	1023
LQ640	19	2123	531	52	2035	508	71	4158	1039
LQ670	28	3205	534	80	3067	511	108	6272	1045

The fixtures will be delivered with the default address 1.



### ACCESSORIES



### RGBW DIMENSIONS

