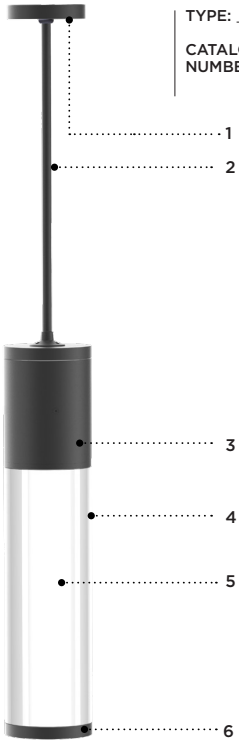


LUMINIS®

CL822/CL842/CL872 SERIES LumiSTIK - LED 8" PENDANT



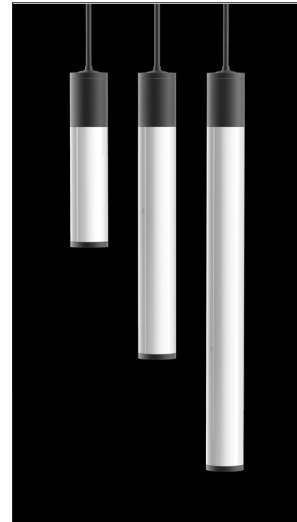
TYPE: _____ QUANTITY: _____ PROJECT: _____

CATALOG NUMBER:

FIXTURE LED LIGHT SELECTION VOLTAGE FINISH OPTION OPTION OPTION OPTION

- 1- Heavy duty 30° hang straight swivel, with Ø 7" (178mm) canopy.
- 2- Ø 7/8" x 36" (22mm x 914mm) suspension stem with aircraft safety cable. Other lengths available on request (specify STM with desired length).
- 3- Ø 8" (203mm) extruded aluminum housing and driver enclosure.
- 4- Ø 8" (203mm) High impact white translucent acrylic diffuser UV stabilized.
- 5- LED array.
- 6- Heavy cast aluminum cover with embedded heat sink.

CL822/CL842/CL872



MATERIALS

LumiSTIK pendant is made of corrosion resistant 356 aluminum alloy with a copper (CU) content of less than 0.1%. LED boards are enclosed in a white UV stabilized high impact acrylic sealed cylinder. The assembly is designed to provide a uniform column illumination. **LumiSTIK** pendant is available with three standard acrylic lengths. Other lengths are available on request.

ELECTRICAL

DRIVER Standard driver is 0-10V dimming-ready (dims to 10%) with: 120-277 multi-volt compatibility (50-60Hz), operating temperatures of -40°C to +55°C/-40°F to +131°F, output over voltage protection, output over current protection, output short circuit protection with auto-recovery. Driver for RGBW is DMX512 / RDM compatible.

LED 2700K/3000K/3500K/4000K CCT with 80 CRI. Optional RGBW.

LIFE

50,000hrs L₈₀B₅₀ (based on IESNA TM-21 Test Method and LM-80 data).

FINISH

Five-stage preparation process includes preheating of cast aluminum parts for air extraction. Polyester powder coating is applied through an electrostatic process, and oven cured for long term finish.

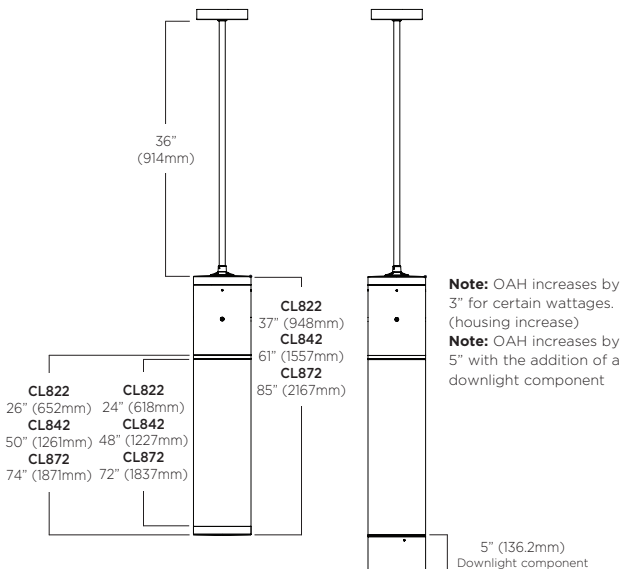
CERTIFICATION

Tested to UL1598 and CSA 22.2 #250. ETL listed wet location. Photometric testing performed by an independent laboratory in accordance with IES LM-79-08 standards at 25°C. Lumen depreciation in accordance with IESNA LM80 standards.

MOUNTING

Weight: **CL822:** 24.8 lbs (11.3 kg), **CL842:** 29.5 lbs (13.4 kg), **CL872:** 34 lbs (15.5 kg). Mounts aligned over a standard 4" (102mm) octagonal electrical box with a set of four additional anchoring hardware by others (see mounting details on page 3 for dimensions).

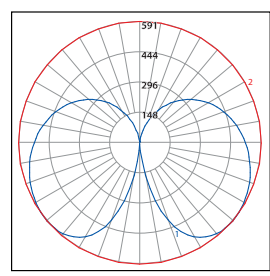
Fixture must be installed on a finished ceiling for exterior applications and/or when exposed to inclement weather.



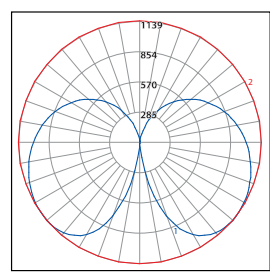
May 2021 Rev.0

CL822/CL842/CL872 SERIES LumiSTIK - LED

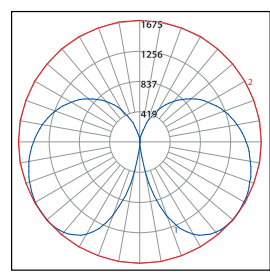
TYPICAL PHOTOMETRY SUMMARY



Descriptive Information
 CL822-L4L50
 Total Lms: 5581 Lumens
 Total Input Watts: 50.4 W
 Efficacy: 111 Lumens/Watt
 CCT/CRI: 4000K/80
 Maximum Candela: 591 @ 47.5°H/25.5°V



Descriptive Information
 CL842-L8L100
 Total Lms: 10,749 Lumens
 Total Input Watts: 96.6 W
 Efficacy: 112 Lumens/Watt
 CCT/CRI: 4000K/80
 Maximum Candela: 1139 @ 47.5°H/25.5°V

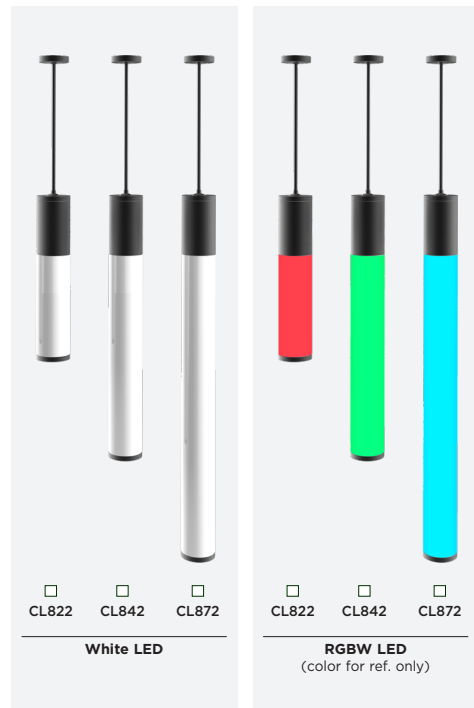


Descriptive Information
 CL872-L12L150
 Total Lms: 15,802 Lumens
 Total Input Watts: 142.2 W
 Efficacy: 111 Lumens/Watt
 CCT/CRI: 4000K/80
 Maximum Candela: 1674 @ 47.5°H/25.5°V

Please visit our web site www.luminis.com for complete I.E.S. formatted download data.

LUMINAIRE SELECTION

1 MODEL#



2 LED LIGHT SELECTION

WHITE LED (4000K/ 80CRI)			
SUFFIX	DELIVERED LUMENS	INPUT WATTS	LM / FT
<input type="checkbox"/> L4L10	1347	11	673
<input type="checkbox"/> L4L20	2022	16	1011
<input type="checkbox"/> L4L30	3743	32	1871
<input type="checkbox"/> L4L40	4333	38	2166
<input type="checkbox"/> L4L50 ⁵	5581	50	2790
<input type="checkbox"/> L8L20	2241	18	560
<input type="checkbox"/> L8L40	4267	35	1066
<input type="checkbox"/> L8L60	5972	50	1493
<input type="checkbox"/> L8L80 ⁵	8455	74	2113
<input type="checkbox"/> L8L100 ⁵	10749	97	2687
<input type="checkbox"/> L12L30	3361	27	560
<input type="checkbox"/> L12L60	5842	47	973
<input type="checkbox"/> L12L90 ⁵	8631	72	1438
<input type="checkbox"/> L12L120 ⁵	12060	104	2010
<input type="checkbox"/> L12L150 ⁵	15802	142	2633

RGBW SELECTION (CONTROLLED WITH DMX/RDM) ^{12, 13}			
SUFFIX	DELIVERED LUMENS	INPUT WATTS	LM / FT
CL822 <input type="checkbox"/> L4RGBW	2277	35	1138
CL842 <input type="checkbox"/> L8RGBW	4627	71	1158
CL872 <input type="checkbox"/> L12RGBW	6979	108	1164

Note: Values are for total delivered lumens. For individual maximum output values, refer to page 3. White CCT is 4000K & 80CRI.

3 VOLTAGE¹ 4 FINISH

- 120V
 - 277V
 - Optional
 - 347V
 - 480V
- STANDARD COLORS**
- WHT Snow white
 - BKT Jet black
 - BZT Bronze
 - MST Matte silver
 - GRT Titanium gray
 - DGT Gun metal
 - CHT Champagne
 - SGT Steel gray
 - BGT English cream
- (Refer to color chart)
- OPTIONAL COLORS**
- CS Custom color
 - RAL RAL# color
 - MG Marine Grade⁶
- (Ensure to also select the standard color)



CL822/CL842/CL872 SERIES LumiSTIK - LED

OPTIONS

ELECTRICAL

- FS** Fuse
- SP** Surge protector 10KV
- REML2-50** Remote mount battery backup for LED, 90 min., 7W
Remote mount to 50ft - 12" Square enclosure with access cover.²
- EMLC4** Integral battery backup for LED, 90 min. 10W integral to luminaire. Available for models up to 80W only.

MOUNTING

- CAT3** Catenary suspension attachment with 12° adjustment mechanism
- STM** 30° hang straight 36" stem. Please add length with option suffix. Stem is field cuttable. For 45° hang straight please consult factory. Max 36" for RGBW.
- SPG** Longer silver braided power cord. Please add length with option suffix. Dual SPG for RGBW. For indoor only.
- DSPG** 36" silver braided power cord and gray DMX485 cable. (Other lengths available, please specify). For indoor only.¹³
- SSC** Stabilizer cables. Available with STM option only.

ACCESSORIES

- FT8** Flat translucent bottom³. For indoor use only.

CCT & CRI

Alternate CCT °K LED (LCF: Lumen conversion factor)

- K27** 2700K CCT 80 CRI (LCF: 0.91)
- K3** 3000K CCT 80 CRI (LCF: 0.94)
- K35** 3500K CCT 80 CRI (LCF: 0.98)
- K4** 4000K CCT 80 CRI (LCF: 1.00)

NOTE: Other CCT & higher CRI available, please consult factory.

DOWNLIGHT COMPONENT & REFLECTOR⁴

- DL1L25NR** 44W Downlight component with narrow beam 9° optics (2565 lms)
- DL1L20** 20W downlight component (2155 Lms)
- DL1L40** 44W downlight component (4211 Lms)
- R15** Narrow optics 12°
- R30** Flood optics 28° (standard reflector)
- R40** Wide flood optics 38°
- R55** Wide flood optics 55°

CONTROL

- NLTAIR2** nLight AIR Control gen2 embedded in canopy, with black antenna.^{7, 8, 9, 10}

NOTES

- 1- If no voltage is specified, luminaires are factory prewired by default for 120V. For other voltages, please specify with catalog number, or consult factory.
- 2- The remote enclosure must be interior. When DL (downlight component) is selected, battery powers the DL module unless otherwise specified.
- 3- FT8 option can not be ordered in conjunction with any downlight component.
- 4- Must select downlight component and reflector (otherwise 28° reflector optics will be offered by default). Downlight CCT will match CCT selected for fixture. OAH of fixture will increase by 5" with the addition of a downlight component. For 0-10V drivers only.
- 5- For certain wattages, an additional 3" will be applied to the housing.
- 6- Marine grade paint for harsh, coastal environment and exposure to salt water. Additional delay required please contact factory for info.
- 7- 120/277V only.
- 8- Installed in Ø11" or Ø15" canopy with STM/SPG. Refer to the mounting images for more details.
- 9- Not compatible with REML2-50, EMLC4, CAT3, DL.
- 10- White sensor available upon request.
- 11- OAH increases by 1" to 4" for RGBW models. See page 6 for details.
- 12- RGBW not compatible with 347V, 480V, REML2-50, EMLC4, DL, NLTAIR2.
- 13- For STM option, max stem length is 36". For suspension cable option, RGBW uses DSPG only.

RGBW DETAILS

RGBW DMX

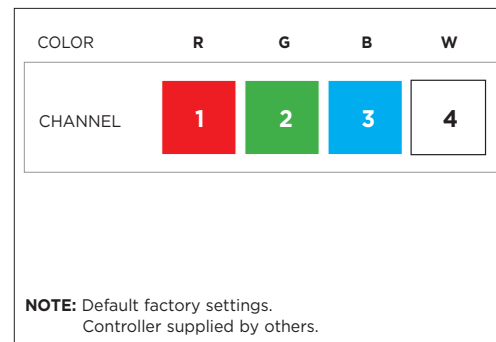
Total delivered lumens^{12, 13}

	Maximum output values								
	WHITE 4000K			TOT RGB			TOT		
	W	lm	lm/ft	W	lm	lm/ft	W	lm	lm/ft
CL822	9	1159	579	26	1118	559	35	2277	1138
CL842	19	2363	591	52	2264	567	71	4627	1158
CL872	28	3567	595	80	3412	569	108	6979	1164

The fixtures will be delivered with the default address 1.

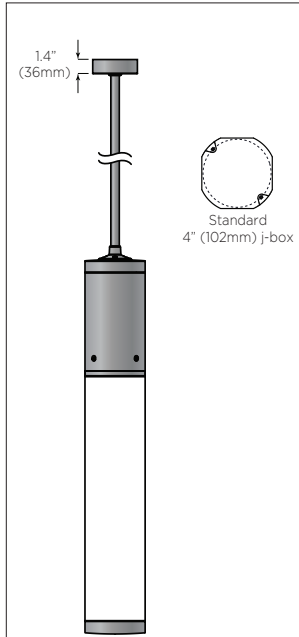
RGBW - DMX / RDM 4 channels

Users can generate any color by mixing the intensity of four independent red, green, blue and white channels.



CL822/CL842/CL872 SERIES LumiSTIK - LED

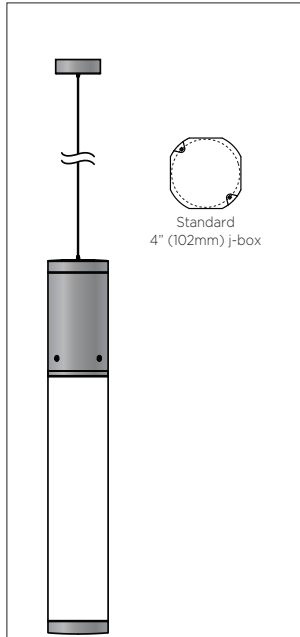
MOUNTING



STEM (STM)

Heavy duty 30° hang straight swivel, with Ø 4.5" (114mm) canopy and universal mounting plate.
Ø 7/8" x 36" (22mm x 914mm) suspension stem with aircraft safety cable.

Other lengths on request (specify STM with desired length).

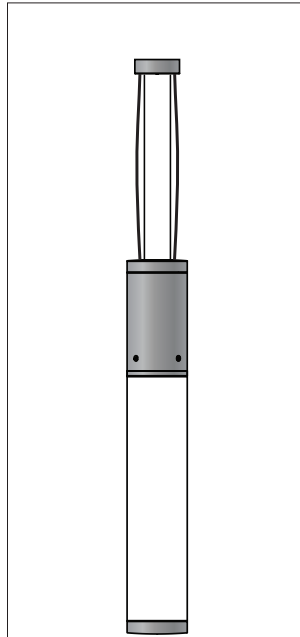


AIRCRAFT CABLE (SPG)

36" adjustable aircraft cable with silver braided power cable.

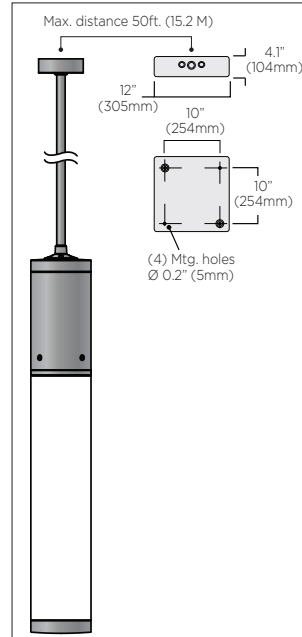
Other lengths on request (specify SPG with desired length).

Note: SPG option for indoor only.



DSPG

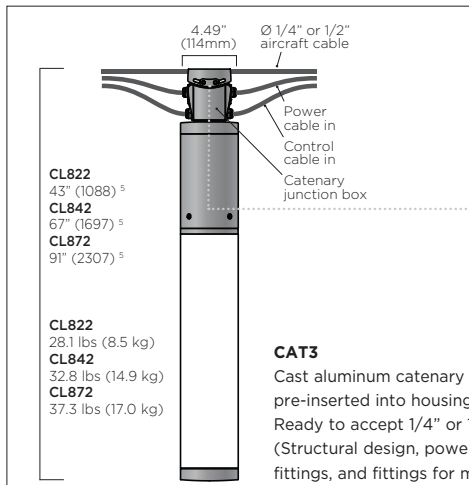
4/8 X 36" lg. silver braided power cable c/w 36" lg. gray DMX RS-485 cable. On site adjustable aircraft safety cable. Please add desired length with suffix.



REMOTE EMERGENCY (REML2-50)

7W Remote mount 120/277V emergency battery pack. Test switch provided within enclosure with 5" (127mm) leads.

Applicable for both STM and SPG options.

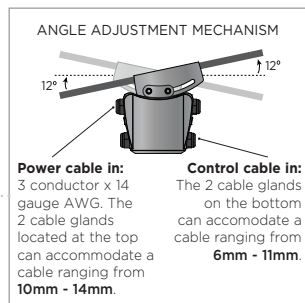


- CL822**
43" (1088) ⁵
- CL842**
67" (1697) ⁵
- CL872**
91" (2307) ⁵

- CL822**
28.1 lbs (8.5 kg)
- CL842**
32.8 lbs (14.9 kg)
- CL872**
37.3 lbs (17.0 kg)

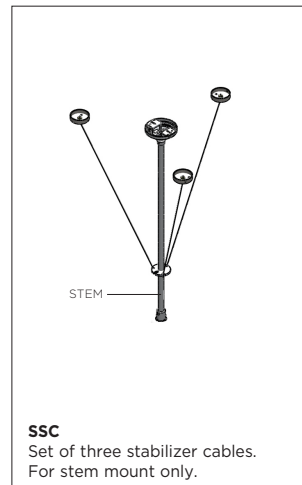
CAT3

Cast aluminum catenary junction box with 4 sealed connectors by Lumis and pre-inserted into housing.
Ready to accept 1/4" or 1/2" stainless steel suspension cable.
(Structural design, power cable, control cable, stainless steel catenary cable, cable fittings, and fittings for mounting to support structure provided by others.)



Power cable in:
3 conductor x 14 gauge AWG. The 2 cable glands located at the top can accommodate a cable ranging from 10mm - 14mm.

Control cable in:
The 2 cable glands on the bottom can accommodate a cable ranging from 6mm - 11mm.



SSC

Set of three stabilizer cables.
For stem mount only.


CL822/CL842/CL872 SERIES LumiSTIK - LED

MOUNTING

CANOPY TOP VIEW

Ø 11" (287mm)
1.5" (38mm)

Mounting points on ceiling (4x)
2" (50.8mm)
Junction box (for reference)
3.5" (88.9mm)
3" (76.2mm)
6" (152.4mm)


NLTAIR2 (STM & SPG) 
Ø11" canopy with nLight AIR Control gen2 and black antenna.

For the following light sources:
L4L10, L4L20, L4L30, L4L40
L8L20, L8L40
L12L30

CANOPY TOP VIEW

Ø 15" (391mm)
2.6" (66mm)

Junction box opening
Ø 11" (279mm)
(4) Mtg. holes
Ø 0.3" (7.6mm)

NLTAIR2 (STM & SPG) 
Ø15" canopy with nLight AIR Control gen2 and black antenna.

For the following light sources:
L4L50
L8L60, L8L80, L8L100
L12L60, L12L90, L12L120, L12L150

CL822/CL842/CL872 SERIES LumiSTIK - LED

RGBW DIMENSIONS

