



CL820/CL840/CL870 SERIES

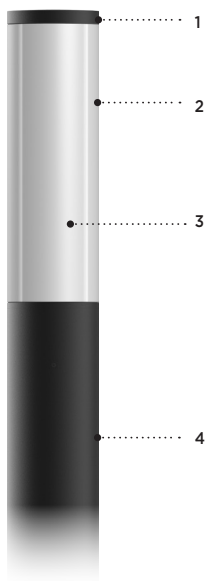
LumiSTIK - LED

8" COLUMN

TYPE: _____ QUANTITY: _____ PROJECT: _____

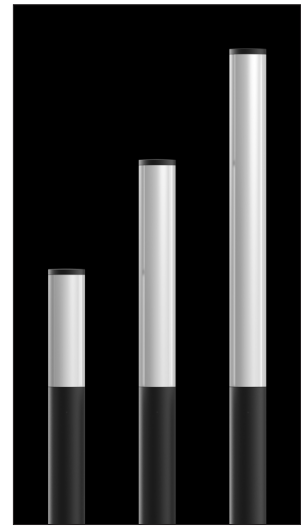
CATALOG NUMBER:

FIXTURE LED LIGHT SELECTION COLUMN VOLTAGE FINISH OPTION OPTION OPTION



- 1- Heavy cast aluminum top cover with embedded heat sink.
- 2- Ø 8" (203mm) High impact white translucent acrylic diffuser UV stabilized.
- 3- LED array.
- 4- Ø 8" (203mm) Extruded aluminum column.

CL820/CL840/CL870



MATERIALS

LumiSTIK column is made of 6061-T6 extruded aluminum alloy. All other cast parts are corrosion resistant 356 aluminum alloy with a copper (CU) content of less than 0.1%.
 LED boards are contained in a white UV stabilized high impact acrylic sealed cylinder. The assembly is designed to provide a uniform column illumination.
 LumiSTIK column is available in three standard acrylic lengths. Other lengths are available on request.

ELECTRICAL

DRIVER Standard driver is 0-10V dimming-ready (dims to 10%) with: 120-277 multi-volt compatibility (50-60Hz), operating temperature range of -40°C to +55°C/-40°F to +131°F, output over voltage protection, output over current protection and output short circuit protection with auto-recovery. Driver for RGBW is DMX512 / RDM compatible.

LED 2700K/3000K/3500K/4000K CCT with 80 CRI. Optional RGBW.

LIFE

50,000hrs L₈₀B₅₀ (based on IESNA TM-21 Test Method and LM-80 data).

FINISH

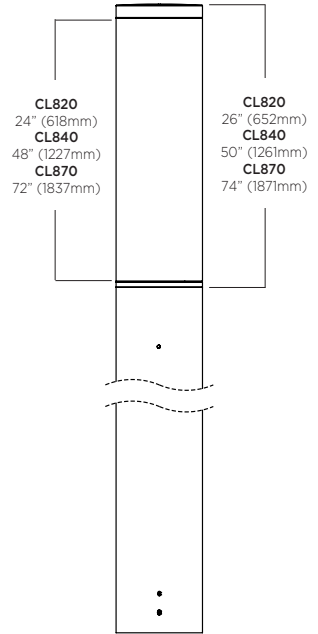
Five-stage preparation process includes preheating of cast aluminum parts for air extraction. Polyester powder coating is applied through an electrostatic process, and oven cured for long term finish.

CERTIFICATION

Tested to UL1598 and CSA 22.2 #250. ETL listed wet location.
 Photometric testing performed by an independent laboratory in accordance with IES LM-79-08 standards at 25°C. Lumen depreciation in accordance with IESNA LM80 standards. Rated IP65.

MOUNTING

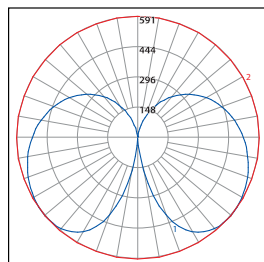
LumiSTIK is designed for ease of access and installation. See page 3 for mounting details.



Apr. 2021 Rev.0

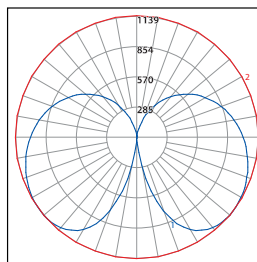
CL820/CL840/CL870 SERIES LumiSTIK - LED

TYPICAL PHOTOMETRY SUMMARY



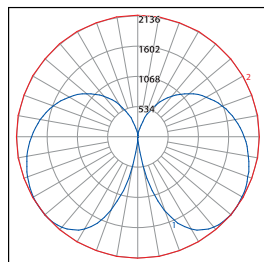
Descriptive Information

CL820-L4L50
Total Lms: 5581 Lumens
Total Input Watts: 50.4 W
Efficacy: 111 Lumens/Watt
BUG: B2-U5-G3
CCT/CRI: 4000K/80
Maximum Candela: 591 @ 47.5°H/25.5°V



Descriptive Information

CL840-L8L100
Total Lms: 10,749 Lumens
Total Input Watts: 96.6 W
Efficacy: 112 Lumens/Watt
BUG: B3-U5-G4
CCT/CRI: 4000K/80
Maximum Candela: 1139 @ 47.5°H/25.5°V



Descriptive Information

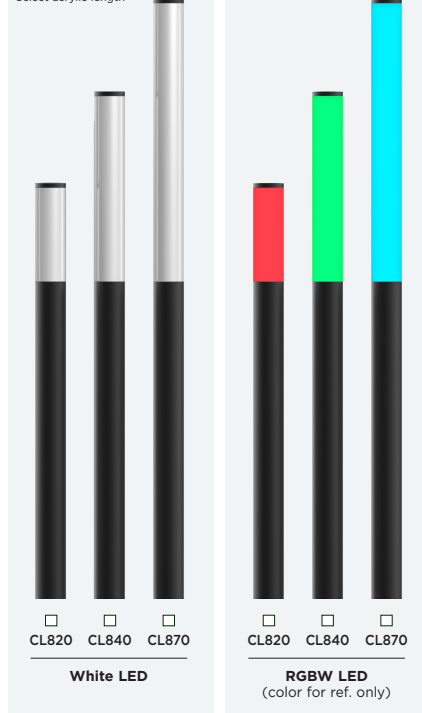
CL870-L12L200
Total Lms: 20,157 Lumens
Total Input Watts: 189.3 W
Efficacy: 107 Lumens/Watt
BUG: B3-U5-G5
CCT/CRI: 4000K/80
Maximum Candela: 2136 @ 47.5°H/25.5°V

Please visit our web site www.luminis.com for complete I.E.S. formatted download data.

LUMINAIRE SELECTION

1 MODEL SELECTION

Select acrylic length



2 LED LIGHT SELECTION (4000K/80CRI)

WHITE LED (4000K/ 80CRI)			
SUFFIX	DELIVERED LUMENS	INPUT WATTS	LM / FT
CL820	<input type="checkbox"/> L4L10	1347	11 673
	<input type="checkbox"/> L4L20	2022	16 1011
	<input type="checkbox"/> L4L30	3743	32 1871
	<input type="checkbox"/> L4L40	4333	38 2166
	<input type="checkbox"/> L4L50	5581	50 2790
CL840	<input type="checkbox"/> L8L20	2241	18 560
	<input type="checkbox"/> L8L40	4267	35 1066
	<input type="checkbox"/> L8L60	5972	50 1493
	<input type="checkbox"/> L8L80	8455	74 2113
	<input type="checkbox"/> L8L100	10749	97 2687
CL870	<input type="checkbox"/> L12L30	3361	27 560
	<input type="checkbox"/> L12L60	5842	47 973
	<input type="checkbox"/> L12L90	8631	72 1438
	<input type="checkbox"/> L12L120	12060	104 2010
	<input type="checkbox"/> L12L150	15802	142 2633
	<input type="checkbox"/> L12L200	20157	189 3359

RGBW SELECTION (CONTROLLED WITH DMX/RDM)			
SUFFIX	DELIVERED LUMENS	INPUT WATTS	LM / FT
CL820	<input type="checkbox"/> L4RGBW	2277	35 1138
CL840	<input type="checkbox"/> L8RGBW	4627	71 1158
CL870	<input type="checkbox"/> L12RGBW	6979	108 1164

Note: Values are for total delivered lumens. For individual maximum output values, refer to page 4. White CCT is 4000K & 80CRI.

3 OAH COLUMN SELECTION

POLE FOR:	OAH Assembly		
	CL820	CL840	CL870
<input type="checkbox"/> CLP844	72"	96"	120"
<input type="checkbox"/> CLP868	96"	120"	144"
<input type="checkbox"/> CLP892	120"	144"	168"
<input type="checkbox"/> CLP8116	144"	168"	192"
<input type="checkbox"/> CLP8140	168"	192"	216"
<input type="checkbox"/> CLP8164	192"	216"	240"
<input type="checkbox"/> CLP8188	216"	240"	264"
<input type="checkbox"/> CLP8212	240"	264"	288"
<input type="checkbox"/> CLP8236	264"	288"	312"

(OAH Column consists of acrylic + pole)

4 VOLTAGE¹ 5 FINISH

- STANDARD COLORS**
- 120V
 - 277V
 - WHT Snow white
 - BKT Jet black
 - BZT Bronze
 - MST Matte silver
 - GRT Titanium gray
 - DGT Gun metal
 - CHT Champagne
 - SGT Steel gray
 - BGT English cream
- (Refer to color chart)
- OPTIONAL COLORS**
- CS Custom color
 - RAL RAL# color
 - MG Marine Grade⁵
- (Ensure to also select the standard color)



CL820/CL840/CL870 SERIES LumiSTIK - LED

OPTIONS

ELECTRICAL

- FS Fuse
- PH Photocell²
- SP Surge protector 10KV

CCT & CRI

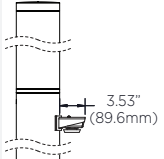
- Alternate CCT °K LED (LCF: Lumen conversion factor)
- K27 2700K CCT 80 CRI (LCF: 0.91)
 - K3 3000K CCT 80 CRI (LCF: 0.94) NOTE: Other CCT & higher CRI available, please
 - K35 3500K CCT 80 CRI (LCF: 0.98) consult factory.
 - K4 4000K CCT 80 CRI (LCF: 1.00)

ACCESSORIES

- GFI Ground fault interruption receptacle³
- CGF Ground fault interruption with clear in-use cover³
- BNF Fixed 24" banner support (single arm at top)⁴
- 2BNF Two fixed 24" banner supports (arm at top & bottom)⁴
- BNF180 Two fixed 24" banner supports at 180° (arms at top only)⁴
- 2BNF180 Four fixed 24" banner supports at 180° (arms at top & bottom)⁴
- DECO1^{10,11} Full decorative shroud with round perforations. See page 5 for more details.
- DECO2^{10,11} Full decorative shroud with vertical slots. See page 5 for more details.
- DECO3^{10,11} Half blockout shield. See page 5 for more details.
- DECO4¹¹ Half blockout shield. Field installable. See page 5 for more details.

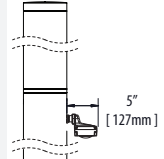
MOTION SENSOR DEVICE

- MSD Motion sensor device (High/low to 25%). 255° coverage. Installed at 180° from hand hole. 120/277VAC, 50/60Hz (or 230VAC, 50Hz).



CONTROL

- NLTAIR2 nLight AIR Control gen2, Pole mounted black sensor. 270° coverage. Installed at 180° from hand hole.



NOTES

- 1- Luminaires are factory prewired by default for 120V. For other voltages, please specify with catalog number, or consult factory.
- 2- Photocell installed on the side of the fixture.
- 3- GFI and CGF options are installed 26" above grade unless otherwise specified. CGF cover protrudes by Ø 3.62" (92mm). 120V required for GFI or CGF.
- 4- BNF, 2BNF, BNF180 & 2BNF180 are factory set in position as required. Location along pole to be specified.
- 5- Marine grade paint for harsh, coastal environment and exposure to salt water. Additional delay required please contact factory for info.
- 6- Not compatible with PH, MSD.
- 7- White sensor available upon request.
- 8- OAH increases by 1" for RGBW models. See page 5 for details.
- 9- RGBW not available with 347V, 480V, PH, MSD, NLTAIR2.
- 10- OAH varies for DECO1/2/3 models. See page 5 for details.
- 11- Not compatible with RGBW.

RGBW DETAILS

RGBW DMX

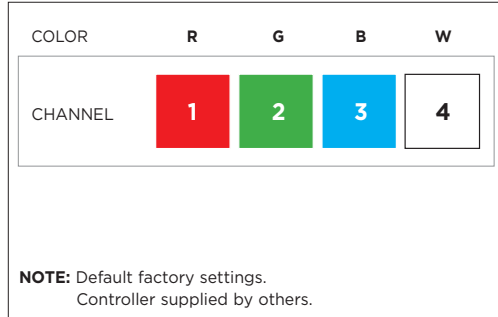
Total delivered lumens⁹

	Maximum output values								
	WHITE 4000K			TOT RGB			TOT		
	W	lm	lm/ft	W	lm	lm/ft	W	lm	lm/ft
CL820	9	1159	579	26	1118	559	35	2277	1138
CL840	19	2363	591	52	2264	567	71	4627	1158
CL870	28	3567	595	80	3412	569	108	6979	1164

The fixtures will be delivered with the default address 1.

RGBW - DMX / RDM 4 channels

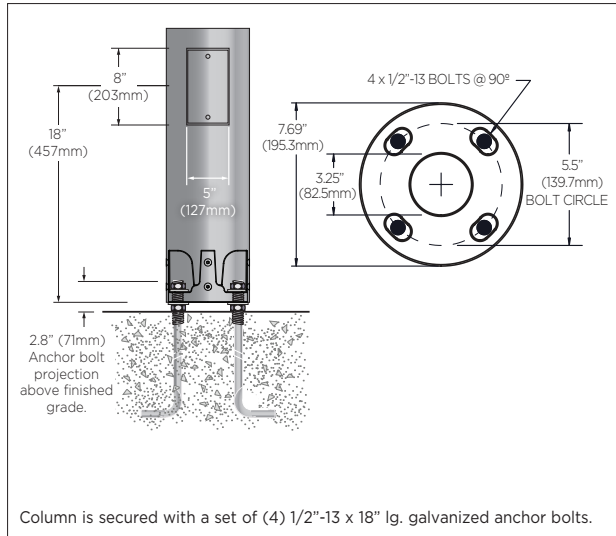
Users can generate any color by mixing the intensity of four independent red, green, blue and white channels.



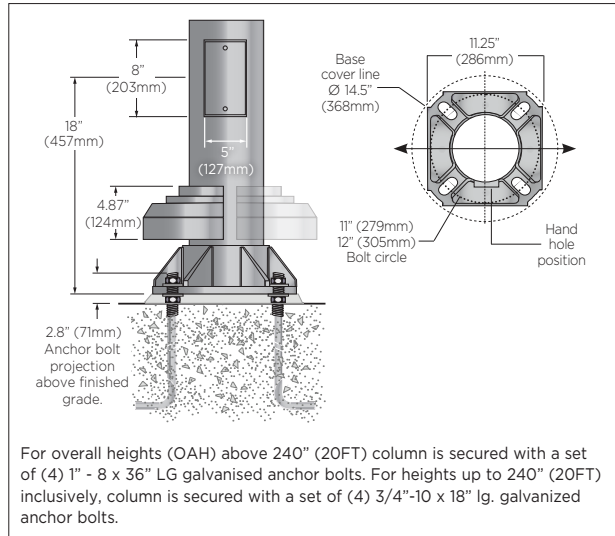
CL820/CL840/CL870 SERIES LumiSTIK - LED

MOUNTING INFORMATION

OVERALL HEIGHTS FROM 72" (6FT) TO 168" (14FT)



OVERALL HEIGHTS ABOVE 168" (14FT)



MOUNTING ACCESSORIES



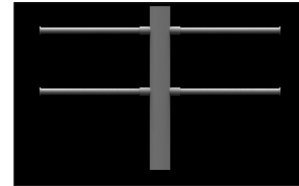
BNF: Fixed 24" banner support



2BNF: Two fixed 24" banner supports




BNF180: Two fixed 24" banner supports at 180°



2BNF180: Four fixed 24" banner supports at 180°


CL820/CL840/CL870 SERIES LumiSTIK - LED

ACCESSORIES




CL820
27" (686mm)
CL840
51" (1282mm)
CL870
73" (1860mm)

DECO1
Decorative shroud. 360° shield with circular pattern. 9% light transmission. Cannot be installed on-site. (CL820 shown here)



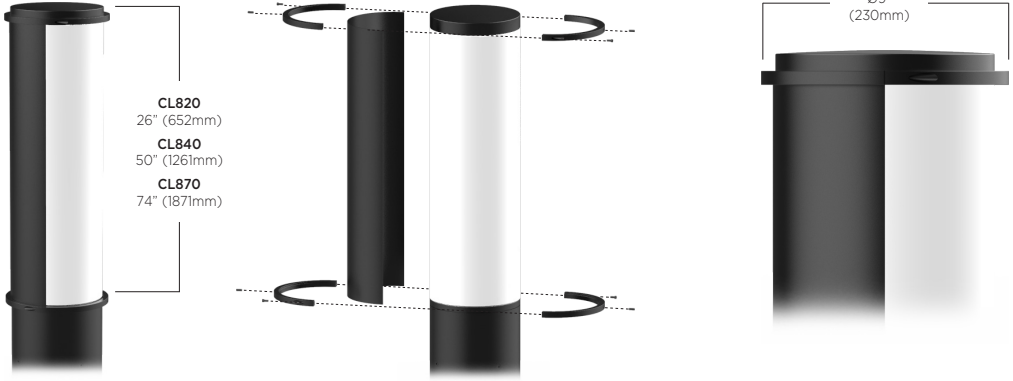
CL820
27" (686mm)
CL840
51" (1282mm)
CL870
73" (1860mm)

DECO2
Decorative shroud. 360° shield with vertical slot pattern. 23% light transmission. Cannot be installed on-site. (CL820 shown here)



CL820
27" (686mm)
CL840
51" (1282mm)
CL870
73" (1860mm)

DECO3
Blockout 180° shield. Cannot be installed on-site. (CL820 shown here)



CL820
26" (652mm)
CL840
50" (1261mm)
CL870
74" (1871mm)

DECO4
Blockout 180° shield. Field installable. (CL820 shown here)

Ø9" (230mm)

CL820/CL840/CL870 SERIES LumiSTIK - LED

RGBW DIMENSIONS

