

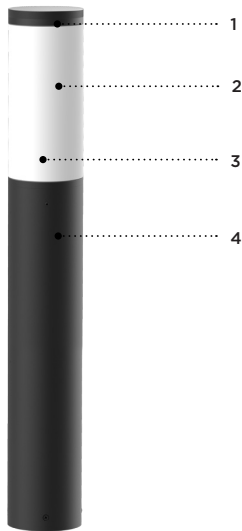


CL613/CL623 SERIES
LumiSTIK - LED
6" BOLLARD

TYPE: _____ QUANTITY: _____ PROJECT: _____

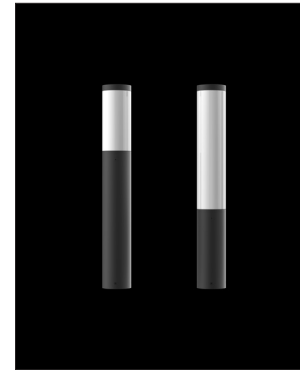
CATALOG NUMBER:

FIXTURE LED LIGHT SELECTION VOLTAGE FINISH OPTION OPTION OPTION OPTION



- 1- Heavy cast aluminum top cover with embedded heat sink.
- 2- Ø 6" (152mm) High impact white translucent acrylic UV stabilized.
- 3- LED array.
- 4- Ø 6" (152mm) extruded aluminum base.

CL613/CL623



MATERIALS

LumiSTIK bollard is made of corrosion resistant 356 aluminum alloy with a copper (CU) content of less than 0.1%. LED is contained in a white UV stabilized high impact acrylic sealed cylinder. The assembly is designed to provide a uniform column illumination.

ELECTRICAL

DRIVER Standard driver is 0-10V dimming-ready (dims to 10%) with: 120-277 multi-volt compatibility (50-60Hz), operating temperature range of -40°C to +55°C/-40°F to +131°F, output over voltage protection, output over current protection and output short circuit protection with auto-recovery. Driver for RGBW is DMX512 / RDM compatible.

LED 2700K/3000K/3500K/4000K CCT with 80 CRI. Optional RGBW.

LIFE

50,000hrs L₈₅B₅₀ (based on IESNA TM-21 Test Method and LM-80 data).

FINISH

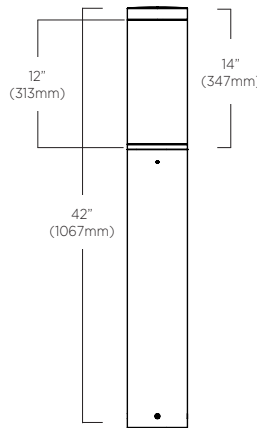
Five-stage preparation process includes preheating of cast aluminum parts for air extraction. Polyester powder coating is applied through an electrostatic process, and oven cured for long term finish.

CERTIFICATION

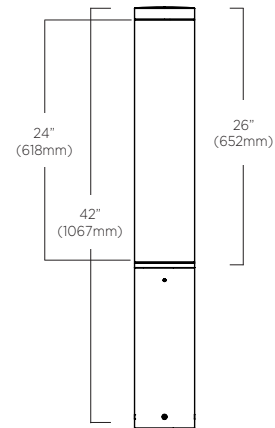
Tested to UL1598 and CSA 22.2 #250. ETL listed wet location. Photometric testing performed by an independent laboratory in accordance with IES LM-79-08 standards at 25°C. Lumen depreciation in accordance with IESNA LM80 standards. Rated IP65.

MOUNTING

Mounts with a set of 4 x 1/2"-13 x 18" lg. galvanized anchor bolts. See page 3 for mounting details.



CL613

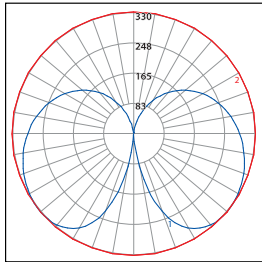


CL623

Apr. 2021 Rev.1

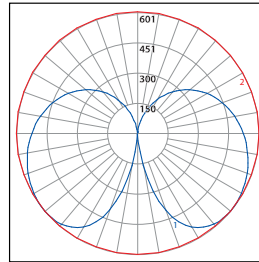
CL613/CL623 SERIES LumiSTIK - LED

TYPICAL PHOTOMETRY SUMMARY



Descriptive Information

CL613-L4L30
Total Lms: 3129 Lumens
Total Input Watts: 32.2 W
Efficacy: 97 Lumens/Watt
BUG: B1-U4-G2
CCT/CRI: 4000K/80
Maximum Candela: 330 @ 42.5°H/29°V



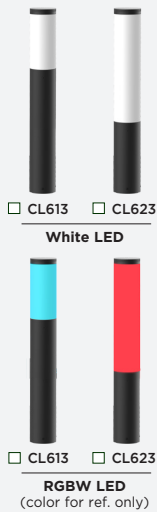
Descriptive Information

CL623-L4L50
Total Lms: 5695 Lumens
Total Input Watts: 58.8 W
Efficacy: 97 Lumens/Watt
BUG: B2-U5-G3
CCT/CRI: 4000K/80
Maximum Candela: 600 @ 42.5°H/29°V

Please visit our web site www.luminis.com for complete I.E.S. formatted download data.

LUMINAIRE SELECTION

1 MODEL



2 LED LIGHT SELECTION

WHITE LED (4000K/ 80CRI)

SUFFIX	DELIVERED LUMENS	INPUT WATTS	LM / FT
<input type="checkbox"/> L4L5	605	5	605
<input type="checkbox"/> L4L10	1009	9	1009
<input type="checkbox"/> L4L15	1585	15	1585
<input type="checkbox"/> L4L20	2135	21	2135
<input type="checkbox"/> L4L30	3129	32	3129

SUFFIX	DELIVERED LUMENS	INPUT WATTS	LM / FT
<input type="checkbox"/> L4L10	1210	11	605
<input type="checkbox"/> L4L20	2041	18	1020
<input type="checkbox"/> L4L30	3170	30	1585
<input type="checkbox"/> L4L40	4270	42	2135
<input type="checkbox"/> L4L50	5695	59	2847

RGBW SELECTION (CONTROLLED WITH DMX/RDM)

SUFFIX	DELIVERED LUMENS	INPUT WATTS	LM / FT
<input type="checkbox"/> L4RGBW	1154	21	1154
<input type="checkbox"/> L4RGBW	2046	35	1023

Note: Values are for total delivered lumens. For individual maximum output values, refer to page 3.
White CCT is 4000K & 80CRI.

3 VOLTAGE¹ 4 FINISH

- 120V
- 277V
- Optional
- 347V
- 480V

STANDARD COLORS

- WHT Snow white
- BKT Jet black
- BZT Bronze
- MST Matte silver
- GRT Titanium gray
- DGT Gun metal
- CHT Champagne
- SGT Steel gray
- BGT English cream

(Refer to color chart)

OPTIONAL COLORS

- CS Custom color
 - RAL RAL# color
 - MG Marine Grade⁵
- (Ensure to also select the standard color)

OPTIONS

ELECTRICAL

- REML2-50 Remote mount battery backup for LED 90 mins, 7W Remote mount to 50ft. 12" square enclosure with access cover²
- FS Fuse
- PH Photocell³
- SP Surge protector 10KV

ACCESSORIES

- GFI Ground fault circuit interruption receptacle (CL613 only)⁴
- CGF Ground fault circuit interruption with clear in-use cover (CL613 only)⁴
- DECO1^{8,9} Full decorative shroud with round perforations. See page 4 for more details.
- DECO2^{8,9} Full decorative shroud with vertical slots. See page 4 for more details.
- DECO3^{8,9} Half blackout shield. See page 4 for more details.
- DECO4⁹ Half blackout shield. Field installable. See page 4 for more details.

CCT & CRI

- Alternate CCT °K LED for white LED. (LCF: Lumen conversion factor)
 - K27 2700K CCT 80 CRI (LCF: 0.91)
 - K3 3000K CCT 80 CRI (LCF: 0.94)
 - K35 3500K CCT 80 CRI (LCF: 0.98)
 - K4 4000K CCT 80 CRI (LCF: 1.00)
- NOTE: Other CCT & higher CRI available, please consult factory. Does not apply for RGBW.

MOUNTING

- PR6 Pedestal mount adaptor. OAH 26" (660mm). (CL613 only)

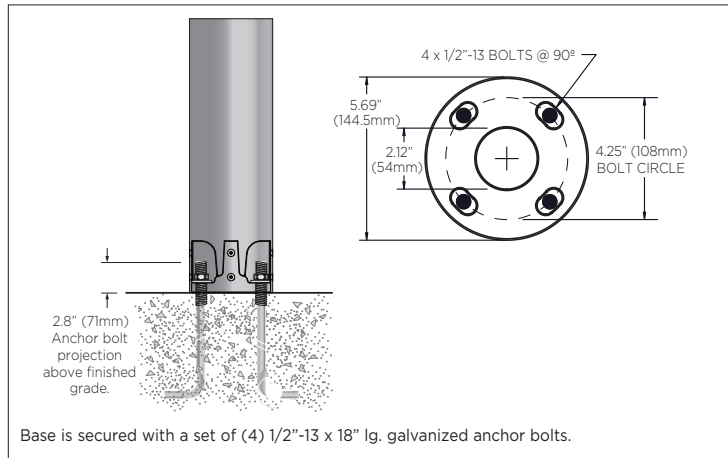
NOTES

- 1- If no voltage is specified, luminaires are factory prewired by default for 120V. For other voltages, please specify with catalog number, or consult factory.
- 2- The remote enclosure must be interior.
- 3- Photocell installed on the side of the fixture.
- 4- GFI and CGF options are installed 15" above grade unless otherwise specified. CGF cover protrudes by Ø 3.62" (92mm). 120V required for GFI or CGF.
- 5- Marine grade paint for harsh, coastal environment and exposure to salt water. Additional delay required please contact factory for info.
- 6- OAH increases by 1" for RGBW models. See page 4 for details.
- 7- RGBW not available with 347V, 480V, REML2-50, PH.
- 8- OAH increases by 1.3" for DECO1/2/3 models. See page 4 for details.
- 9- Not compatible with RGBW.



CL613/CL623 SERIES LumiSTIK - LED

MOUNTING INFORMATION



RGBW DETAILS

RGBW DMX

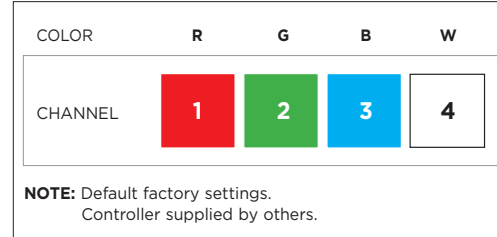
Total delivered lumens⁷

	Maximum output values								
	WHITE 4000K			TOT RGB			TOT		
	W	lm	lm/ft	W	lm	lm/ft	W	lm	lm/ft
CL613	5	602	602	16	552	552	21	1154	1154
CL623	9	1041	521	26	1005	502	35	2046	1023

The fixtures will be delivered with the default address 1.

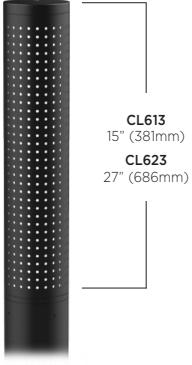
RGBW - DMX / RDM 4 channels

Users can generate any color by mixing the intensity of four independent red, green, blue and white channels.



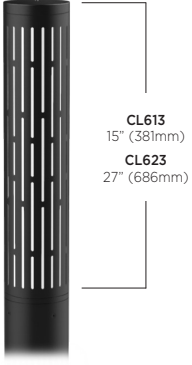
CL613/CL623 SERIES LumiSTIK - LED

ACCESSORIES



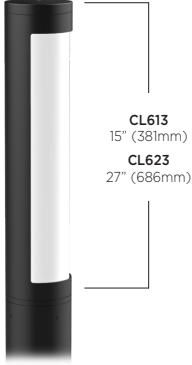
CL613
15" (381mm)
CL623
27" (686mm)

DECO1
Decorative shroud. 360° shield with circular pattern. 9% light transmission.
Cannot be installed on-site.
(CL623 shown here)



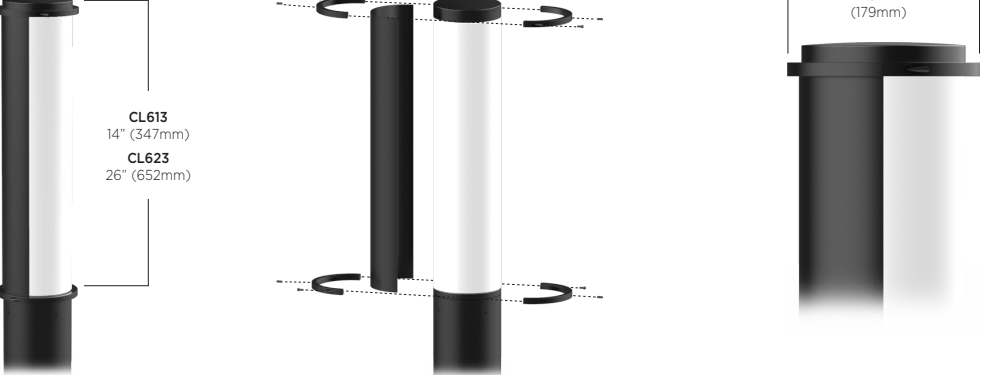
CL613
15" (381mm)
CL623
27" (686mm)

DECO2
Decorative shroud. 360° shield with vertical slot pattern. 23% light transmission.
Cannot be installed on-site.
(CL623 shown here)



CL613
15" (381mm)
CL623
27" (686mm)

DECO3
Blockout 180° shield.
Cannot be installed on-site.
(CL623 shown here)



CL613
14" (347mm)
CL623
26" (652mm)

DECO4
Blockout 180° shield. Field installable.
(CL623 shown here)

CL613/CL623 SERIES

LumiSTIK - LED

RGBW DIMENSIONS

