



CL622/CL642/CL672 SERIES

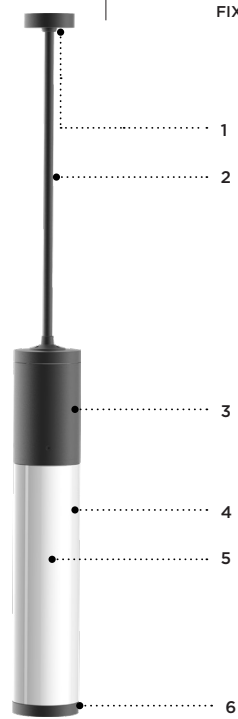
LumiSTIK - LED

6" PENDANT

TYPE: _____ QUANTITY: _____ PROJECT: _____

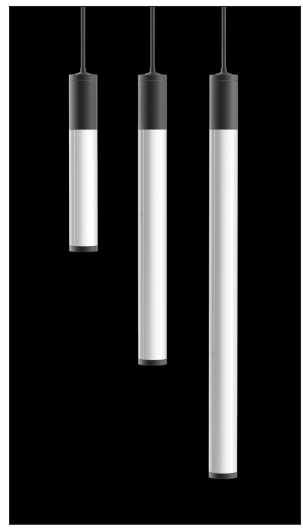
CATALOG NUMBER:

FIXTURE LED LIGHT SELECTION VOLTAGE FINISH OPTION OPTION OPTION OPTION



- 1- Standard heavy duty 30° hang straight swivel, with Ø 4.375" (111mm) canopy and universal mounting plate.
- 2- Ø 7/8" x 36" (22mm x 914mm) suspension stem with aircraft safety cable. Other lengths available on request (specify STM with desired length).
- 3- Ø 6" (152mm) aluminum extruded housing and driver enclosure.
- 4- Ø 6" (152mm) High impact white translucent acrylic diffuser UV stabilized.
- 5- LED array.
- 6- Heavy cast aluminum cover with embedded heat sink.

CL622/CL642/CL672



MATERIALS

LumiSTIK pendant is made of corrosion resistant 356 aluminum alloy with a copper (CU) content of less than 0.1%. LED boards are contained in a white UV stabilized high impact acrylic sealed cylinder. The assembly is designed to provide a uniform column illumination. LumiSTIK pendant is available with three standard acrylic lengths. Other lengths are available on request.

ELECTRICAL

DRIVER Standard driver is 0-10V dimming-ready (dims to 10%) with: 120-277 multi-volt compatibility (50-60Hz), operating temperatures of -40°C to +55°C/-40°F to +131°F, output over voltage protection, output over current protection, output short circuit protection with auto-recovery. Driver for RGBW is DMX512 / RDM compatible.

LED 2700K/3000K/3500K/4000K CCT with 80 CRI. Optional RGBW.

LIFE

50,000hrs L₈₀B₅₀ (based on IESNA TM-21 Test Method and LM-80 data).

FINISH

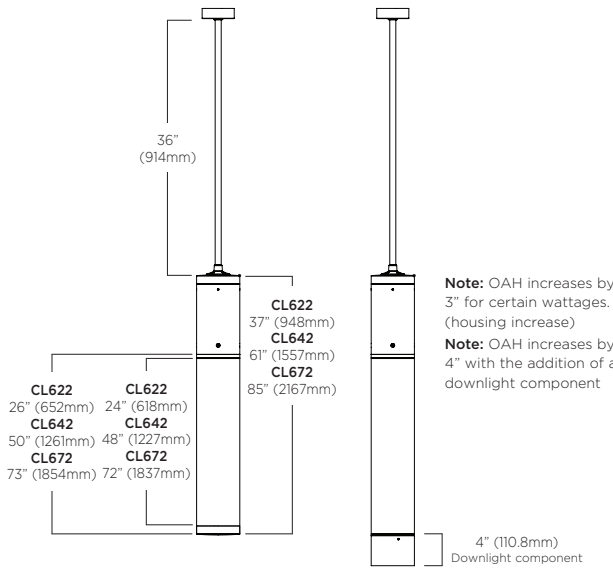
Five-stage preparation process includes preheating of cast aluminum parts for air extraction. Polyester powder coating is applied through an electrostatic process, and oven cured for long term finish.

CERTIFICATION

Tested to UL1598 and CSA 22.2 #250.ETL listed wet location. Photometric testing performed by an independent laboratory in accordance with IES LM-79-08 standards at 25°C. Lumen depreciation in accordance with IESNA LM80 standards.

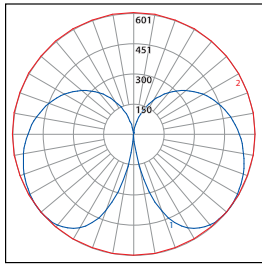
MOUNTING

Weight: CL622: 15.4 lbs (7 kg), CL642: 19 lbs (8.6 kg), CL672: 22.7 lbs (10.3 kg)
 Mounts on a standard 4" (102mm) octagonal electrical box with 3 1/2" (89mm) C/C mounting holes. Fixture must be installed on a finished ceiling for exterior applications and/or when exposed to inclement weather.



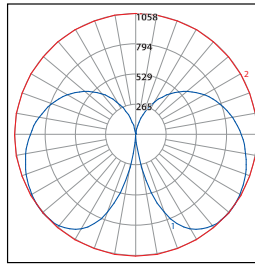
CL622/CL642/CL672 SERIES LumiSTIK - LED

TYPICAL PHOTOMETRY SUMMARY



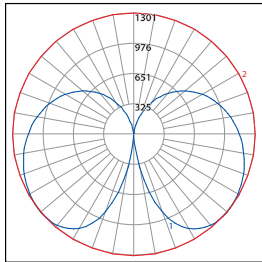
Descriptive Information

CL622-L4L50
Total Lms: 5695 Lumens
Total Input Watts: 58.8 W
Efficacy: 97 Lumens/Watt
CCT/CRI: 4000K/80
Maximum Candela: 600 @ 42.5°H/29°V



Descriptive Information

CL642-L8L100
Total Lms: 10,029 Lumens
Total Input Watts: 100.9 W
Efficacy: 99 Lumens/Watt
CCT/CRI: 4000K/80
Maximum Candela: 1058 @ 42.5°H/29°V



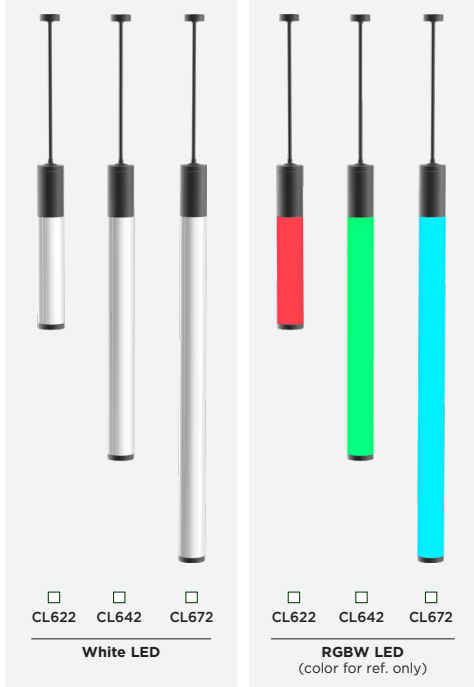
Descriptive Information

CL672-L12L120
Total Lms: 12,329 Lumens
Total Input Watts: 121.2 W
Efficacy: 101 Lumens/Watt
CCT/CRI: 4000K/80
Maximum Candela: 1301 @ 42.5°H/29°V

Please visit our web site www.luminis.com for complete I.E.S. formatted download data.

LUMINAIRE SELECTION

1 MODEL#



2 LED LIGHT SELECTION

WHITE LED (4000K/ 80CRI)

SUFFIX	DELIVERED LUMENS	INPUT WATTS	LM / FT
<input type="checkbox"/> L4L10	1210	11	605
<input type="checkbox"/> L4L20	2041	18	1020
<input type="checkbox"/> L4L30	3170	30	1585
<input type="checkbox"/> L4L40	4270	42	2135
<input type="checkbox"/> L4L50 ⁵	5695	59	2847

<input type="checkbox"/> L8L20	2217	20	554
<input type="checkbox"/> L8L40	4035	37	1008
<input type="checkbox"/> L8L60	5757	54	1439
<input type="checkbox"/> L8L80 ⁵	8352	82	2088
<input type="checkbox"/> L8L100 ⁵	10029	101	2507

<input type="checkbox"/> L12L30	3224	29	537
<input type="checkbox"/> L12L60	6053	55	1008
<input type="checkbox"/> L12L90 ⁵	8597	81	1432
<input type="checkbox"/> L12L120 ⁵	12329	121	2054

RGBW SELECTION (CONTROLLED WITH DMX/RDM)^{12, 15}

SUFFIX	DELIVERED LUMENS	INPUT WATTS	LM / FT
CL622 <input type="checkbox"/> L4RGBW	2046	35	1023
CL642 <input type="checkbox"/> L8RGBW	4158	71	1039
CL672 <input type="checkbox"/> L12RGBW	6272	108	1045

Note: Values are for total delivered lumens. For individual maximum output values, refer to page 3. White CCT is 4000K & 80CRI.

3 VOLTAGE¹

- 120V
- 277V

- Optional
- 347V
 - 480V

4 FINISH

STANDARD COLORS

- WHT Snow white
- BKT Jet black
- BZT Bronze
- MST Matte silver
- GRT Titanium gray
- DGT Gun metal
- CHT Champagne
- SGT Steel gray
- BGT English cream

(Refer to color chart)

OPTIONAL COLORS

- CS Custom color
 - RAL RAL# color
 - MG Marine Grade⁶
- (Ensure to also select the standard color)



CL622/CL642/CL672 SERIES LumiSTIK - LED

OPTIONS

ELECTRICAL

- FS** Fuse
- SP** Surge protector 10KV
- REML2-50** Remote mount battery backup for LED, 90 min., 7W Remote mount to 50ft - 12" Square enclosure with access cover.²
- EMLC4** Integral battery backup for LED, 90 min. 10W integral to luminaire. Available for models up to 80W only.

MOUNTING

- CAT3** Catenary suspension attachment with 12° adjustment mechanism
- STM** 30° hang straight 36" stem. Please add length with option suffix. Stem is field cuttable. For 45° hang straight please consult factory. Max 36" for RGBW.
- SPG** Longer silver braided power cord. Please add length with option suffix. Dual SPG for RGBW. For indoor only. 36" silver braided power cord and gray DMX485 cable. (Other lengths available, please specify). For indoor only.¹²
- DSPG** Stabilizer cables. Available with STM option only.
- SSC**

ACCESSORIES

- FT6** Flat translucent bottom³. For indoor use only.

CCT & CRI

- Alternate CCT °K LED (LCF: Lumen conversion factor)
- K27** 2700K CCT 80 CRI (LCF: 0.91)
 - K3** 3000K CCT 80 CRI (LCF: 0.94)
 - K35** 3500K CCT 80 CRI (LCF: 0.98)
 - K4** 4000K CCT 80 CRI (LCF: 1.00)
- NOTE: Other CCT & higher CRI available, please consult factory.

DOWNLIGHT COMPONENT & REFLECTOR⁴

- DL1L15NR** 24W downlight component with narrow beam, 9° optics (140lm)
- DL1L20** 20W downlight component (2155 Lms)
- DL1L40** 44W downlight component (4211 Lms)
- R15** Narrow optics 15°
- R30** Flood optics 30° (standard)
- R55** Wide flood optics 52°

CONTROL

- NLTAIR2** nLight AIR Control gen2 embedded in canopy, with black antenna.^{7, 8, 9, 10}

NOTES

- 1- If no voltage is specified, luminaires are factory prewired by default for 120V. For other voltages, please specify with catalog number, or consult factory.
- 2- The remote enclosure must be interior. When DL (downlight component) is selected, battery powers the DL module unless otherwise specified.
- 3- FT6 option can not be ordered in conjunction with any downlight component.
- 4- Must select downlight component and reflector (otherwise 30° reflector optics will be offered by default). Downlight CCT will match CCT selected for fixture. OAH of fixture will increase by 4" with the addition of a downlight component for all models (see image on page 1). 0-10V dimming only.
- 5- For certain wattages, an additional 3" will be applied to the housing.
- 6- Marine grade paint for harsh, coastal environment and exposure to salt water. Additional delay required please contact factory for info.
- 7- 120/277V only.
- 8- Installed in Ø11" or Ø15" canopy with STM/SPG. Refer to the mounting images for more details.
- 9- Not compatible with REML2-50, EMLC4, CAT3, DL.
- 10- White sensor available upon request.
- 11- OAH increases by 1" to 4" for RGBW models. See page 6 for details.
- 12- For STM option, max stem length is 36". For suspension cable option, RGBW uses DSPG only.
- 13- RGBW not compatible with 347V, 480V, REML2-50, EMLC4, DL, NLTAIR2.

RGBW DETAILS

RGBW DMX

Total delivered lumens^{12, 13}

	Maximum output values								
	WHITE 4000K			TOT RGB			TOT		
	W	lm	lm/ft	W	lm	lm/ft	W	lm	lm/ft
CL622	9	1041	521	26	1005	502	35	2046	1023
CL642	19	2123	531	52	2035	508	71	4158	1039
CL672	28	3205	534	79	3067	511	108	6272	1045

The fixtures will be delivered with the default address 1.

RGBW - DMX / RDM 4 channels

Users can generate any color by mixing the intensity of four independent red, green, blue and white channels.

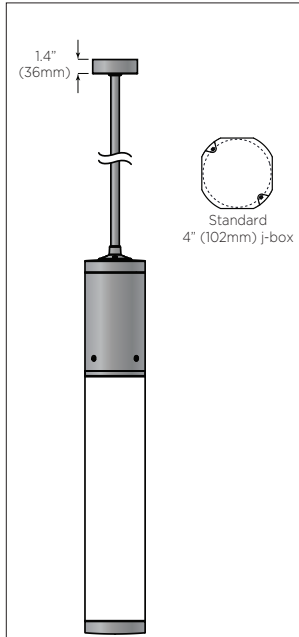
COLOR	R	G	B	W
CHANNEL	1	2	3	4

NOTE: Default factory settings.
Controller supplied by others.



CL622/CL642/CL672 SERIES LumiSTIK - LED

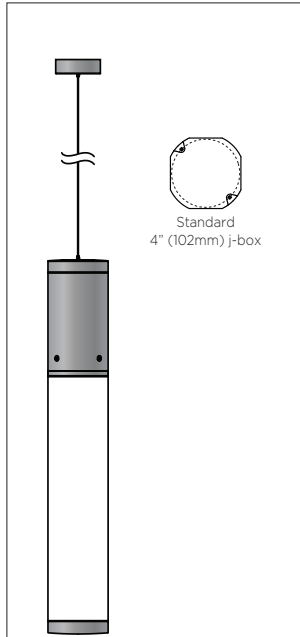
MOUNTING



STEM (STM)

Heavy duty 30° hang straight swivel, with Ø 4.5" (114mm) canopy and universal mounting plate.
Ø 7/8" x 36" (22mm x 914mm) suspension stem with aircraft safety cable.

Other lengths on request (specify STM with desired length).

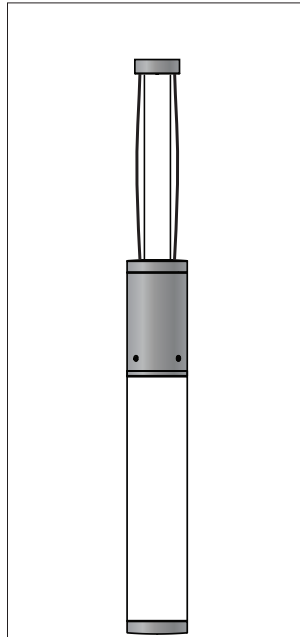


AIRCRAFT CABLE (SPG)

36" adjustable aircraft cable with silver braided power cable.

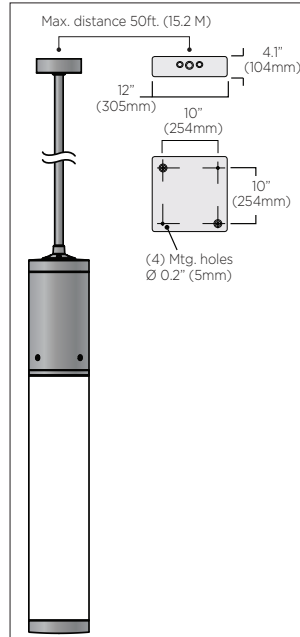
Other lengths on request (specify SPG with desired length).

Note: Spg option for indoor only.



DSPG

4/8 X 36" lg. silver braided power cable c/w 36" lg. gray DMX RS-485 cable. On site adjustable aircraft safety cable. Please add desired length with suffix.



REMOTE EMERGENCY (REML2-50)

7W Remote mount 120/277V emergency battery pack. Test switch provided within enclosure with 5" (127mm) leads.

Applicable for both STM and SPG options.

CL622
43" (1088) ⁵

CL642
67" (1697) ⁵

CL672
91" (2307) ⁵

CL622
18.7 lbs (8.5 kg)

CL642
22.3 lbs (10.1 kg)

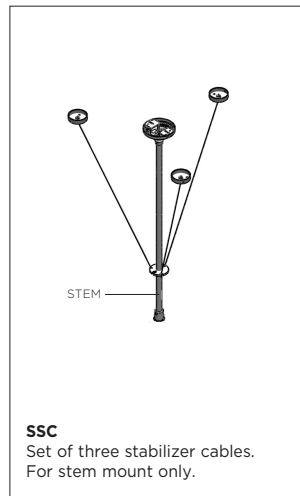
CL672
26 lbs (11.8 kg)

ANGLE ADJUSTMENT MECHANISM

Power cable in:
3 conductor x 14 gauge AWG. The 2 cable glands at the top can accommodate a cable ranging from 10mm - 14mm.

Control cable in:
The 2 cable glands on the bottom can accommodate a cable ranging from 6mm - 11mm.

CAT3
Cast aluminum catenary junction box with 4 sealed connectors by Lumis and pre-inserted into housing.
Ready to accept 1/4" or 1/2" stainless steel suspension cable.
(Structural design, power cable, control cable, stainless steel catenary cable, cable fittings, and fittings for mounting to support structure provided by others.)



CL622/CL642/CL672 SERIES LumiSTIK - LED

MOUNTING

CANOPY TOP VIEW

\varnothing 11" (287mm)
 1.5" (38mm)
 2" (50.8mm)
 3" (76.2mm)
 3.5" (88.9mm)
 6" (152.4mm)

Mounting points on ceiling (4x)
 Junction box (for reference)

NLTAIR2 (STM & SPG)
 \varnothing 11" canopy with nLight AIR Control gen2 and black antenna.

For the following light sources:
 L4L10, L4L20, L4L30, L4L40
 L8L20, L8L40
 L12L30

CANOPY TOP VIEW

\varnothing 15" (391mm)
 2.6" (66mm)
 11" (279mm)
 3" (76.2mm)

Junction box opening
 \varnothing 11" (279mm)
 (4) Mtg. holes \varnothing 0.3" (7.6mm)

NLTAIR2 (STM & SPG)
 \varnothing 15" canopy with nLight AIR Control gen2 and black antenna.

For the following light sources:
 L4L50
 L8L60, L8L80, L8L100
 L12L60, L12L90, L12L120

CL622/CL642/CL672 SERIES LumiSTIK - LED

RGBW DIMENSIONS

