



CL312/CL322/CL342 SERIES

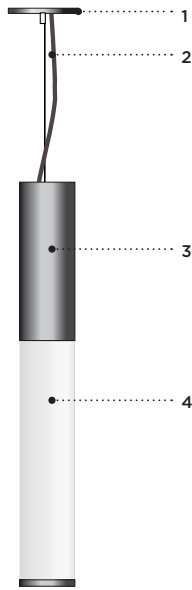
LumiSTIK - LED

3" PENDANT

TYPE: _____ QUANTITY: _____ PROJECT: _____

CATALOG NUMBER:

FIXTURE LED LIGHT SELECTION VOLTAGE FINISH OPTION OPTION OPTION OPTION



- 1- Ø 5.2" (132mm) ceiling mount canopy.
- 2- 36" lg. (914mm) silver braided power cord with aircraft safety cable. Other lengths available on request (specify SPG with desired length).
- 3- Ø 3" (76mm) seamless extruded aluminum housing for electrical components.
- 4- Ø 3" (76mm) white translucent high impact UV stabilized acrylic lens.

CL312/CL322/CL342



MATERIALS

LumiSTIK pendant is made of corrosion resistant 356 aluminum alloy with a copper (CU) content of less than 0.1%. LED is contained in a white UV stabilized high impact acrylic sealed cylinder. The assembly is designed to provide a uniform column illumination. LumiSTIK pendant is available with three standard acrylic lengths. Other lengths are available on request.

ELECTRICAL

DRIVER Standard driver is 0-10V dimming-ready (dims to 10%) with: 120-277 multi-volt compatibility (50-60Hz), operating temperatures of -30°C/-22°F to 60°C/140°F, output over voltage protection, output over current protection, output short circuit protection with auto-recovery. Driver for RGBW operating temperature range -40°C to +50°C/-4°F to +122°F

LED 3000K/3500K/4000K CCT with 80 CRI. Optional RGBW.

LIFE

50,000hrs L₈₀B₅₀ (based on IESNA TM-21 Test Method and LM-80 data).

FINISH

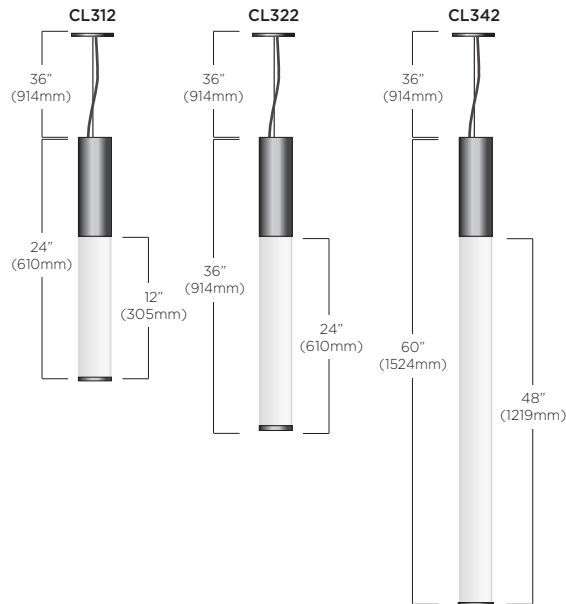
Five-stage preparation process includes preheating of cast aluminum parts for air extraction. Polyester powder coating is applied through an electrostatic process, and oven cured for long term finish.

CERTIFICATION

Tested to UL1598 and CSA 22.2 #250. ETL listed wet location. Photometric testing performed by an independent laboratory in accordance with IES LM-79-08 standards at 25°C. Lumen depreciation in accordance with IESNA LM80 standards. Rated IP65. The ceiling canopy is Damp location only.

MOUNTING

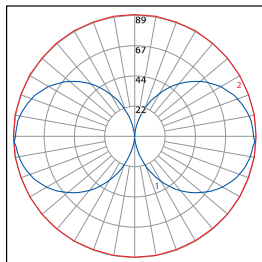
Weight: CL312: 4 lbs (1.9 kg), CL322: 5 lbs (2.3 kg), CL342: 7 lbs (3 kg)
Mounts on a standard 4" (102mm) octagonal electrical box with 3 1/2" (89mm) C/C mounting holes. Fixture must be installed on a finished ceiling for exterior applications and/or when exposed to inclement weather.



May 2021 Rev 0

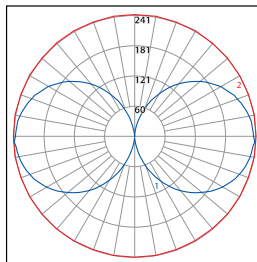
CL312/CL322/CL342 SERIES LumiSTIK - LED

TYPICAL PHOTOMETRY SUMMARY



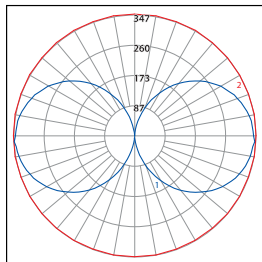
Descriptive Information

CL312-L4L8
Total Lms: 830 Lumens
Total Input Watts: 10 W
Efficacy: 83 Lumens/Watt
CCT/CRI: 4000K/80
Maximum Candela: 89 @ 0°H/87.5°V



Descriptive Information

CL322-L4L20
Total Lms: 2250 Lumens
Total Input Watts: 30 W
Efficacy: 75 Lumens/Watt
CCT/CRI: 4000K/80
Maximum Candela: 241 @ 0°H/87.5°V



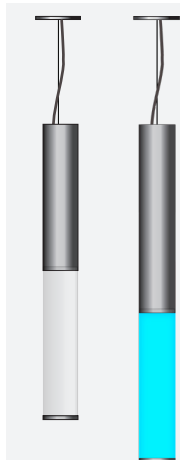
Descriptive Information

CL342-L8L30
Total Lms: 3240 Lumens
Total Input Watts: 40W
Efficacy: 81 Lumens/Watt
CCT/CRI: 4000K/80
Maximum Candela: 347 @ 0°H/87.5°V

Please visit our web site www.luminis.com for complete I.E.S. formatted download data.

LUMINAIRE SELECTION

1 MODEL#



- CL312
- CL322
- CL342

- CL312
- CL322
- CL342

RGBW

2 LED LIGHT SELECTION (4000K/80CRI)

	SUFFIX	DELIVERED LUMENS	INPUT WATTS
CL312	<input type="checkbox"/> L56W10	830	10
	<input type="checkbox"/> L112W10	830	10
CL322	<input type="checkbox"/> L112W20	1640	20
	<input type="checkbox"/> L112W30	2250	30
	<input type="checkbox"/> L224W20	1660	20
CL342	<input type="checkbox"/> L224W40	3240	40

RGBW SELECTION

	SUFFIX	DELIVERED LUMENS	INPUT WATTS	LM / FT
CL312	<input type="checkbox"/> L4RGBW	662	12	662
CL322	<input type="checkbox"/> L4RGBW	1325	24	662
CL342	<input type="checkbox"/> L8RGBW	2650	48	662

Note: Values are for total delivered lumens. For individual maximum output values, refer to page 4. White CCT is 4000K & 80CRI.

3 VOLTAGE¹

- 120V
- 277V

4 FINISH

STANDARD COLORS

- WHT Snow white
- BKT Jet black
- BZT Bronze
- MST Matte silver
- GRT Titanium gray
- DGT Gun metal
- CHT Champagne
- SGT Steel gray
- BGT English cream

(Refer to color chart)

OPTIONAL COLORS

- CS Custom color
 - RAL RAL# color
 - MG Marine Grade³
- (Ensure to also select the standard color)

CL312/CL322/CL342 SERIES LumiSTIK - LED

OPTIONS

ELECTRICAL

- FS** Fuse
- SP** Surge protector 10KV
- REML2-50** 7W remote emergency battery backup for LED, 90 min. Remote mount 50ft - 12" square enclosure with access cover²

NOTES

- 1- If no voltage is specified, luminaires are factory prewired by default for 120V. For other voltages, please specify with catalog number, or consult factory.
- 2- The remote enclosure must be interior.
- 3- Marine grade paint for harsh, coastal environment and exposure to salt water. Additional delay required please contact factory for info.
- 4- OAH increases by 5" for RGBW models. See page 4 for details.
- 5- RGBW not available with REML2-50, SPG, STM.
- 6- DSPG is for RGBW only.

MOUNTING

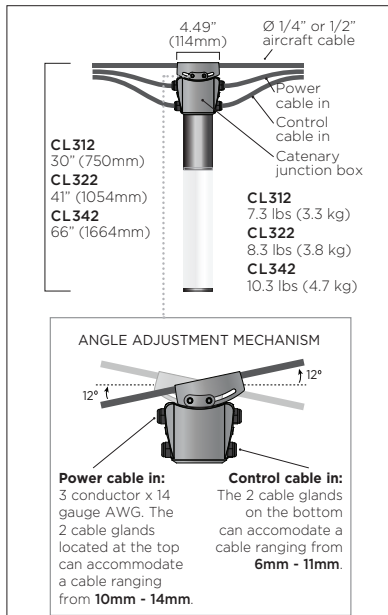
- CAT3** Catenary suspension attachment with 12° adjustment mechanism
- SPG** Longer silver braided power cord. Please add length with option suffix.
- STM** Field cuttable 36" stem with adjustable aircraft safety cable. (Other lengths available, please specify)
- DSPG** 36" silver braided power cord and gray DMX485 cable. (Other lengths available, please specify).⁶

CCT & CRI

Alternate CCT °K LED (LCF: Lumen conversion factor)

- K3** 3000K CCT 80 CRI (LCF: 0.94) NOTE: Other CCT & higher CRI available, please consult factory.
- K35** 3500K CCT 80 CRI (LCF: 0.98)
- K4** 4000K CCT 80 CRI (LCF: 1.00)

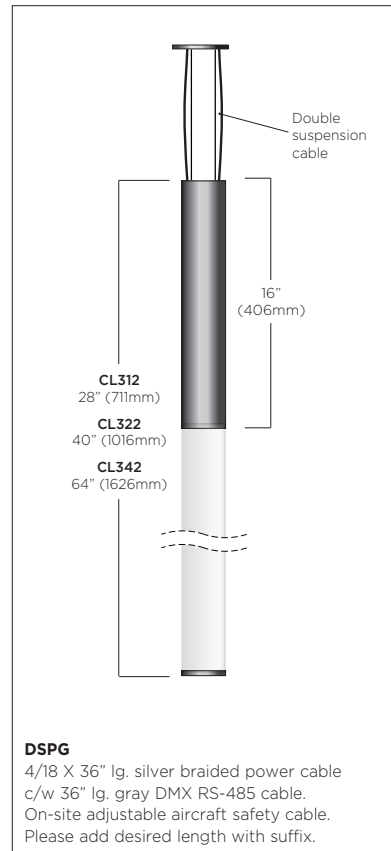
CATENARY SUSPENSION



CAT3

Cast aluminum catenary junction box with 4 sealed connectors by Luminis and pre-inserted into housing. Ready to accept 1/4" or 1/2" stainless steel suspension cable. (Structural design, power cable, control cable, stainless steel catenary cable, cable fittings, and fittings for mounting to support structure provided by others.)

RGBW MODELS



CL312/CL322/CL342 SERIES LumiSTIK - LED

RGBW DETAILS

RGBW

Total delivered lumens⁵

	Maximum output values								
	WHITE 4000K			TOT RGB			TOT		
	W	lm	lm/ft	W	lm	lm/ft	W	lm	lm/ft
CL312	3	374	374	9	288	288	12	662	662
CL322	6	749	374	18	576	288	24	1325	662
CL342	12	1497	374	36	1153	288	48	2650	662

This option is not RDM. For the desired DMX addresses, the client needs to fill a separate form to provide channel addresses.
If not communicated by the client, the fixtures will be labeled and delivered with a start address at DMX1, with an increment of 4.
Fixture #1 will be on address 1, fixture #2 will be on address 5, fixture #3 will be on address 9, etc.

RGBW DIMENSIONS

