

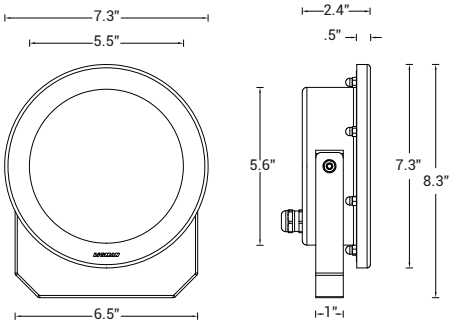
# UFUN-50032

## Funen 4 Underwater Luminaire (Constant Voltage)



**RGBW**

36w LED - 1929 Lumens  
IP68 • Suitable For Wet Locations  
IK07 • Impact Resistant (Vandal Resistant)  
Weight 5.3 lbs



### Construction

**Luminaire Housing & Bracket**  
Marine grade 316 Stainless steel.

**Memory Retentive -Silicon Gasket**  
Provided with special injection molded "fit for purpose" long life high temperature memory retentive silicon gaskets. Maintains the gaskets exact profile and seal over years of use and compression.

**Thermal management**  
LM6 Aluminum is used for its excellent mechanical strength and thermal dissipation properties in low and high ambient temperatures. The superior thermal heat sink design by Ligman used in conjunction with the driver, controls thermals below critical temperature range to ensure maximum luminous flux output, as well as providing long LED service life and ensuring less than 10% lumen depreciation at 50,000 hours.

**Surge Suppression**  
Standard 10kv surge suppressor provided with all fixtures.

**Hardware**  
Provided Hardware is Marine grade 316 Stainless steel.

**Crystal Clear Low Iron Glass Lens**  
Provided with tempered, impact resistant crystal clear low iron glass ensuring no green glass tinge.

**Optics & LED**  
Precise optic design provides exceptional light control and precise distribution of light. LED CRI > 80

**Lumen - Maintenance Life**  
L80 /B10 at 50,000 hours (This means that at least 90% of the LED still achieve 80% of their original flux)

Maximum Delivered Output Lumens 1929  
(RGBW 4000K output, Narrow Beam)

**High performing adjustable, surface mounted underwater spotlight range. The complete professional underwater system offering RGBW options and extensive source and optic combinations.**

A high powered compact surface mounted LED underwater projector for lighting small ponds, waterfalls and water jets. The floodlight must be submerged when operating. Stainless steel grade 316 body, stainless steel screws. Cable entry PG.11 cable gland supplied with 7ft of outdoor submersible #18/3 SOOW 600v power cable. Durable high temperature memory retentive silicon gasket and clear tempered vandal resistant glass. Remote 24v constant voltage driver required to be installed by others. Driver output voltage to be determined depending on quantity of luminaires connected in parallel.

Color temperature 2700K, 3000K, 3500K and 4000K, LED CRI >80 and life time 50,000 Hours.

A variety of beam spreads are available to suit the application requirements. Maximum depth 5'. Suitable for recessed mount. Recessing box in PVC is included.

Remote driver is included and required to be installed by others. Remote IP gear box by contractor. This luminaire is constant voltage and needs connecting in parallel.

### Additional Options (Consult Factory For Pricing)



A80191  
3" x 10" Remote Enclosure Box


A80291  
4" x 10" Remote Enclosure Box



A5251  
Honeycomb Louvre

### Mounting Detail



	Project 21-12877-3 Date 6/25/2021 RGB/W   Saturated Color	Catalog Number UFUN-50032 36W VW RGBW30 120/277	Type
	Submitted By 16500, INC	Notes	

# UFUN-50032

Funen 4 Underwater Luminaire (Constant Voltage)



<b>PROJECT</b>	<input type="text"/>	<b>DATE</b>	<input type="text"/>
----------------	----------------------	-------------	----------------------

<b>QUANTITY</b>	<input type="text"/>	<b>TYPE</b>	<input type="text"/>	<b>NOTE</b>	<input type="text"/>
-----------------	----------------------	-------------	----------------------	-------------	----------------------

ORDERING EXAMPLE || UFUN- 50032 - 36w - W - RGBW30 - 120/277v

<b>UFUN-50032</b>	<input type="text"/>	<input type="text"/>	<input type="text"/>	<input type="text"/>
	<b>LAMP</b>	<b>BEAM</b>	<b>RGBW COLOR</b>	<b>VOLTAGE</b>
	36w LED 1929 Lumens	N - Narrow 8" M - Medium 17" W - Wide 26" VW - Very Wide 65" E - Elliptical 43" x 11"	RGBW30 - Warm White 3200K RGBW40 - Neutral White 4000K RGBW65 - Cool White 6850K	120/277v Other - Specify

<input type="text"/>	<input type="text"/>	<input type="text"/>	<input type="text"/>
----------------------	----------------------	----------------------	----------------------

## ADDITIONAL OPTIONS

- A80191 - 3"x10" Remote Driver Enclosure Box
- A80291 - 4"x10" Remote Driver Enclosure Box
- A52221 - Honeycomb Louvre
- CBL - Custom Cable Length [Specify]

