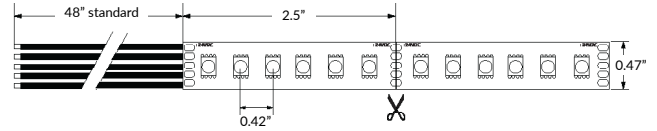
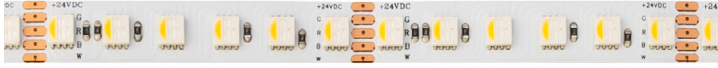




TIGHT PITCH COLOR CHANGING RGBW LED TAPELIGHT - IP20



TECHNICAL INFORMATION

NOTE: All data has +/- 5% tolerance.

| | | | | |
|------------------|---|-----------|-------------------|-----------|
| WATTAGE | 7.0W per foot | | | |
| IP RATING | IP20 - dry locations | | | |
| OUTPUT | RGB30K | RGB60K | | |
| | RGBW | 335 lm/ft | RGBW | 396 lm/ft |
| | Red (620-625nm) | 62 lm/ft | Red (620-625nm) | 62 lm/ft |
| | Green (520-525nm) | 93 lm/ft | Green (520-525nm) | 96 lm/ft |
| | Blue (465-470nm) | 24 lm/ft | Blue (465-470nm) | 24 lm/ft |
| | 3000K | 156 lm/ft | 6000K | 217 lm/ft |
| INPUT VOLTAGE | 24VDC | | | |
| CRI | 80+ | | | |
| CUT LENGTH | Every 2.5", or every 6 LEDs | | | |
| MAXIMUM RUN | 28 feet | | | |
| DIMENSIONS | 0.47" W x 0.08" H (12mm x 2.0mm) | | | |
| ADHESIVE BACKING | Yes - VHB | | | |
| LIFESPAN | 50,000 hrs | | | |
| WARRANTY | 5 year limited | | | |
| POWER SUPPLY | Compatible with LLI-PS-UDEFF dimmable LED power supplies -- see power supply section of website | | | |

CONNECTOR OPTIONS (SOLD SEPARATELY)

Use Layout Guide on page 3 to specify factory-assembled connections.
Not compatible with connectors.

MOUNTING OPTIONS (SOLD SEPARATELY)



ARCHITECTURAL EXTRUSIONS
(see website, llilighting.com)



TAPE MOUNTING CLIP
(sold in packs of 10)

LLI-TAPE-CLIPS-12MM

PART NUMBER BUILDER / ORDERING GUIDE

Example part number: LLI-LCCW7.0W-20-R30-24V-80-96IN

If a custom, pre-assembled layout is desired, please use the layout guide on page 3 to specify a layout code

| | | | | | |
|--------------|-----------|-------|---------|-----|--------------------------------------|
| SERIES | IP RATING | COLOR | VOLTAGE | CRI | LENGTH |
| LLI-LCCW7.0W | 20 | | 24V | 80 | |
| | | R30 | | | (enter length in inches, up to 336") |
| | | R60 | | | |

TIGHT PITCH COLOR CHANGING RGBW LED TAPELIGHT - IP20

OVERALL LENGTH / CUT POINT GUIDE

| | | | | | | | | | | | |
|--------|--------|--------|--------|--------|--------|--------|--------|--------|--------|--------|--------|
| 2.5" | 4.9" | 7.4" | 9.8" | 12.3" | 14.8" | 17.2" | 19.7" | 22.1" | 24.6" | 27.1" | 29.5" |
| 32.0" | 34.4" | 36.9" | 39.4" | 41.8" | 44.3" | 46.8" | 49.2" | 51.7" | 54.1" | 56.6" | 59.1" |
| 61.5" | 64.0" | 66.4" | 68.9" | 71.4" | 73.8" | 76.3" | 78.7" | 81.2" | 83.7" | 86.1" | 88.6" |
| 91.0" | 93.5" | 96.0" | 98.4" | 100.9" | 103.3" | 105.8" | 108.3" | 110.7" | 113.2" | 115.6" | 118.1" |
| 120.6" | 123.0" | 125.5" | 128.0" | 130.4" | 132.9" | 135.3" | 137.8" | 140.3" | 142.7" | 145.2" | 147.6" |
| 150.1" | 152.6" | 155.0" | 157.5" | 159.9" | 162.4" | 164.9" | 167.3" | 169.8" | 172.2" | 174.7" | 177.2" |
| 179.6" | 182.1" | 184.5" | 187.0" | 189.5" | 191.9" | 194.4" | 196.9" | 199.3" | 201.8" | 204.2" | 206.7" |
| 209.2" | 211.6" | 214.1" | 216.5" | 219.0" | 221.5" | 223.9" | 226.4" | 228.8" | 231.3" | 233.8" | 236.2" |
| 238.7" | 241.1" | 243.6" | 246.1" | 248.5" | 251.0" | 253.4" | 255.9" | 258.4" | 260.8" | 263.3" | 265.7" |
| 268.2" | 270.7" | 273.1" | 275.6" | 278.1" | 280.5" | 283.0" | 285.4" | 287.9" | 290.4" | 292.8" | 295.3" |
| 297.7" | 300.2" | 302.7" | 305.1" | 307.6" | 310.0" | 312.5" | 315.0" | 317.4" | 319.9" | 322.3" | 324.8" |
| 327.3" | 329.7" | 332.2" | 334.6" | | | | | | | | |

TIGHT PITCH COLOR CHANGING RGBW LED TAPELIGHT - IP20

LAYOUT GUIDE

Example ordering code with layout code:

LLI-LCCW7.0W-20-R30-24V-80-149IN, P48-L96-J3-L48-J3-L96-J3-L48

↑
LED ORDER CODE

↑
LAYOUT CODE

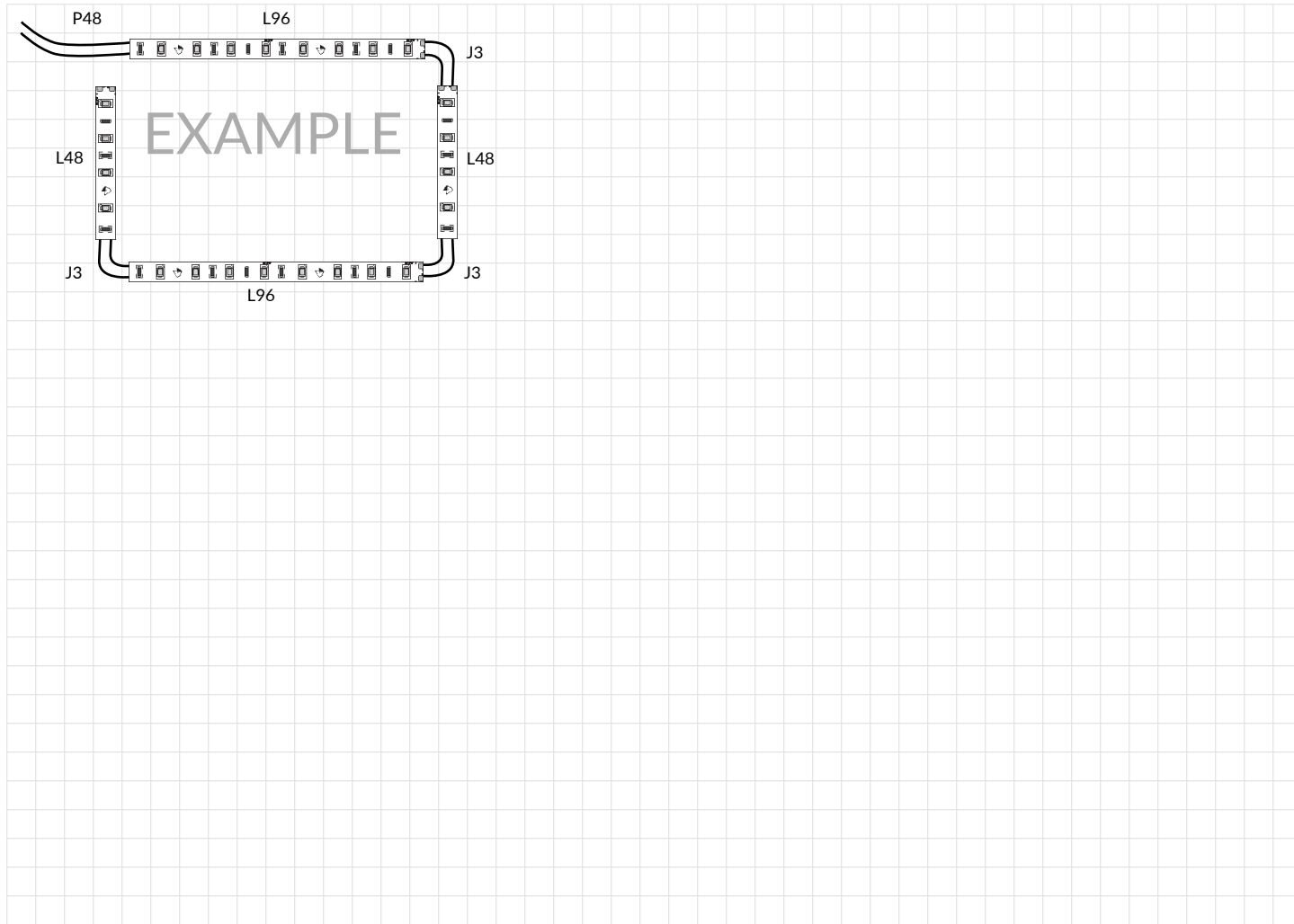
CODE LEGEND:

P - Power Feed Wire

L - LED Tapelight

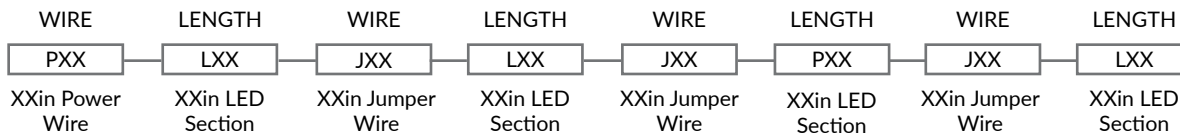
J - Jumper Wire for Interconnecting

The grid below is provided for you to sketch your layout, if desired. The layout code above corresponds to the example layout shown.



LAYOUT CODE BUILDER:

(Repeat "wire" and "length" codes as needed until entire layout is specified.)



** Customers must include a layout code with the LED order code if a custom, pre-assembled layout is desired**

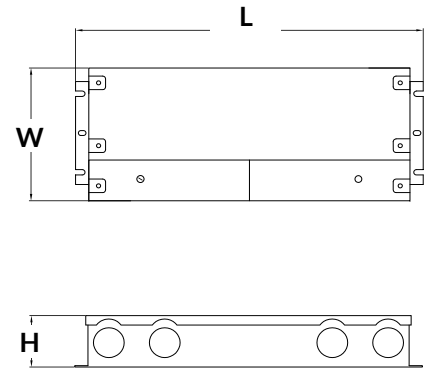
TIGHT PITCH COLOR CHANGING RGBW LED TAPELIGHT - IP20

POWER SUPPLY (SOLD SEPARATELY)

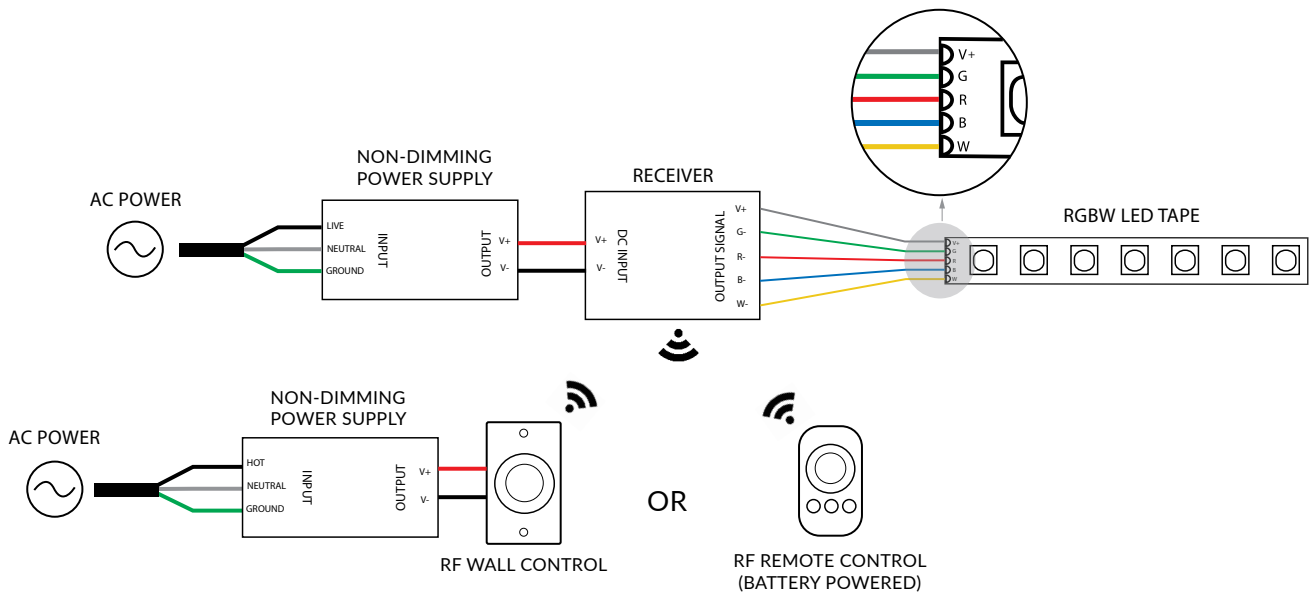
NON-DIMMABLE ELECTRONIC



| PART NUMBER | CAPACITY | OUTPUT | CLASS | LOCATION | L | W | H |
|------------------------|----------|--------|---------|----------|-------|------|-------|
| LLI-PS-NDE-030W-24V-KO | 30W | 24V | CLASS 2 | WET | 6.5" | 3.5" | 1.02" |
| LLI-PS-NDE-060W-24V-KO | 60W | 24V | CLASS 2 | WET | 7.4" | 3.5" | 1.2" |
| LLI-PS-NDE-096W-24V-KO | 96W | 24V | CLASS 2 | WET | 8.7" | 3.7" | 1.7" |
| LLI-PS-NDE-200W-24V-KO | 200W | 24V | CLASS 1 | WET | 10.3" | 4.1" | 1.8" |
| LLI-PS-NDE-300W-24V-KO | 300W | 24V | CLASS 1 | WET | 10.9" | 4.3" | 1.8" |



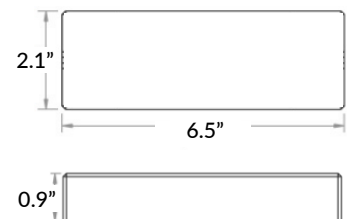
EXAMPLE WIRING DIAGRAM - RF CONTROLLED



RF RECEIVER (SOLD SEPARATELY)

LLI-C-RCV-UR-RF-4CH

| | |
|--------------------------|---|
| CONTROLLER COMPATIBILITY | Compatible with all RF LLI-C-CTRL controllers. |
| LED COMPATIBILITY | Static Color, Tunable White & RGB(W) LEDs |
| CHANNELS | 4 Channel, 8 Amp |
| INPUT VOLTAGE | 12V / 24V (power supply not included) |
| CAPACITY | 12V - 96W, 24V - 192W |
| FEATURES | Can be controlled by up to (8) controllers Can be synchronized with unlimited receivers up to 320ft away |



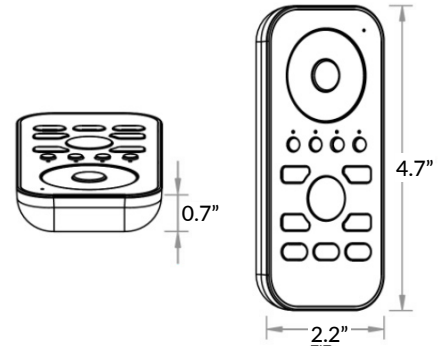
TIGHT PITCH COLOR CHANGING RGBW LED TAPELIGHT - IP20

RF CONTROLLERS (SOLD SEPARATELY)

REMOTE CONTROLLER

LLI-C-CTRL-RGBW-HH

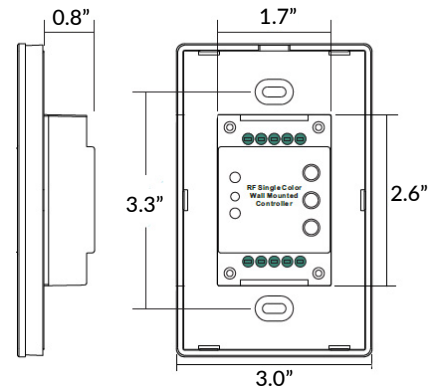
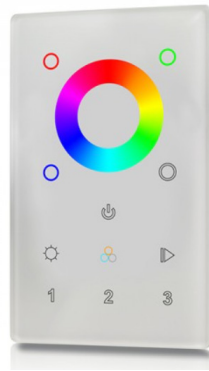
| | |
|------------------------|--|
| RECEIVER COMPATIBILITY | Compatible with Universal RF receivers |
| LED COMPATIBILITY | RGB(W) LEDs |
| INPUT VOLTAGE | Battery operated (3 AAA batteries not included) |
| FEATURES | Programmable up to 4 zones, 3 scenes Color adjustment Light intensity adjustment |



TOUCH PANEL WALL CONTROLLER

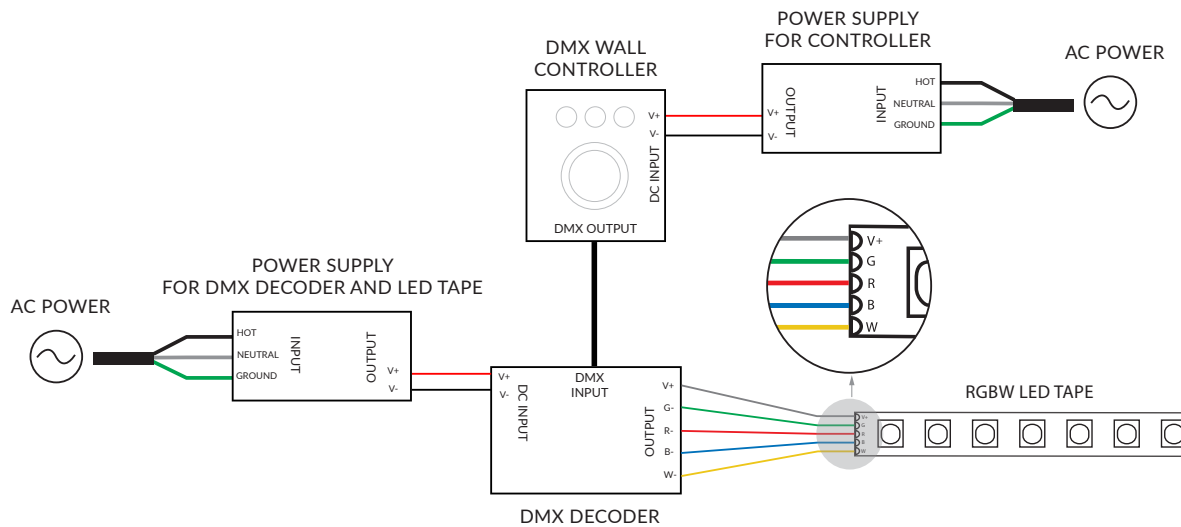
LLI-C-CTRL-RGBW-TP-WH

| | |
|------------------------|---|
| RECEIVER COMPATIBILITY | Compatible with Universal RF receivers |
| LED COMPATIBILITY | RGB(W) LEDs |
| INPUT VOLTAGE | 12V DC power supply required (not included) |
| FEATURES | Control range \geq 65ft Programmable up to 3 scenes 4 color presets Color adjustment Light intensity adjustment |



TIGHT PITCH COLOR CHANGING RGBW LED TAPELIGHT - IP20

EXAMPLE WIRING DIAGRAM - DMX CONTROLLED

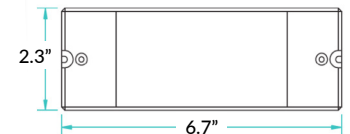


DMX DECODERS (SOLD SEPARATELY)

DMX512 DECODER

LLI-C-DEC-DMX512-8A

| | |
|-----------------|---|
| LOCATION RATING | Indoor only |
| FUNCTION | Static color, tunable white, RGB(W) LEDs |
| CHANNELS | 4 channel output, 8 Amp maximum 512 addressable DMX channels |
| CAPACITY | 12V - 96W maximum 24V - 192W maximum |
| COMPATIBILITY | Compatible with LLI-C-CTRL-DMX controllers |



POWER

Power supply not included. 12V/24V non-dimming power supply required.

RDM DMX512 DECODER

LLI-C-DEC-DMX512-8A-RDM

| | |
|-----------------|--|
| OUTPUT | 8A maximum, 4 channels |
| LOCATION RATING | Indoor only |
| FUNCTION | RDM communication and PWM dimming for static white, static color, tunable white, and RGB(W) LEDs |
| CHANNELS | 4 channel output, 8 Amp maximum 512 addressable DMX channels |
| CAPACITY | 12V - 96W maximum 24V - 192W maximum |
| COMPATIBILITY | Compatible with LLI-C-CTRL-DMX controllers |

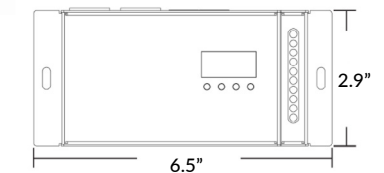


FEATURES

Can be controlled by up to eight (8) controllers. Can be synchronized with twenty (20) decoders.

POWER

Power supply not included. 12V/24V non-dimming power supply required.



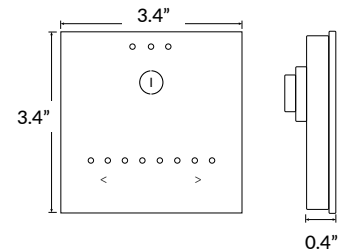
TIGHT PITCH COLOR CHANGING RGBW LED TAPELIGHT - IP20

DMX WALL CONTROLLERS (SOLD SEPARATELY)

STAND ALONE DMX WALL CONTROLLER, GU2

LLI-C-CTRL-DMX-STICK-GU2

| | |
|--------------------------|--|
| INCLUDED IN PACKAGE | Controller, CD-ROM, USB cable, connector block, power supply |
| OS/COMPUTER REQUIREMENTS | Mac OSx 10.6 or higher / Windows XP or higher, USB 2.0 port |
| PROGRAM SOFTWARE | Easy Stand Alone, ESA2 (included) |
| CONNECTIONS | Power (2 pins), DMX (3 pins), Port (2 pins), Micro-USB Port |
| MOUNTING | Single or double gang wall box |
| IP RATING | IP20 - dry locations only |



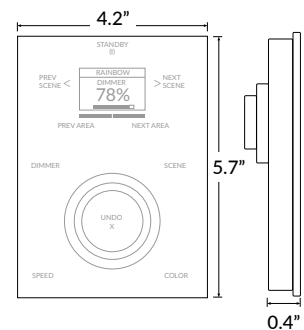
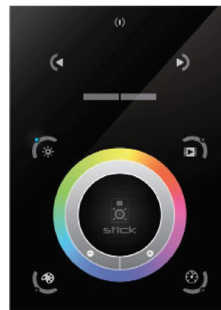
FEATURES

- Up to 24 dynamic or static scenes
- Wall mounted control panel with glass face, touch-sensitive buttons
- Programmable with included USB cable and software – no Ethernet or WiFi required

STAND ALONE DMX WALL CONTROLLER, DE3

LLI-C-CTRL-DMX-STICK-DE3

| | |
|--------------------------|---|
| INCLUDED IN PACKAGE | Controller, connector block, power supply |
| OS/COMPUTER REQUIREMENTS | Mac OSx 10.6 or higher / Windows XP or higher / iOS phone or tablet / Android phone or tablet |
| PROGRAM SOFTWARE | Easy Stand Alone, ESA2 (Mac/Windows) DMX Lightpad 3 App (iOS/Android) Easy Remote App (iOS/Android) |
| CONNECTIONS | Power/DMX - screw terminal and RJ45 compatible Memory - MicroSD slot Programming - MicroUSB port |
| POWER SUPPLY | 6VDC power supply (included) |
| MEMORY | MicroSD card (not included) |
| MOUNTING | Single or double gang wall box |
| IP RATING | IP20 - dry locations only |



FEATURES

- Multi-zone microSD memory
- Multi-room control with 500 scenes, 10 zones
- Integrated clock and calendar for scheduling events
- Touch-sensitive buttons
- USB and Ethernet connectivity for programming
- Windows/Mac software for programming dynamic effects
- iPhone/iPad/Android apps for remote control and program

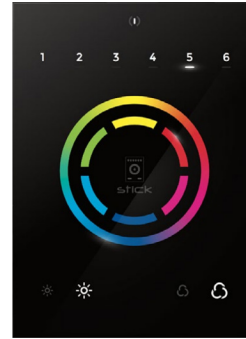
TIGHT PITCH COLOR CHANGING RGBW LED TAPELIGHT - IP20

DMX WALL CONTROLLERS (SOLD SEPARATELY)

STAND ALONE DMX WALL CONTROLLER, CW4

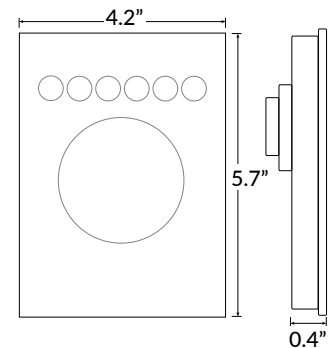
| | |
|---------------------------------|---|
| LLI-C-CTRL-DMX-STICK-CW4 | FINISH |
| | <p>BL Black glass</p> <p>WH White glass</p> |

| | |
|--------------------------|---|
| INCLUDED IN PACKAGE | Controller, connector block, power supply, mini-USB cable, ESA2 software, ESA Pro2 Software |
| OS/COMPUTER REQUIREMENTS | Mac OSx 10.6 or higher / Windows XP or higher |
| PROGRAM SOFTWARE | Easy Stand Alone, ESA2 (Mac/Windows) |
| CONNECTIONS | Power/DMX - screw terminal and RJ45 Programming - miniUSB port |
| POWER SUPPLY | Requires 5-10VDC 0.6A power supply (included) |
| MEMORY | Integrated flash memory |
| MOUNTING | Single or double gang wall box |
| IP RATING | IP20 - dry locations only |



FEATURES

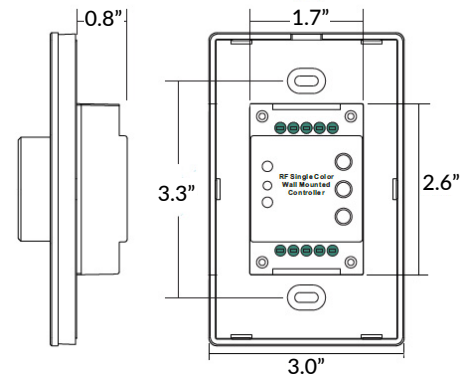
- Can be controlled directly from a computer, smartphone, or tablet
- Touch-sensitive buttons, glass face
- Up to 36 dynamic or static scenes
- 8 port triggers
- 1024 DMX channels control up to 340 RGB fixtures
- Windows/Mac software for programming dynamic effects
- Internal clock and calendar with sunrise/sunset triggering



TOUCH PANEL DMX WALL CONTROLLER

LLI-C-CTRL-DMX-RGBW-TP

| | |
|------------------------|-------------------------------------|
| LED TAPE COMPATIBILITY | Compatible with 12-24V DC LED tapes |
| PROTOCOL | DMX512 |
| ZONES | 3 zones |
| INTERFACE | Glass touch control |
| WARRANTY | 5 year limited |



POWER

Power supply for controller not included.
12V DC power supply required.