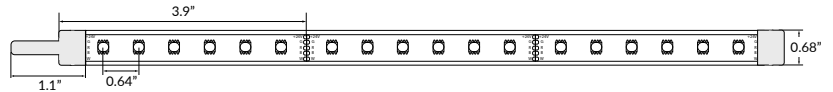
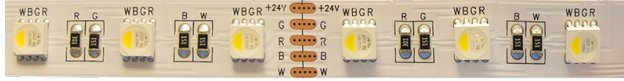




COLOR CHANGING RGBW 5.8W LED TAPELIGHT - IP68



TECHNICAL INFORMATION

NOTE: All data has +/- 5% tolerance.

WATTAGE	5.8W per foot	
IP RATING	IP68 - wet locations. Protected against temporary submersion, limited protection against harsh environments.	
OUTPUT	RGBW 234 lm/ft Red (620-625nm) 18 lm/ft Green (520-525nm) 49 lm/ft Blue (465-470nm) 10 lm/ft 3000K 145 lm/ft	RGBW 247 lm/ft Red (620-625nm) 18 lm/ft Green (520-525nm) 49 lm/ft Blue (465-470nm) 10 lm/ft 6000K 193 lm/ft
INPUT VOLTAGE	24VDC	
CRI	80+	
CUT LENGTH	Every 3.9", or every 6 LEDs	
MAXIMUM RUN	32 feet	
DIMENSIONS	0.67" W x 0.35" H (17mm x 9mm)	
ADHESIVE BACKING	Yes - VHB	
LIFESPAN	50,000 hrs	
WARRANTY	3 year limited	
POWER SUPPLY	Compatible with all 24VDC non-dimming power supplies -- see page 4	

CONNECTOR OPTIONS (SOLD SEPARATELY)

Not compatible with connectors – must be fabricated to specification by factory. Use Layout Guide on page 3 to specify factory-assembled connections.

MOUNTING OPTIONS (SOLD SEPARATELY)



ARCHITECTURAL EXTRUSIONS
(see website, llilighting.com)

PART NUMBER BUILDER / ORDERING GUIDE

Example part number: LLI-LCCW5.8W-68-R30-24V-80-63in

If a custom, pre-assembled layout is desired, please use the layout guide on page 3 to specify a layout code

SERIES	IP RATING	COLOR	VOLTAGE	CRI	LENGTH
LLI-LCCW5.8W	68	<input type="text"/>	24V	80	<input type="text"/>
		R30			(enter length in inches, up to 384")
		R60			

COLOR CHANGING RGBW 5.8W LED TAPE - IP68

OVERALL LENGTH / CUT POINT GUIDE

4 7/8"	8 7/8"	12 3/4"	16 3/4"	20 3/4"	24 5/8"	28 5/8"	32 1/2"	36 3/8"	40 3/8"	44 1/4"	48 1/4"
52 1/4"	56 1/8"	60 1/8"	64"	67 7/8"	71 7/8"	75 3/4"	79 3/4"	83 3/4"	87 5/8"	91 5/8"	95 1/2"
99 3/8"	103 3/8"	107 1/4"	111 1/4"	115 1/4"	119 1/8"	123"	127"	130 7/8"	134 7/8"	138 3/4"	142 3/4"
146 3/4"	150 5/8"	154 1/2"	158 1/2"	162 3/8"	166 3/8"	170 1/4"	174 1/4"	178 1/4"	182 1/8"	186"	190"
193 7/8"	197 7/8"	201 3/4"	205 3/4"	209 3/4"	213 5/8"	217 1/2"	221 1/2"	225 3/8"	229 1/4"	233 1/4"	237 1/4"
241 1/4"	245 1/8"	249"	253"	256 7/8"	260 3/4"	264 3/4"	268 3/4"	272 3/4"	276 5/8"	280 1/2"	284 1/2"
288 3/8"	292 1/4"	296 1/4"	300 1/4"	304 1/8"	308 1/8"	312"	317"	319 7/8"	323 3/4"	327 3/4"	331 3/4"
335 5/8"	339 5/8"	343 1/2"	347 1/2"	351 3/8"	355 1/4"	359 1/4"	363 1/4"	367 1/8"	371 1/8"	375"	379"
382 7/8"	386 3/4"										

COLOR CHANGING RGBW 5.8W LED TAPELIGHT - IP68

LAYOUT GUIDE

Example ordering code with layout code:

LLI-LCCW5.8W-68-R30-24V-80-288IN, P48-L96-J3-L48-J3-L96-J3-L48

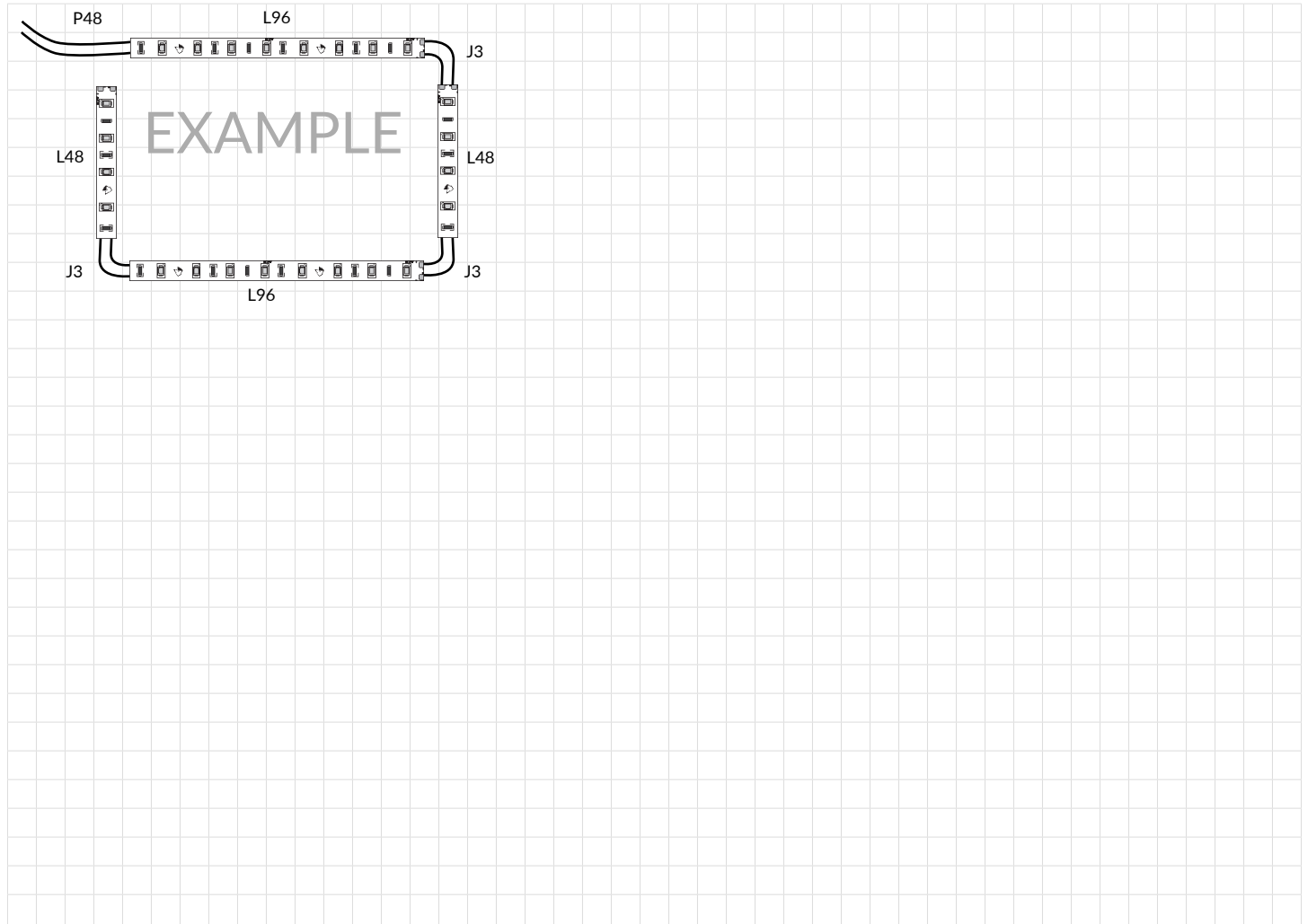
↑
LED ORDER CODE

↑
LAYOUT CODE

CODE LEGEND:

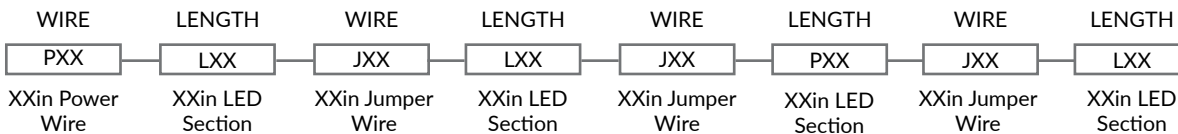
- P - Power Feed Wire
- L - LED Tapelight
- J - Jumper Wire for Interconnecting

The grid below is provided for you to sketch your layout, if desired. The layout code above corresponds to the example layout shown.



LAYOUT CODE BUILDER:

(Repeat "wire" and "length" codes as needed until entire layout is specified.)



** Customers must include a layout code with the LED order code if a custom, pre-assembled layout is desired**

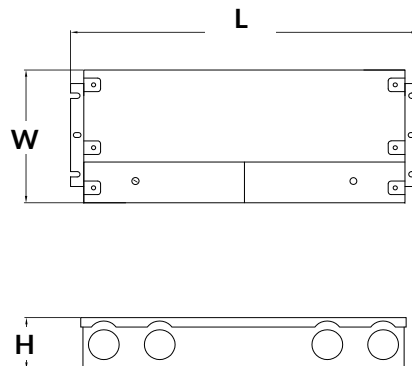
COLOR CHANGING RGBW 5.8W LED TAPELIGHT - IP68

POWER SUPPLY (SOLD SEPARATELY)

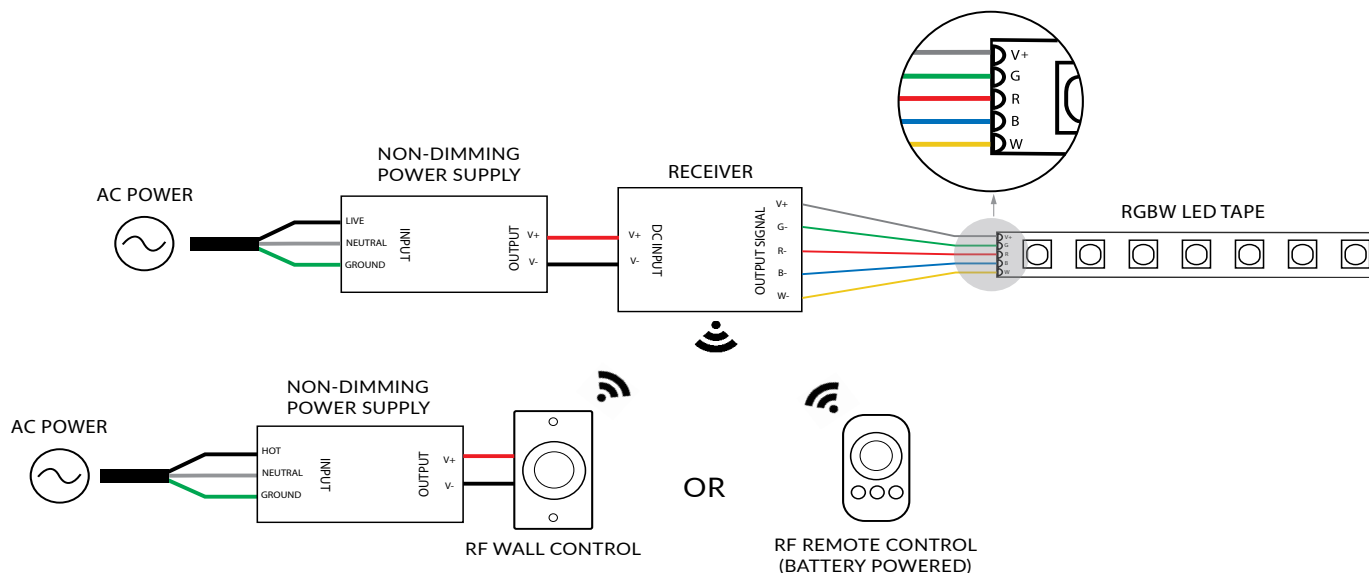
NON-DIMMABLE ELECTRONIC



PART NUMBER	CAPACITY	OUTPUT	CLASS	LOCATION	L	W	H
LLI-PS-NDE-030W-24V-KO	30W	24V	CLASS 2	WET	6.5"	3.5"	1.02"
LLI-PS-NDE-060W-24V-KO	60W	24V	CLASS 2	WET	7.4"	3.5"	1.2"
LLI-PS-NDE-096W-24V-KO	96W	24V	CLASS 2	WET	8.7"	3.7"	1.7"
LLI-PS-NDE-200W-24V-KO	200W	24V	CLASS 1	WET	10.3"	4.1"	1.8"
LLI-PS-NDE-300W-24V-KO	300W	24V	CLASS 1	WET	10.9"	4.3"	1.8"



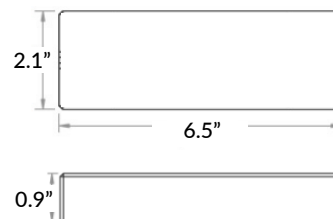
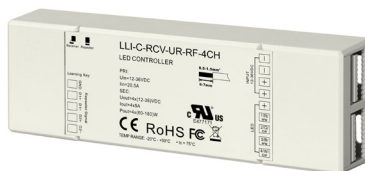
EXAMPLE WIRING DIAGRAM - RF CONTROLLED



RF RECEIVER (SOLD SEPARATELY)

LLI-C-RCV-UR-RF-4CH

CONTROLLER COMPATIBILITY	Compatible with all RF LLI-C-CTRL controllers.
LED COMPATIBILITY	Static Color, Tunable White & RGB(W) LEDs
CHANNELS	4 Channel, 8 Amp
INPUT VOLTAGE	12V / 24V (power supply not included)
CAPACITY	12V - 96W, 24V - 192W
FEATURES	Can be controlled by up to (8) controllers Can be synchronized with unlimited receivers up to 320ft away



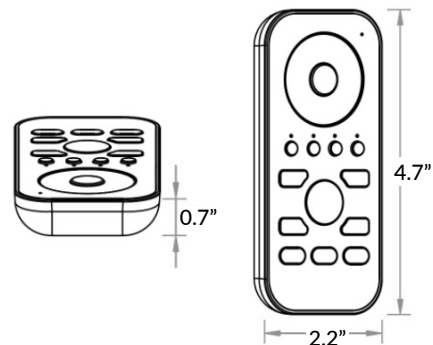
COLOR CHANGING RGBW 5.8W LED TAPELIGHT - IP68

RF CONTROLLERS (SOLD SEPARATELY)

REMOTE CONTROLLER

LLI-C-CTRL-RGBW-HH

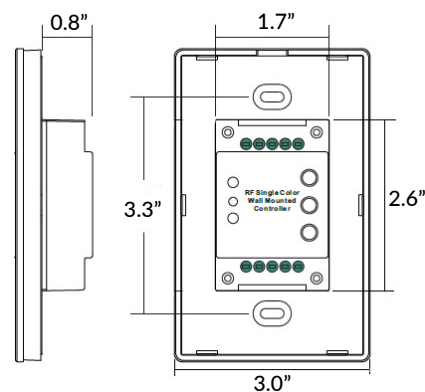
RECEIVER COMPATIBILITY	Compatible with Universal RF receivers
LED COMPATIBILITY	RGB(W) LEDs
INPUT VOLTAGE	Battery operated (3 AAA batteries not included)
FEATURES	Programmable up to 4 zones, 3 scenes Color adjustment Light intensity adjustment



TOUCH PANEL WALL CONTROLLER

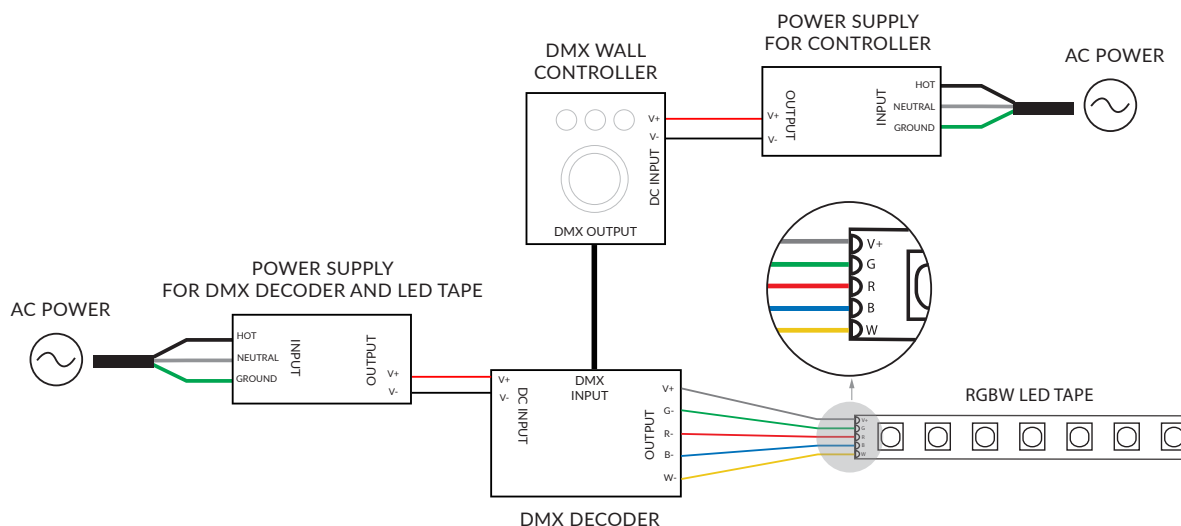
LLI-C-CTRL-RGBW-TP-WH

RECEIVER COMPATIBILITY	Compatible with Universal RF receivers
LED COMPATIBILITY	RGB(W) LEDs
INPUT VOLTAGE	12V DC power supply required (not included)
FEATURES	Control range \geq 65ft Programmable up to 3 scenes 4 color presets Color adjustment Light intensity adjustment



COLOR CHANGING RGBW 5.8W LED TAPELIGHT - IP68

EXAMPLE WIRING DIAGRAM - DMX CONTROLLED

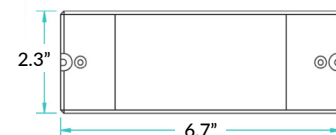


DMX DECODERS (SOLD SEPARATELY)

DMX512 DECODER

LLI-C-DEC-DMX512-8A

LOCATION RATING	Indoor only
FUNCTION	Static color, tunable white, RGB(W) LEDs
CHANNELS	4 channel output, 8 Amp maximum 512 addressable DMX channels
CAPACITY	12V - 96W maximum 24V - 192W maximum
COMPATIBILITY	Compatible with LLI-C-CTRL-DMX controllers



POWER

Power supply not included. 12V/24V non-dimming power supply required.



RDM DMX512 DECODER

LLI-C-DEC-DMX512-8A-RDM

OUTPUT	8A maximum, 4 channels
LOCATION RATING	Indoor only
FUNCTION	RDM communication and PWM dimming for static white, static color, tunable white, and RGB(W) LEDs
CHANNELS	4 channel output, 8 Amp maximum 512 addressable DMX channels
CAPACITY	12V - 96W maximum 24V - 192W maximum
COMPATIBILITY	Compatible with LLI-C-CTRL-DMX controllers

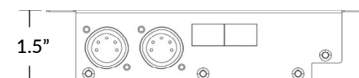
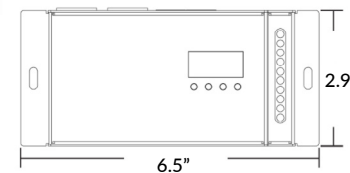


FEATURES

Can be controlled by up to eight (8) controllers. Can be synchronized with twenty (20) decoders.

POWER

Power supply not included. 12V/24V non-dimming power supply required.



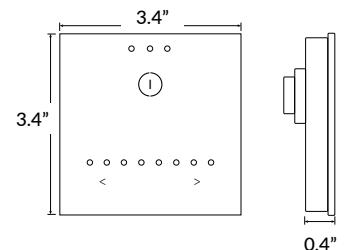
COLOR CHANGING RGBW 5.8W LED TAPELIGHT - IP68

DMX WALL CONTROLLERS (SOLD SEPARATELY)

STAND ALONE DMX WALL CONTROLLER, GU2

LLI-C-CTRL-DMX-STICK-GU2

INCLUDED IN PACKAGE	Controller, CD-ROM, USB cable, connector block, power supply
OS/COMPUTER REQUIREMENTS	Mac OSx 10.6 or higher / Windows XP or higher, USB 2.0 port
PROGRAM SOFTWARE	Easy Stand Alone, ESA2 (included)
CONNECTIONS	Power (2 pins), DMX (3 pins), Port (2 pins), Micro-USB Port
MOUNTING	Single or double gang wall box
IP RATING	IP20 - dry locations only



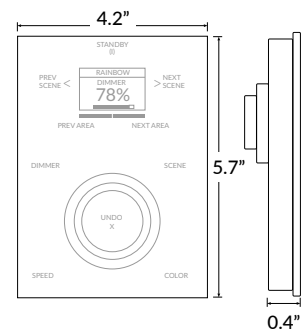
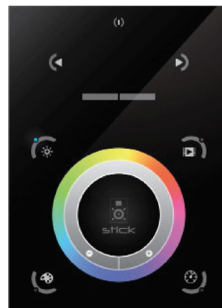
FEATURES

- Up to 24 dynamic or static scenes
- Wall mounted control panel with glass face, touch-sensitive buttons
- Programmable with included USB cable and software – no Ethernet or WiFi required

STAND ALONE DMX WALL CONTROLLER, DE3

LLI-C-CTRL-DMX-STICK-DE3

INCLUDED IN PACKAGE	Controller, connector block, power supply
OS/COMPUTER REQUIREMENTS	Mac OSx 10.6 or higher / Windows XP or higher / iOS phone or tablet / Android phone or tablet
PROGRAM SOFTWARE	Easy Stand Alone, ESA2 (Mac/Windows) DMX Lightpad 3 App (iOS/Android) Easy Remote App (iOS/Android)
CONNECTIONS	Power/DMX - screw terminal and RJ45 compatible Memory - MicroSD slot Programming - MicroUSB port
POWER SUPPLY	6VDC power supply (included)
MEMORY	MicroSD card (not included)
MOUNTING	Single or double gang wall box
IP RATING	IP20 - dry locations only



FEATURES

- Multi-zone microSD memory
- Multi-room control with 500 scenes, 10 zones
- Integrated clock and calendar for scheduling events
- Touch-sensitive buttons
- USB and Ethernet connectivity for programming
- Windows/Mac software for programming dynamic effects
- iPhone/iPad/Android apps for remote control and program

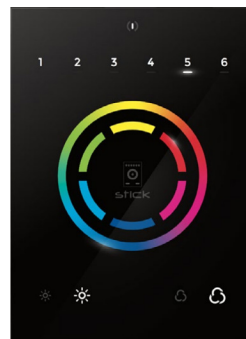
COLOR CHANGING RGBW 5.8W LED TAPELIGHT - IP68

DMX WALL CONTROLLERS (SOLD SEPARATELY)

STAND ALONE DMX WALL CONTROLLER, CW4

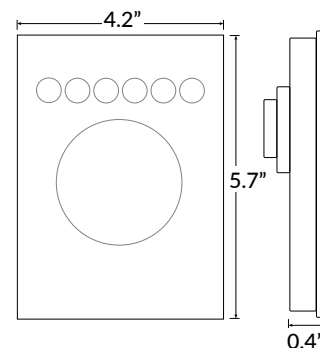
LLI-C-CTRL-DMX-STICK-CW4	FINISH
	<p>BL Black glass</p> <p>WH White glass</p>

INCLUDED IN PACKAGE	Controller, connector block, power supply, mini-USB cable, ESA2 software, ESA Pro2 Software
OS/COMPUTER REQUIREMENTS	Mac OSx 10.6 or higher / Windows XP or higher
PROGRAM SOFTWARE	Easy Stand Alone, ESA2 (Mac/Windows)
CONNECTIONS	Power/DMX - screw terminal and RJ45 Programming - miniUSB port
POWER SUPPLY	Requires 5-10VDC 0.6A power supply (included)
MEMORY	Integrated flash memory
MOUNTING	Single or double gang wall box
IP RATING	IP20 - dry locations only



FEATURES

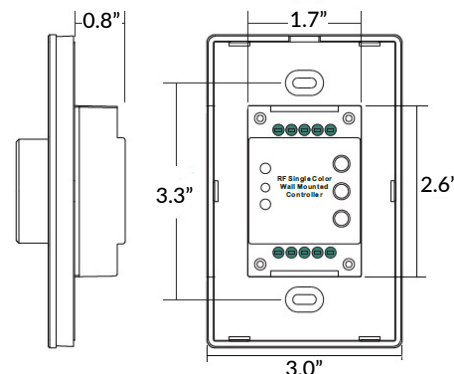
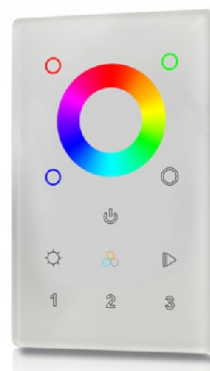
- Can be controlled directly from a computer, smartphone, or tablet
- Touch-sensitive buttons, glass face
- Up to 36 dynamic or static scenes
- 8 port triggers
- 1024 DMX channels control up to 340 RGB fixtures
- Windows/Mac software for programming dynamic effects
- Internal clock and calendar with sunrise/sunset triggering



TOUCH PANEL DMX WALL CONTROLLER

LLI-C-CTRL-DMX-RGBW-TP

LED TAPE COMPATIBILITY	Compatible with 12-24V DC LED tapes
PROTOCOL	DMX512
ZONES	3 zones
INTERFACE	Glass touch control
WARRANTY	5 year limited



POWER

Power supply for controller not included.
12V DC power supply required.